



V E N E T I A N

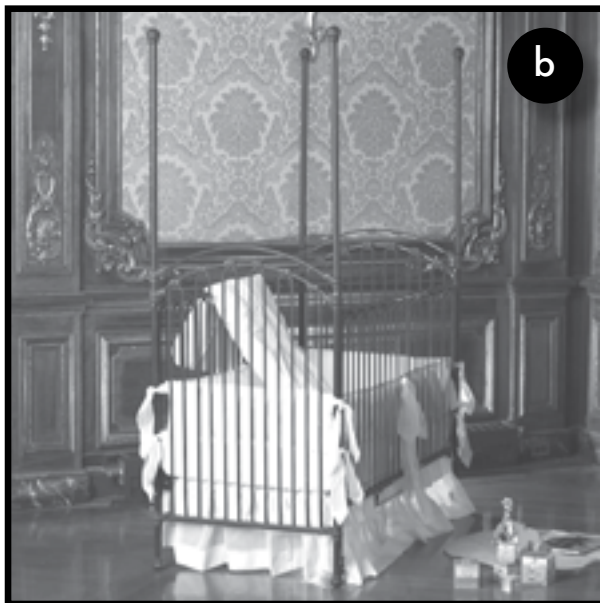
THREE IN ONE CRIB

THIS CRIB CAN BE SET UP AS:

A: AS A LOW CRIB

B. AS A 4 POSTER CRIB

C: AS A CANOPY CRIB



*bedding & mattress not included

HELP!

If you need any assistance with the assembly of this crib, please call our customer service department at 888 242 7288, and a technician will talk you through the entire process.

WARNING:



Bratt Decor

Bratt Decor, Inc.
PO Box 20808
Baltimore, MD
21209
410 327 4600

FAILURE TO FOLLOW THESE WARNINGS AND ASSEMBLY INSTRUCTIONS COULD RESULT IN SERIOUS INJURY OR DEATH.

* Read all instructions before assembling crib.

KEEP INSTRUCTIONS FOR FUTURE USE.

* Before each usage or assembly, inspect crib for damaged hardware, loose joints, missing parts or sharp edges. DO NOT use crib if any parts are missing or broken. Ask your dealer or write to BRATT DECOR, INC. for replacement parts and instructional literature if needed. DO NOT substitute parts.

* After raising side, make sure latches are secure.

* When child is able to climb out or reaches the height of 35" (90 cm), the crib shall no longer be used. Place the child in a youth or regular bed.

* DO NOT place crib near window where cords from blind or drapes may strangle a child.

* If refinishing, use a non-toxic finish specified for children's products.

* DO NOT leave child in crib with side lowered. Be sure side is in raised and locked position whenever child is in crib.

* When child is able to pull to standing position, set mattress to lowest position and remove bumper pads, large toys and other objects that could serve as steps for climbing out.

* Never use plastic shipping bags or other plastic film as mattress covers because they can cause suffocation.

* DO NOT use a water mattress with this crib.

CAUTION:



It is extremely important to make sure all bolts and other fasteners are securely tightened and checked for tightness at least once a week.

WARNING:



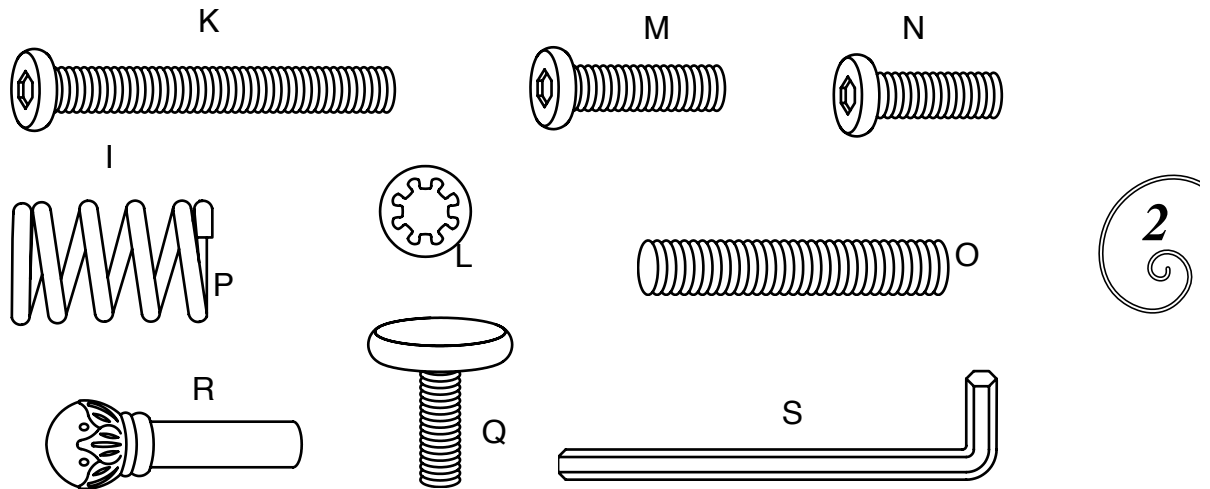
Strings can cause strangulation! Do not place items with a string around a child's neck, such as hood strings or pacifier cords. Do not suspend strings over a crib or attach strings to toys.

LIST OF PARTS:

LARGE COMPONENTS:

- A. 1 LEFT SIDE PIECE (see Figure 1)
- B. 1 RIGH SIDE PIECE (see Figure 1)
- C. 1 BACK OF CRIB (see Figure 1)
- D. 1 STABILIZER/LATCH BAR (see Figure 2)
- E. 1 FRONT GATE (see Figure 4)
- F. 1 MATTRESS SUPPORT (see Figure 3)
- G.2 CHROME SLIDE RODS (see Figure 4)
- H.2 SHORT CANOPY SUPPORT RODS (see Figure 5)
- I. 2 LONG CANOPY SUPPORT RODS (see Figure 5)
- J. 4 CANOPY POSTS (see Figure 5)

FASTENERS IN SMALL BOX: screws shown actual size

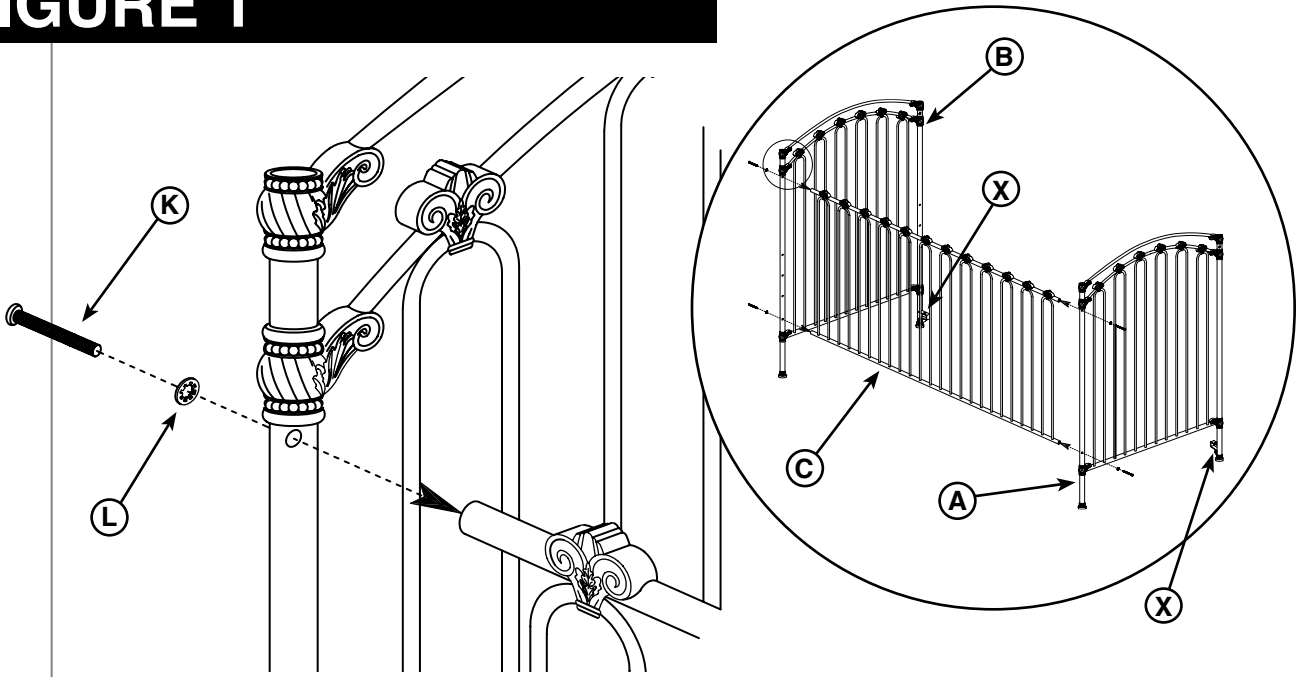


- K. 4 LONG MACHINE SCREWS
- L. 10 STAR WASHERS
- M. 8 MEDIUM MACHINE SCREWS
- N. 2 SHORT MACHINE SCREWS
- O. 4 THREADED RODS
- P. 2 SPRINGS
- Q. 4 THREADED COVER DISCS
- R. 4 FINIALS

TOOLS NEEDED:

- S. 1 ALLEN WRENCH (provided)

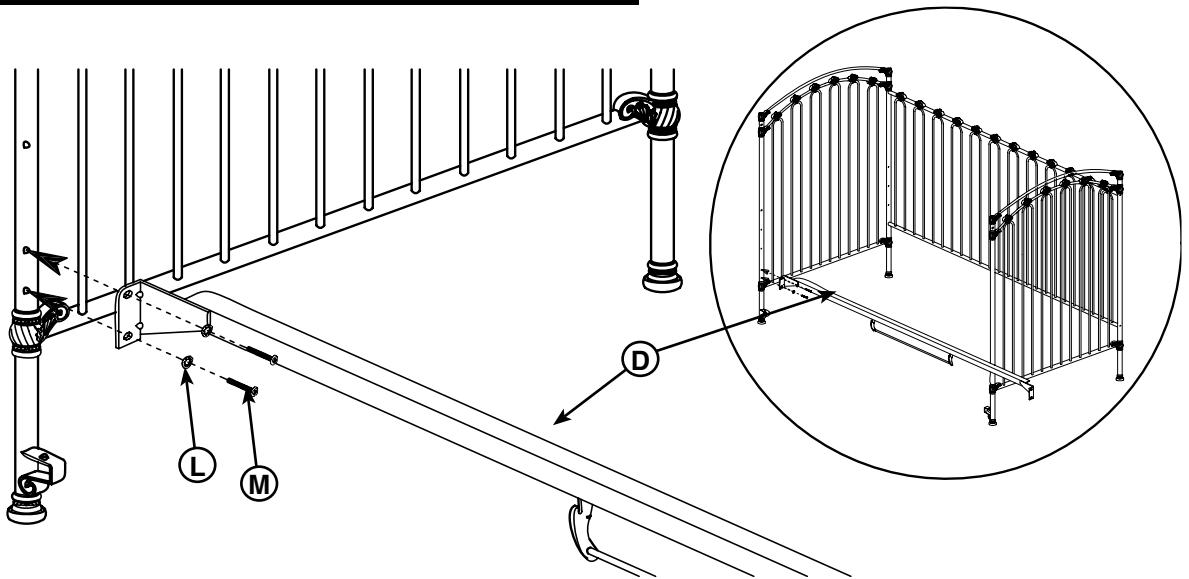
FIGURE 1



Using the allen wrench (S), attach back piece (C) to side pieces (A) and (B) as indicated using 4 long machine screws (K) and the star washers (L). Make sure that the brackets (X) on the bottom of the side pieces are pointing inside the crib.

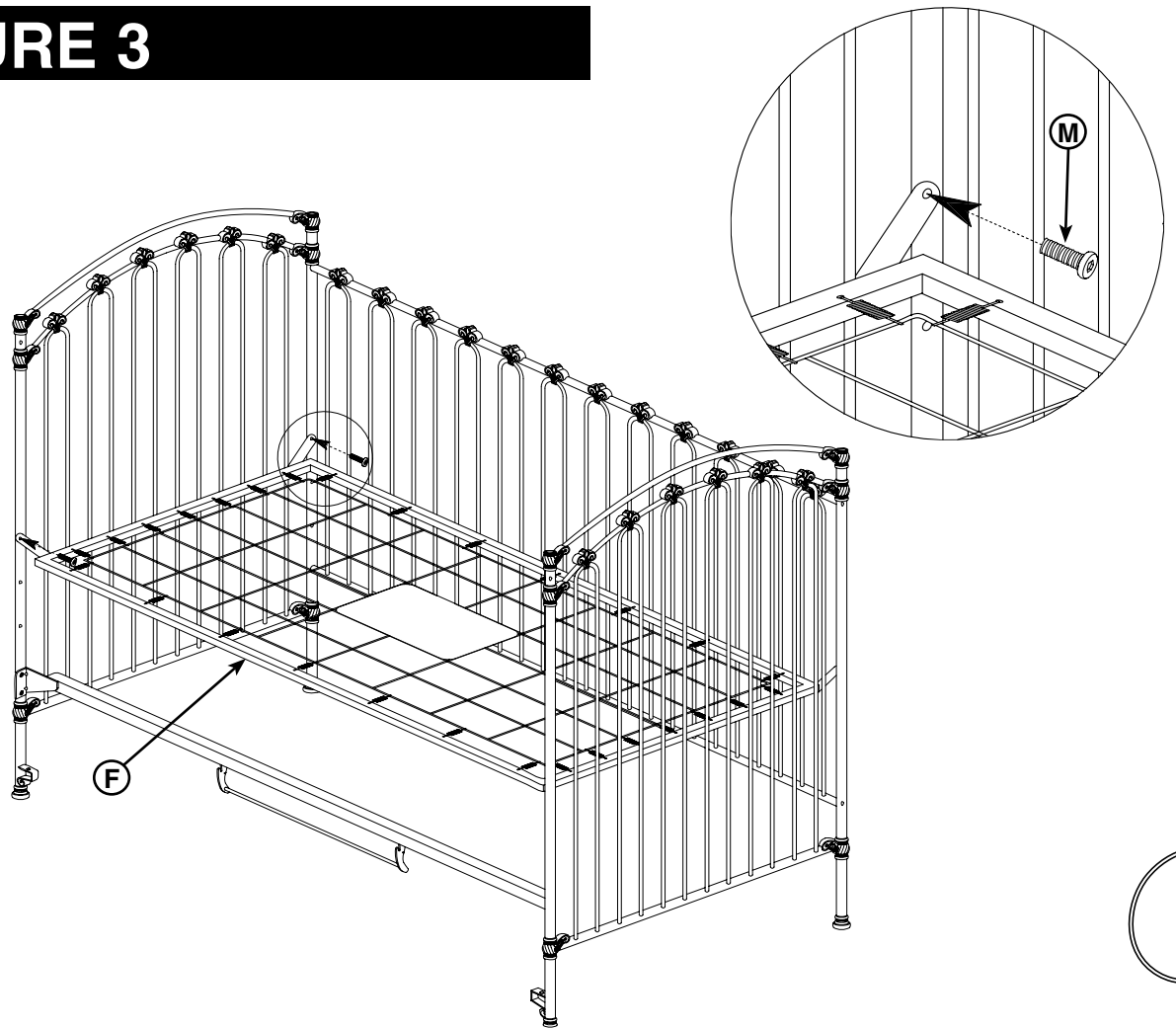
3

FIGURE 2



Using the allen wrench (S), attach the stabilizer/latch bar (D) to the front of the crib using the medium machine screws (M) and 4 star washers (L).

FIGURE 3



4

Decide which level is appropriate for your child using the following guidelines as set forth by the American Academy of Pediatrics:

LEVEL (1) highest position

To be used by newborns, until shortly before they can sit alone. Under no circumstances should the mattress support be in its highest position after the child can sit.

LEVEL (2) middle position

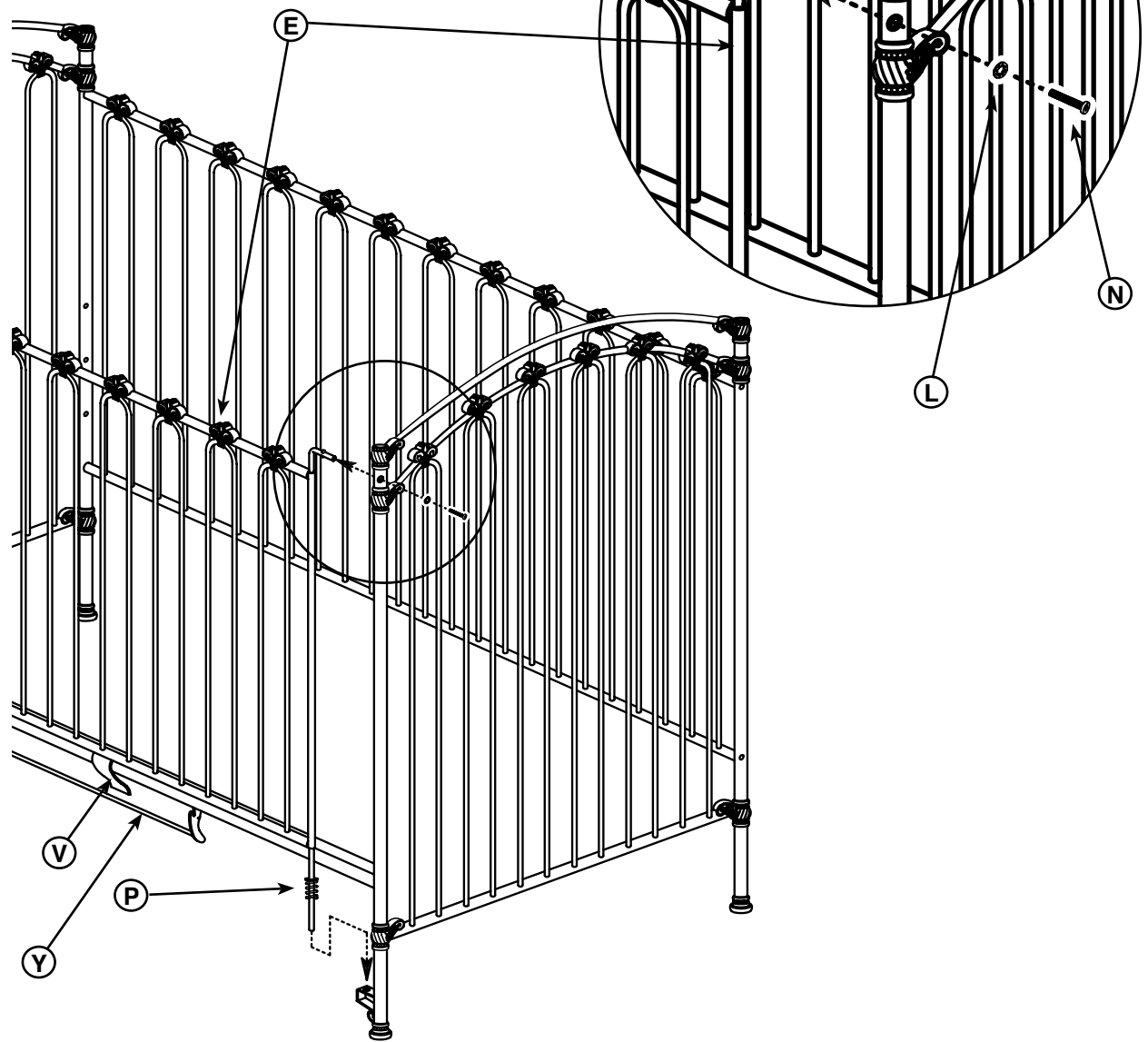
To be used by babies who can sit, until shortly before they can stand. Under no circumstances should the mattress support be in the middle position after the child can stand.

LEVEL (3) lowest position

The mattress support must be in its lowest position before the baby can stand. Under no circumstances should the child be allowed to use this crib when they reach 35 inches tall.

Now attach the mattress support (F) in the appropriate position. Attach the mattress support to the crib using 4 medium machine screws (M). Use the allen wrench (S) provided. Make sure that the screws are tight. Be sure to keep this tool in a safe place, as you will need it to lower the mattress support in the future.

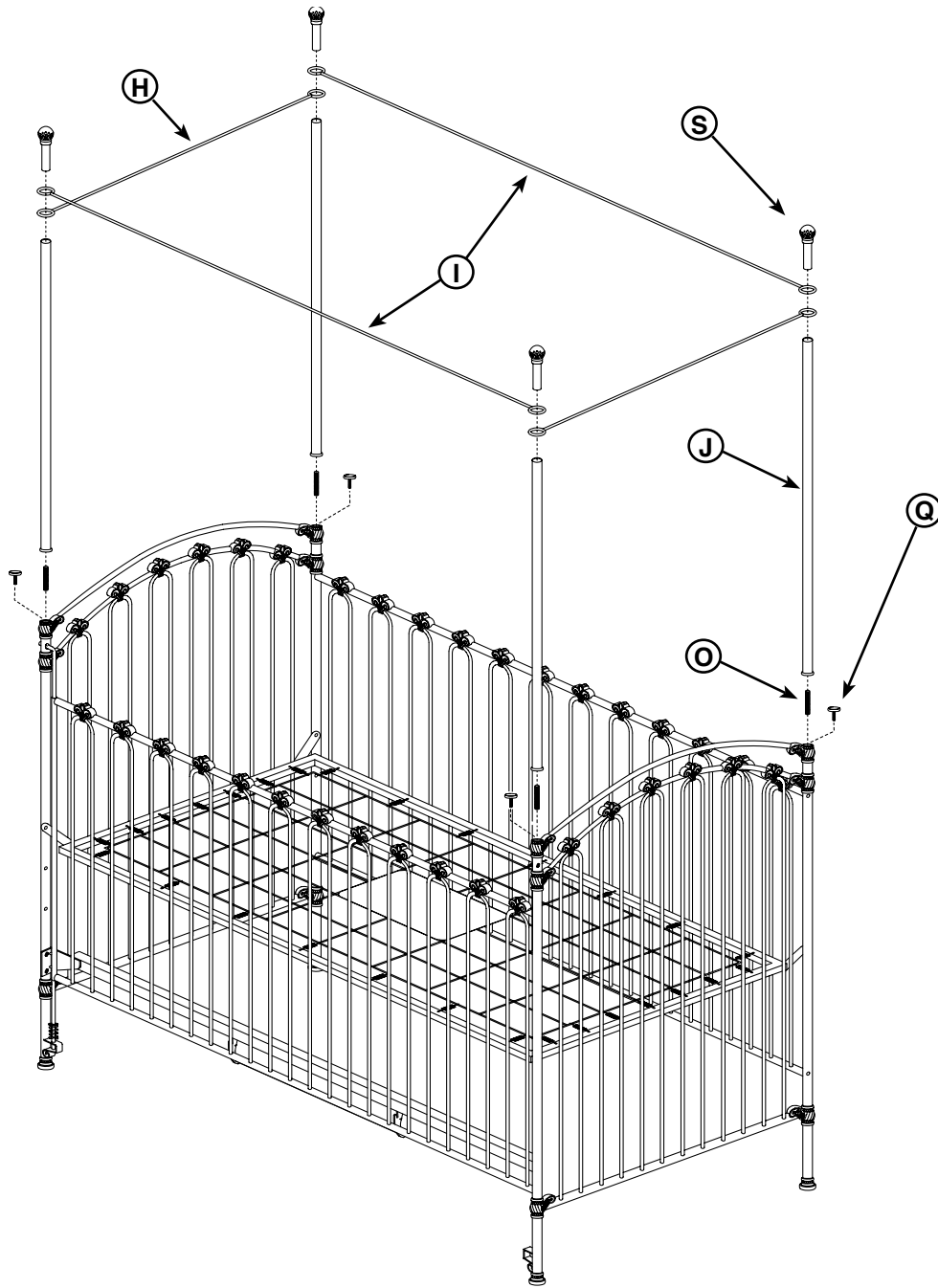
FIGURE 4



Install the front gate (E) as shown, latch plate (V) pointing inside. Insert the slide rods (G) through the tubes on the gate, and place the springs (P) onto the bottom of the slide rods before inserting it into the bottom brackets of the crib. Insert the top ends of the slide rod into the top holes of the side pieces and attach them using the short machine screws (N) and star washers (L).

Check all screws to make sure that they are tight. Raise the front gate until the latch mechanism engages. To lower the front gate, first, lift the gate slightly, then press in the front latch release (Y) with your foot, lower the gate carefully until it rests on the springs. Lubricate the slide rods from time to time with a child friendly lubricant (Vaseline, olive oil etc.).

FIGURE 5 select A, B or C



6

A. Low crib setup: If you choose not to set up this crib as a 4 poster, or canopy, attach the threaded disc covers (Q) to the top of the corner posts. Tighten (Q) by hand. Assembly is now complete.

B. 4 poster crib setup: Attach a canopy pole (J) to each of the 4 corner posts using a threaded rod (O). Insert a finial (S) into the top of each pole. Assembly is now complete.

C. Canopy crib setup: Follow setup B, but use the finials (S) to attach the canopy support rods (H & I). Assembly is now complete.

MAINTENANCE

Once a week inspect the crib for any damaged hardware, loose joints, missing parts or sharp edges. Discontinue using the crib if any parts are missing or broken, contact Bratt Decor, Inc. for replacement parts if needed.

Cleaning: if crib is dirty, wipe with a cloth dampened with warm water. Do not use solvents.

Storage: store in a dry place.

Warning: if this crib is not purchased new, do not use it until you have contacted Bratt Decor, Inc. To find out if the crib conforms to the current safety standards.

Place these assembly instructions and the hex tool in the clear vinyl bag attached to the mattress support. You will need these assembly instructions every time you assemble this crib.

CAUTION:

ANY MATTRESS USED IN THIS CRIB MUST BE AT LEAST 27 1/4 INCHES BY 51 5/8 INCHES WITH A THICKNESS NOT EXCEEDING 6 INCHES.

ANY MATTRESS USED IN THIS CRIB MUST BE AT LEAST 69 CENTERMETERS BY 131 CENTERMETERS WITH A THICKNESS NOT EXCEEDING 15 CENTERMETERS.

7

C O D E : C V 0 1 - 1