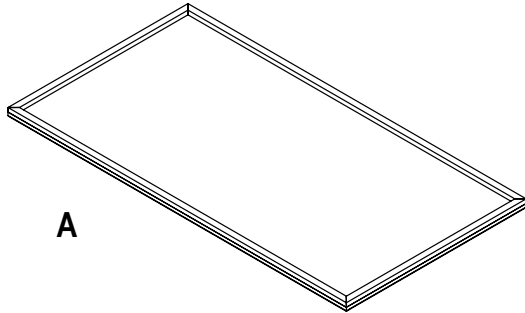
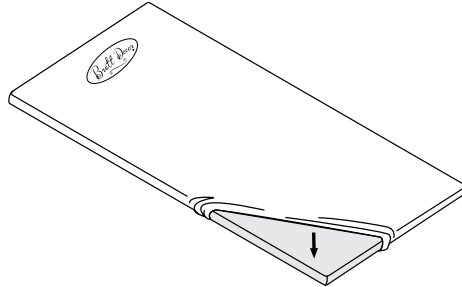




c l a s s i c c h a n g i n g c h e s t

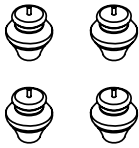


A

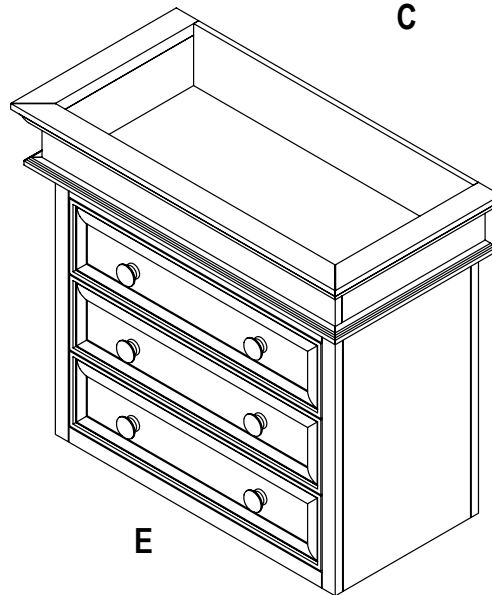


B

C



D



E

Large Components

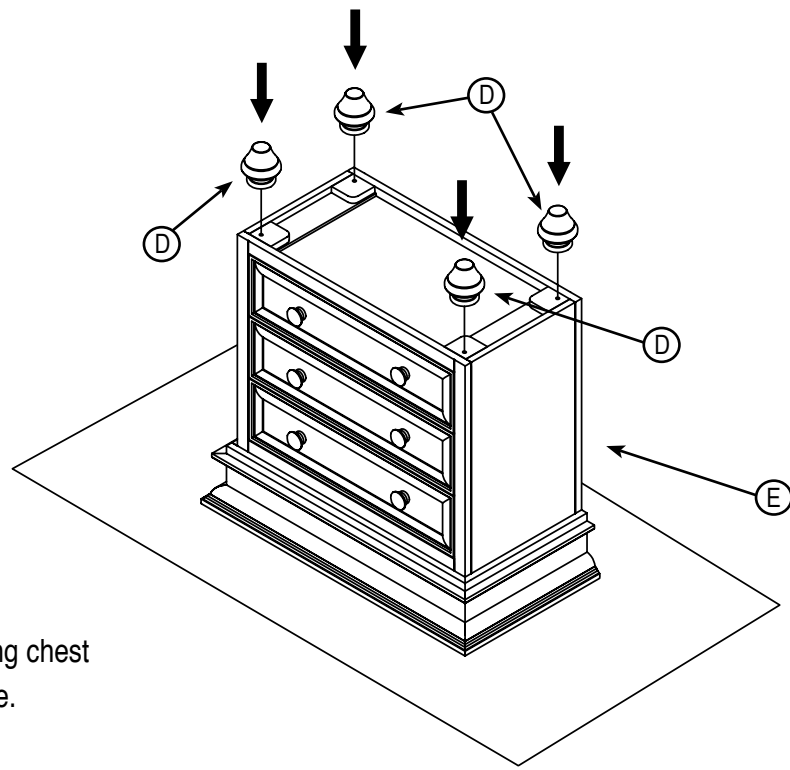
A	Changing Chest Cover	1
B	Terry Cloth Pad Cover	1
C	Changing Pad	1
D	Legs	4
E	Changing Chest	1



FAILURE TO FOLLOW THESE WARNINGS AND ASSEMBLY INSTRUCTIONS COULD RESULT IN SERIOUS INJURY OR DEATH.

- * FALL HAZARD – To prevent death or serious injury, always keep child within arm's reach.
- * Always secure this pad in the appropriate area of the changing chest by following these assembly instructions.
- * Read all instructions before assembling the changing chest.
- * Read all instructions before use of the changing chest.
- * Keep instructions for future use.
- * Once a week inspect the changing chest for any damaged hardware, loose joints, missing parts or sharp edges. Discontinue using the changing tray if any parts are missing or broken, contact Bratt Decor, Inc. for replacement parts if needed.
- * When child's weight reaches 30 lbs. or 13.6 kg, the changing chest shall no longer be used.
- * Should you choose to use a changing pad in this changing chest, pad must be 16 inches by 32 inches by 1 inch or use provided pad.
- * Cleaning: if changing tray is dirty, wipe with a cloth dampened with warm water. Do not use solvents.
- * Store in a dry place.
- * This changing chest conforms to ASTM F2388-09

1



Complete step 1 with changing chest upside down on a soft surface.

2

