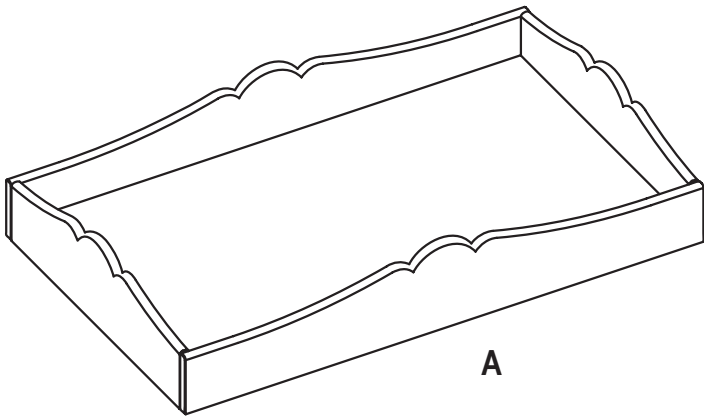
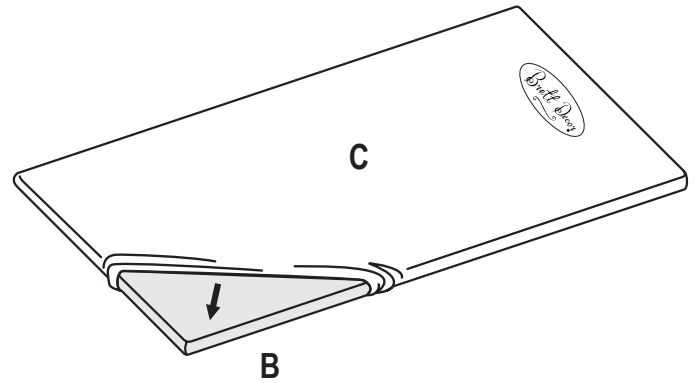


# Bratt Decor®

## c h e l s e a   c h a n g i n g   t r a y



A

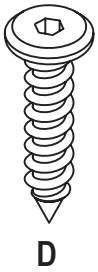


B

C

### Large Components

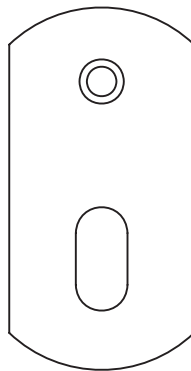
A	Changing Tray	1
B	Padding	1
C	Terry Cloth Pad Cover	1



D



E



F

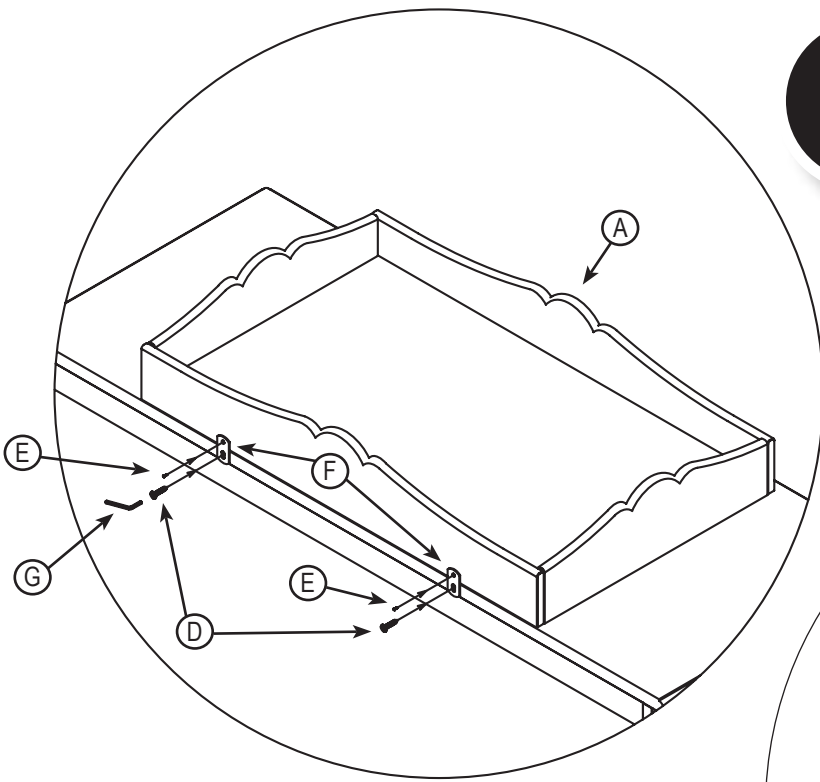


G

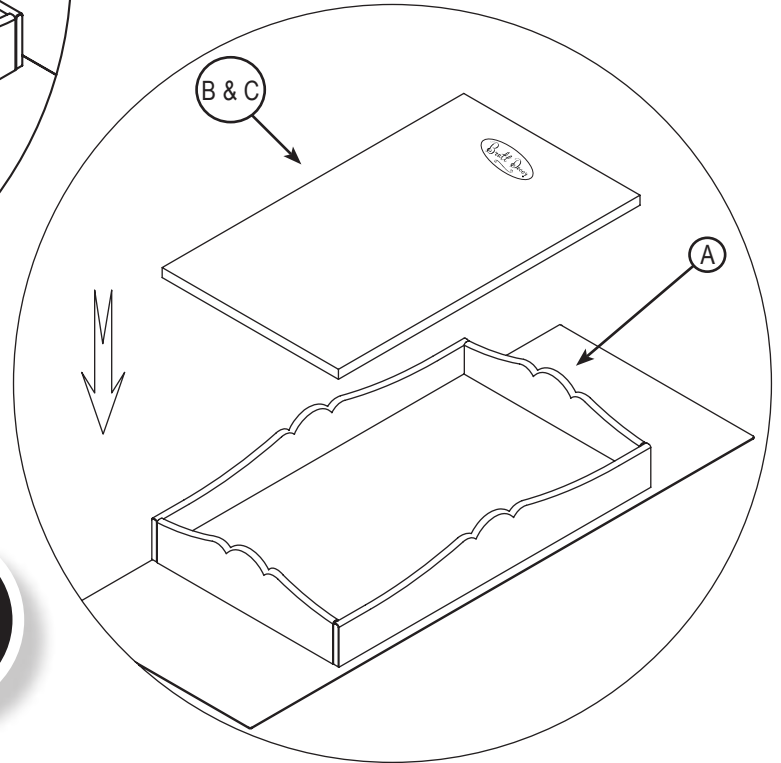
### Fasteners

D	Hex Wood Screws	2
E	Wood Screws	2
F	Metal Brackets	2
G	Hex Tool	1

# 1



# 2



## **⚠ WARNING:**

**FAILURE TO FOLLOW THESE WARNINGS AND ASSEMBLY INSTRUCTIONS COULD RESULT IN SERIOUS INJURY OR DEATH.**

- \* FALL HAZARD – To prevent death or serious injury, always keep child within arm's reach.
- \* Always secure this pad in the appropriate area of the changing tray and attach the changing tray to the changing surface by following these assembly instructions.
- \* Attach changing tray to a level, stable and structurally sound surface with minimum dimensions of 43" x 23".
- \* Read all instructions before assembling the changing tray.
- \* Read all instructions before use of the changing tray.
- \* Keep instructions for future use.
- \* Once a week inspect the changing tray for any damaged hardware, loose joints, missing parts or sharp edges. Discontinue using the changing tray if any parts are missing or broken, contact Bratt Decor, Inc. for replacement parts if needed.
- \* When child's weight reaches 30 lbs. or 13.6 kg, the changing tray shall no longer be used.
- \* Should you choose to use a changing pad in this changing tray, pad must be 16 inches by 32 inches by 1 inch or use provided pad.
- \* Cleaning: if changing tray is dirty, wipe with a cloth dampened with warm water. Do not use solvents.
- \* Store in a dry place.
- \* This changing tray conforms to ASTM F2388-15