

# “dick”

t o d d l e r b e d



This crib conforms  
to the standards of  
the U.S. Product  
Consumer Safety  
Commission.

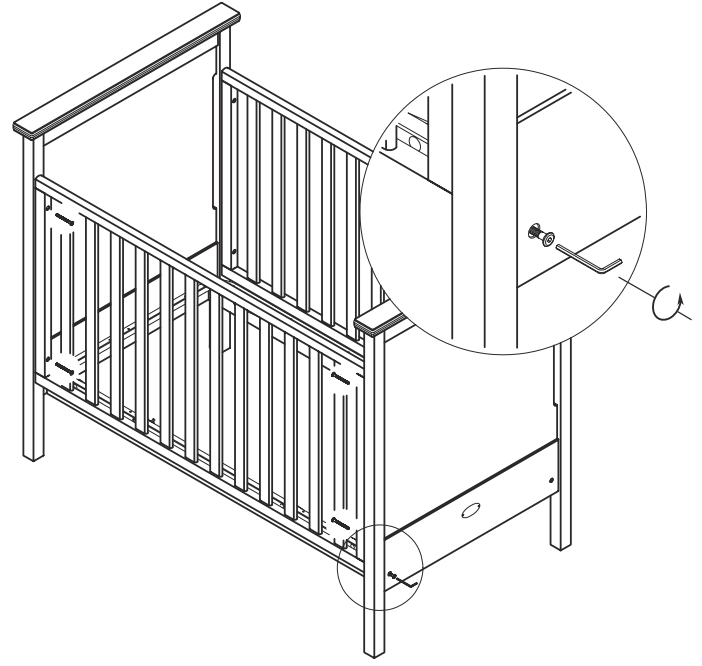


Model #  
DK01XTB-3

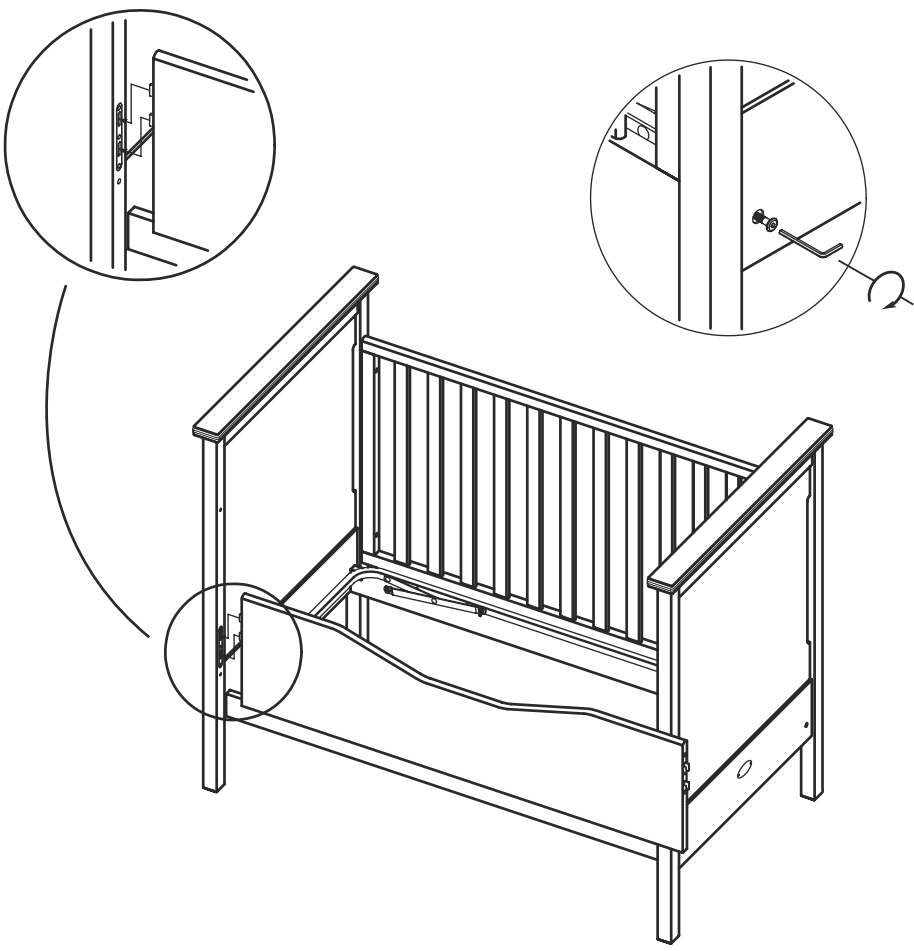
1



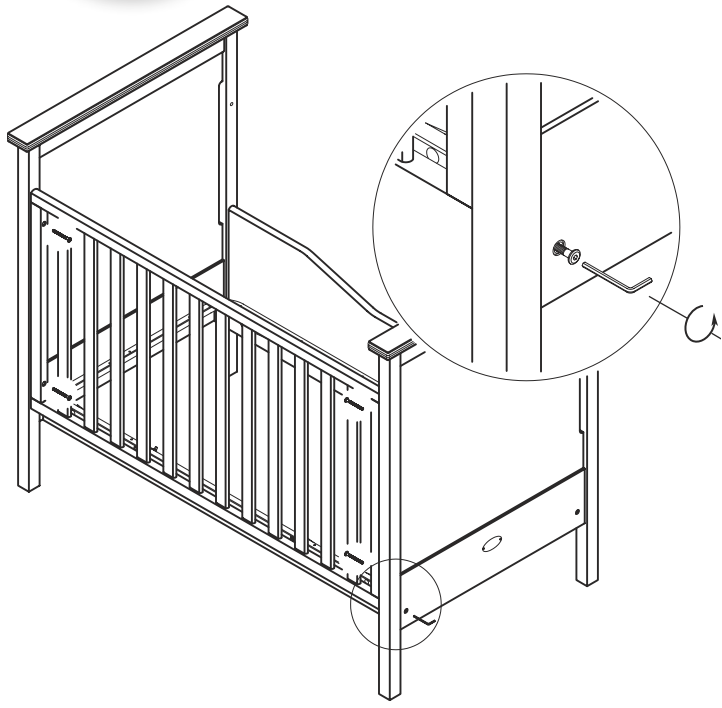
2



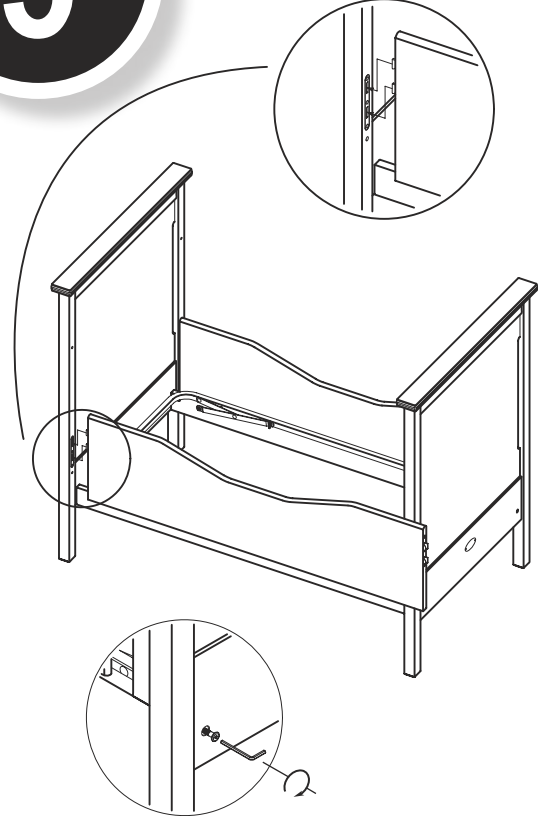
3



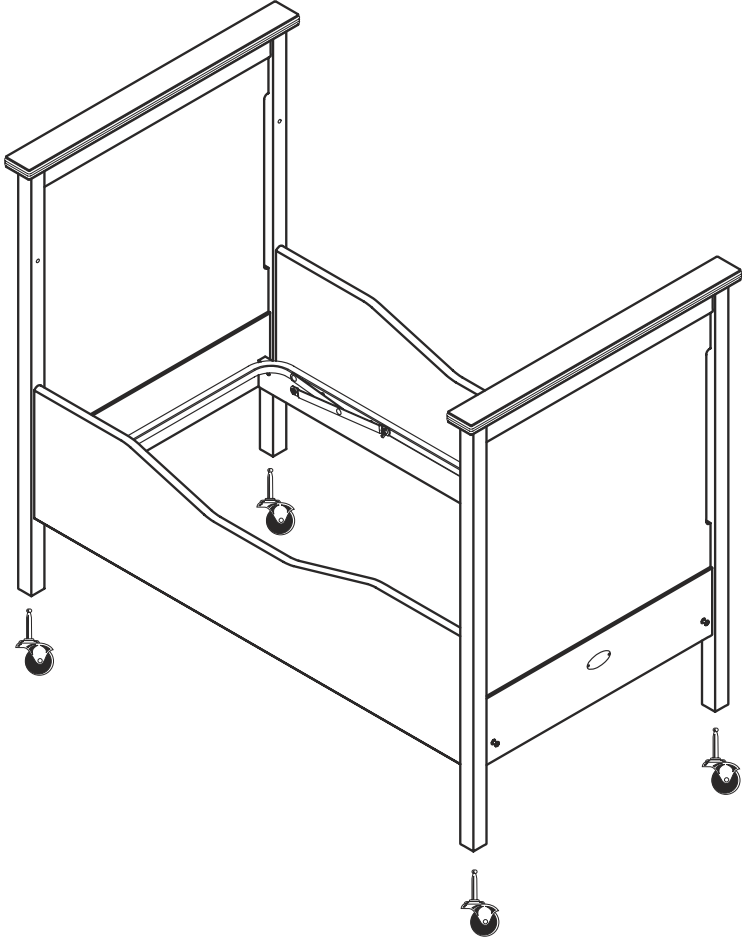
4



5



6





## **WARNING:**

**FAILURE TO FOLLOW THESE WARNINGS AND ASSEMBLY INSTRUCTIONS COULD RESULT IN SERIOUS INJURY OR DEATH.**

\* Read all instructions before assembling crib.

### **KEEP INSTRUCTIONS FOR FUTURE USE.**

\* Before each usage or assembly, inspect crib for damaged hardware, loose joints, missing parts or sharp edges. DO NOT use crib if any parts are missing or broken. Ask your dealer or write to BRATT DECOR, INC. for replacement parts and instructional literature if needed. DO NOT substitute parts.

\* After raising side, make sure latches are secure.

\* When child is able to climb out or reaches the height of 35" (90 cm), the crib shall no longer be used.

\* DO NOT place crib near window where cords from blind or drapes may strangle a child.

\* If refinishing, use a non-toxic finish specified for children's products.

\* DO NOT leave child in crib with side lowered. Be sure side is in raised and locked position whenever child is in crib.

\* When child is able to pull to standing position, set mattress to lowest position and remove bumper pads, large toys and other objects that could serve as steps for climbing out.

\* Never use plastic shipping bags or other plastic film as mattress covers because they can cause suffocation.

\* DO NOT use a water mattress with this crib.

## **CAUTION:**

It is extremely important to make sure all bolts and other fasteners are securely tightened and checked for tightness at least once a week.



## **WARNING:**

Strings can cause strangulation! Do not place items with a string around a child's neck, such as hood strings or pacifier cords. Do not suspend strings over a crib or attach strings to toys.

## **CAUTION:**

**ANY MATTRESS USED IN THIS CRIB MUST BE AT LEAST 27 1/4 INCHES BY 51 5/8 INCHES WITH A THICKNESS NOT EXCEEDING 6 INCHES.**

## **WARNING:**

**Canadian clients**

Do not use this crib if the enclosed or attached instructions cannot be strictly adhered to. Do not use this crib if the child is able to climb out unaided or is taller than 90 cm. Do not place cords, straps or similar items that could become wound around the child's neck in or near this crib. Ensure that the sides are properly latched or locked in place when the crib is occupied. The mattress used with this crib should not be more than 15 cm thick and should be of such length and width that the gap between the mattress and the sides of the crib is not more than 3 cm when the mattress is pushed into the corner of the crib.

## **MISE EN GARDE:**

**Clients Canadiens**

Ne pas utiliser le lit d'enfant à moins d'être en mesure de respecter rigoureusement le mode d'emploi ci-joint ou apposé sur le produit. Ne pas utiliser le lit d'enfant si l'enfant est capable d'en sortir sans aide ou si l'enfant mesure plus de 90 cm. Ne pas mettre dans le lit, ou à proximité du lit, des cordes, courroies ou objets semblables qui pourraient s'enrouler autour du de l'enfant. S'assurer que les côtés sont bien enclenchés ou verrouillés lorsque l'enfant est placé dans le lit. L'épaisseur du matelas utilisé dans le lit ne doit pas être supérieure à 15 cm, et sa longueur et sa largeur doivent être telles que l'espace entre le matelas et les côtés du lit ne soit pas supérieur à 3 cm lorsque le matelas est poussé dans un des coins.