

# “park avenue”

b a b y c r i b

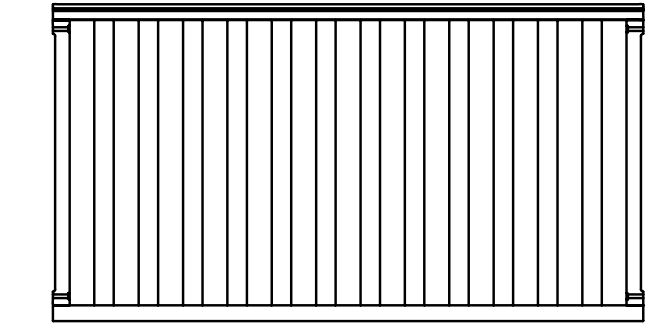
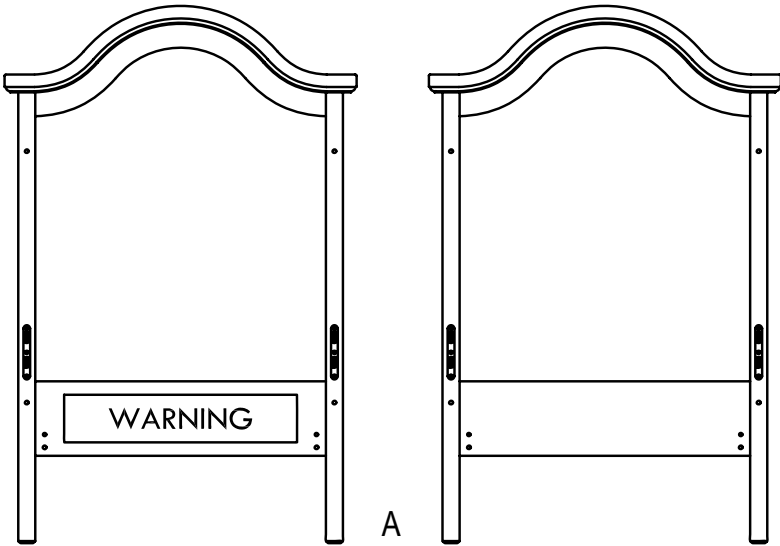


This crib conforms to the standards of the U.S. Consumer Product Safety Commission.

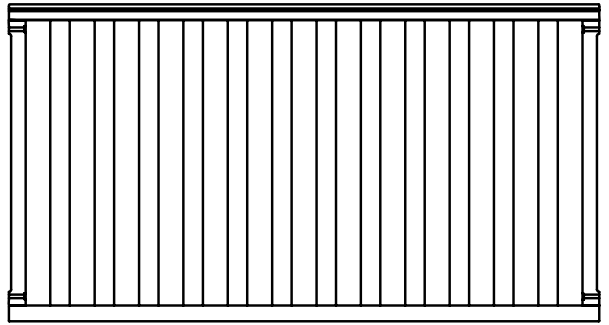


Style #  
BD - MH 0 2 - 1  
Made in Vietnam

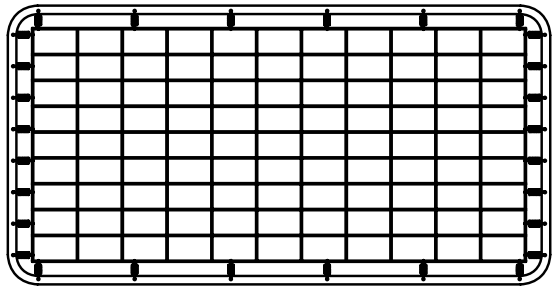
# LARGE COMPONENTS AND FASTENERS



B



C



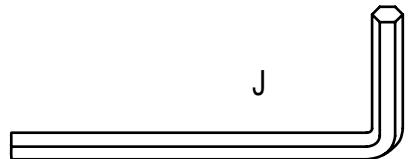
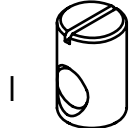
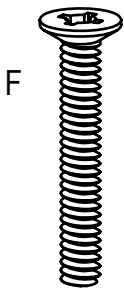
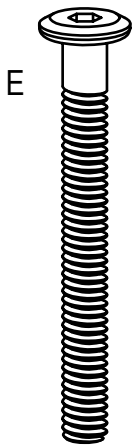
D

### Large Components

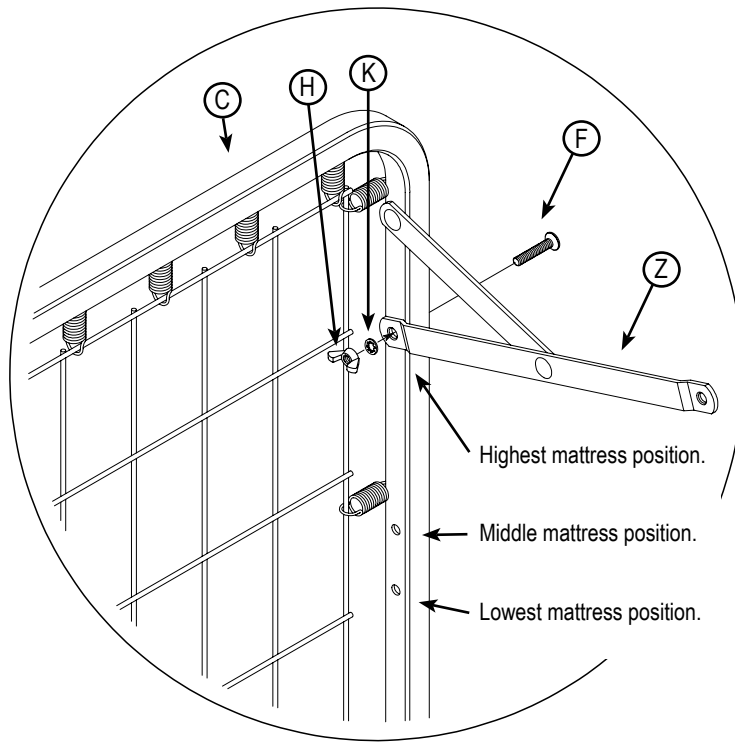
A	Head Board	2
B	Gate	2
C	Mattress Support	1
D	Stabilizer Bars	2

### Fasteners

E	Long Hex Machine Screws	12
F	Medium Phillips Machine Screws	4
G	Small Hex Machine Screws	4
H	Wing Nuts	4
I	Metal Cross Dowels	4
J	Hex Tool	1
K	Star Washers	20



# 1



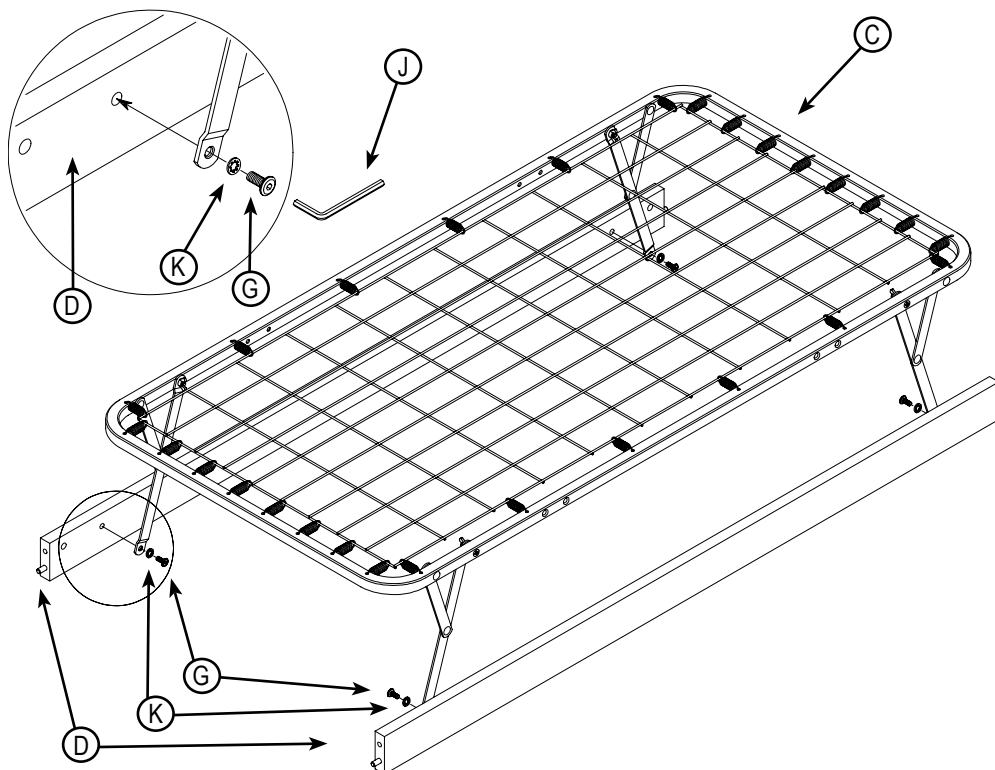
Position the Mattress Support Legs (Z) as shown (follow the guide below for the correct height for your child) and install the Medium Machine Screw (F), Star Washer (I) and the Wing Nut (H). Tighten by hand. Repeat on the remaining 3 Legs.

Please use the following guidelines as set forth by the American Academy of Pediatrics to decide which level is appropriate for your child:

## Mattress Positions:

- LEVEL (1) highest position To be used by newborns, until shortly before they can sit alone. Under no circumstances should the mattress support be in its highest position after the child can sit.
- LEVEL (2) middle position To be used by babies who can sit, until shortly before they can stand. Under no circumstances should the mattress support be in the middle position after the child can stand.
- LEVEL (3) lowest position The mattress support must be in its lowest position before the baby can stand.

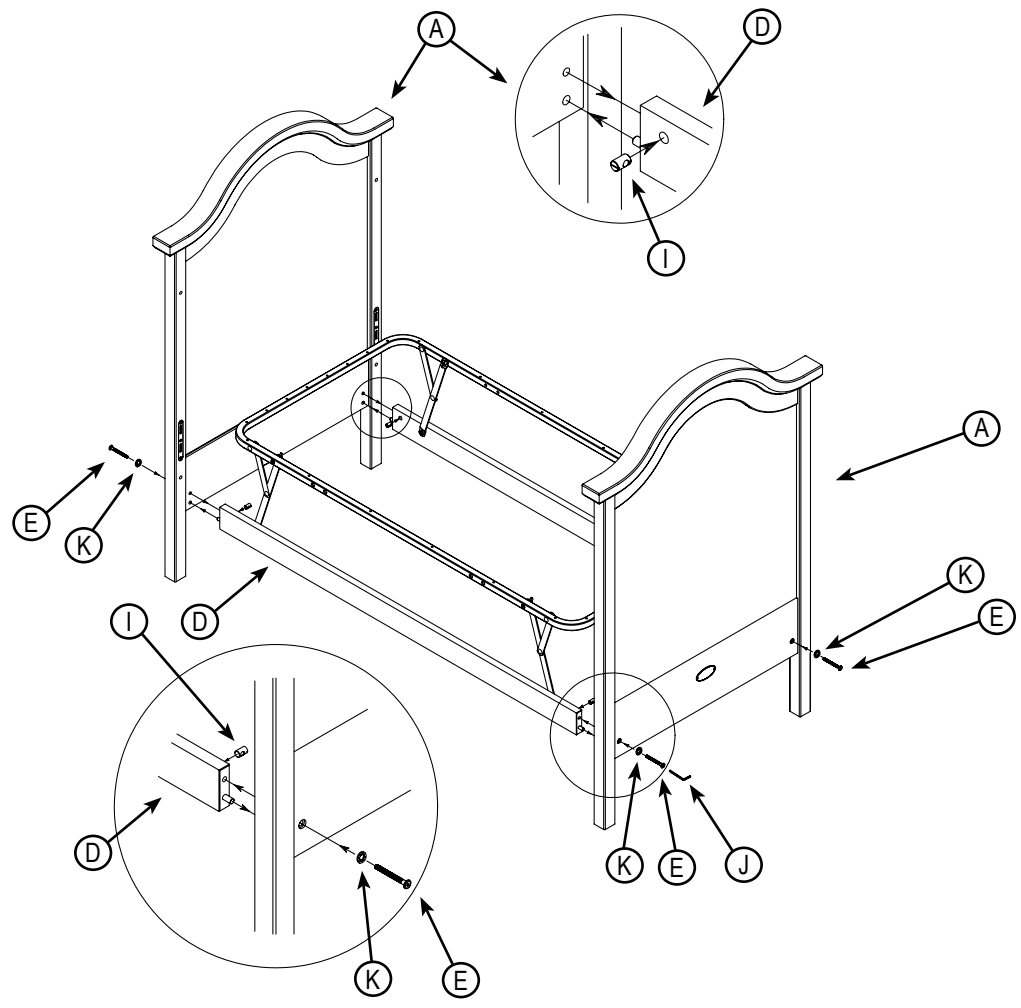
**Under no circumstances should the child be allowed to use this crib when they reach 35 inches tall.**



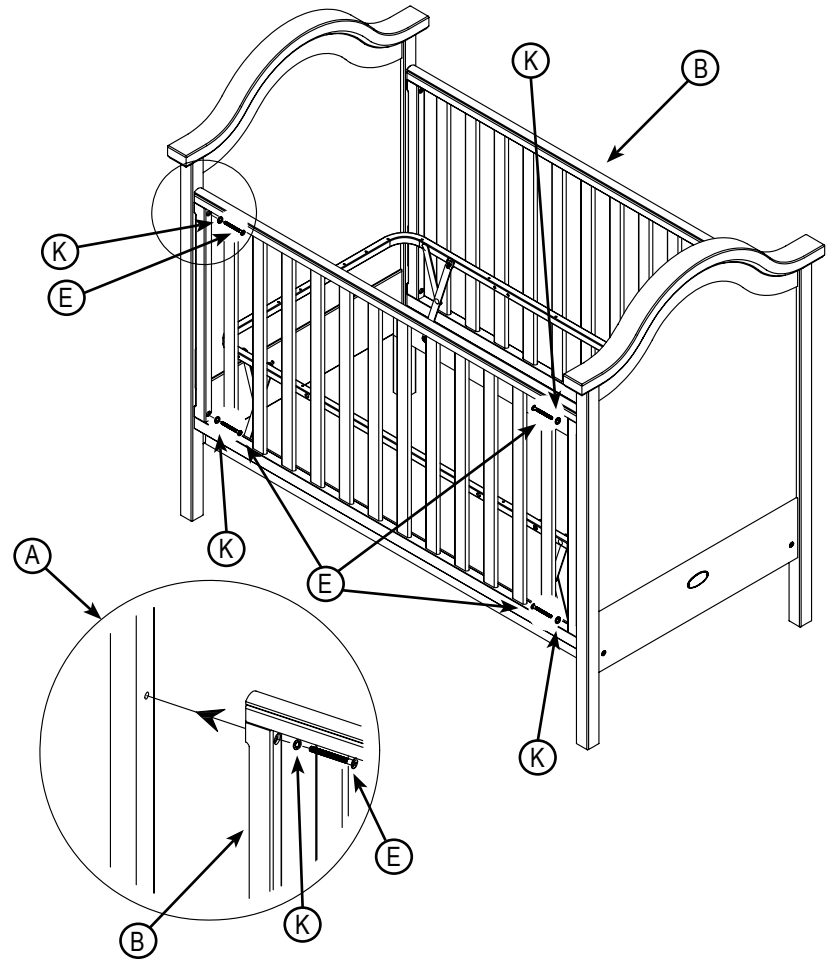
# 2

# 3

# 3



# 4



5



### Maintenance:

Once a week inspect the crib for any damaged hardware, loose joints, missing parts or sharp edges. Discontinue using the crib if any parts are missing or broken, contact Bratt Decor, Inc. for replacement parts if needed.

Cleaning: if crib is dirty, wipe with a cloth dampened with warm water. **Do not use solvents. Storage: store in a dry place.**

Warning: If this crib is not purchased new, do not use it until you have contacted Bratt Decor, Inc. to find out if the crib conforms to the current safety standards.

**Place these assembly instructions and the hex tool in the bag provided on the mattress support. You will need these assembly instructions every time you assemble this crib.**

## **⚠️ WARNING:**

**FAILURE TO FOLLOW THESE WARNINGS AND ASSEMBLY INSTRUCTIONS COULD RESULT IN SERIOUS INJURY OR DEATH.**

- \* Read all instructions before assembling crib. KEEP INSTRUCTIONS, IN POUCH PROVIDED, FOR FUTURE USE.
- \* Infants can suffocate on soft bedding. Never add pillow or comforter. Never place additional padding under an infant.
- \* To reduce the risk of SIDS, pediatricians recommend healthy infants be placed on their backs to sleep, unless otherwise advised by your physician.
- \* Strangulation Hazard: Strings can cause strangulation! Do not place items with a string around a child's neck, such as hood strings or pacifier cords. Do not suspend strings over a crib or attach strings to toys.
- \* To help prevent strangulation tighten all fasteners. A child can trap parts of the body or clothing on loose fasteners.
- \* DO NOT place crib near window where cords from blinds or drapes may strangle a child.
- \* Fall Hazard: When child is able to pull to a standing position, set mattress to lowest position and remove bumper pads, large toys and other objects that could serve as steps for climbing out.
- \* Stop using crib when child begins to climb out or reaches the height of 35 in. (89 cm).
- \* Check this product for damaged hardware, loose joints, loose bolts or other fasteners, missing parts or sharp edges before and after assembly and frequently during use. Securely tighten loose bolts and other fasteners. DO NOT use crib if any parts are missing, damaged or broken. Contact Bratt Decor, Inc. for replacement parts and instructional literature if needed. DO NOT substitute parts.
- \* If refinishing, use a non-toxic finish specified for children's products.
- \* Follow warnings on all products in a crib.
- \* Never use plastic shipping bags or other plastic film as mattress covers because they can cause suffocation.
- \* Infants can suffocate in gaps between crib sides and a mattress that is too small.

## **CAUTION:**

**ANY MATTRESS USED IN THIS CRIB SHALL BE AT LEAST 27 1/4 BY 51 5/8 INCHES WITH A THICKNESS NOT EXCEEDING 6 INCHES.**

## **WARNING:**

**Canadian clients**

Do not use this crib if the enclosed or attached instructions cannot be strictly adhered to. Do not use this crib if the child is able to climb out unaided or is taller than 90 cm. Do not place cords, straps or similar items that could become wound around the child's neck in or near this crib. Ensure that the sides are properly latched or locked in place when the crib is occupied. The mattress used with this crib should not be more than 15 cm thick and should be of such length and width that the gap between the mattress and the sides of the crib is not more than 3 cm when the mattress is pushed into the corner of the crib.

## **MISE EN GARDE:**

**Canadian clients**

Ne pas utiliser le lit d'enfant à moins d'être en mesure de respecter rigoureusement le mode d'emploi ci-joint ou apposé sur le produit. Ne pas utiliser le lit d'enfant si l'enfant est capable d'en sortir sans aide ou si l'enfant mesure plus de 90 cm. Ne pas mettre dans le lit, ou à proximité du lit, des cordes, courroies ou objets semblables qui pourraient s'enrouler autour du de l'enfant. S'assurer que les côtés sont bien enclenchés ou verrouillés lorsque l'enfant est placé dans le lit. L'épaisseur du matelas utilisé dans le lit ne doit pas être supérieure à 15 cm, et sa longueur et sa largeur doivent être telles que l'espace entre le matelas et les côtés du lit ne soit pas supérieur à 3 cm lorsque le matelas est poussé dans un des coins.