

“manhattan”

b o o k c a s e

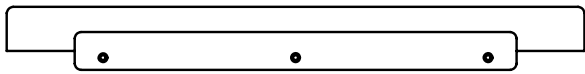


Style #
B D - M H 3 1 - 1

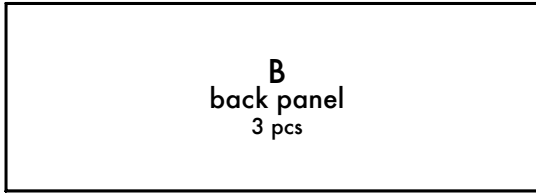
W A R N I N G

To prevent serious or fatal injury from falls, always secure the bookcase to a wall using an “anti-tipping” device.

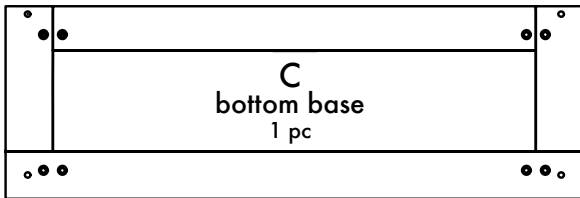
LARGE COMPONENTS



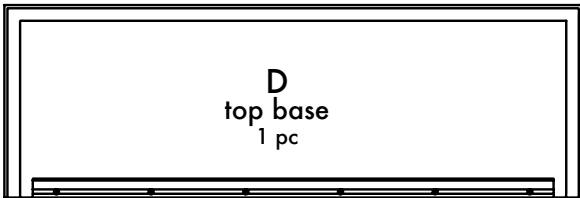
A
top back panel
1 pc



B
back panel
3 pcs



C
bottom base
1 pc



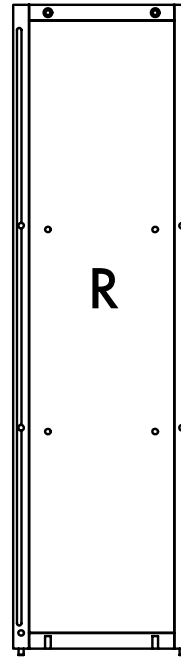
D
top base
1 pc



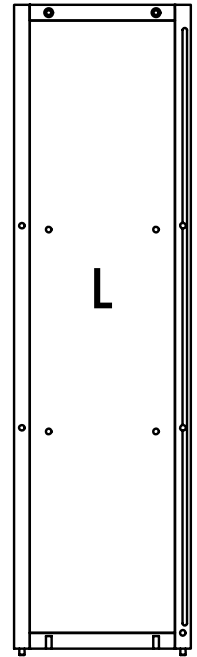
E
back bottom bar
1 pc



F
legs
4 pcs

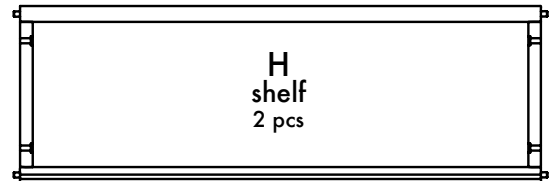


R



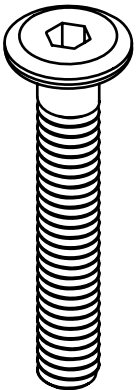
L

G
side frame
2 pcs

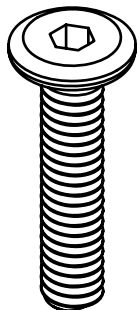


H
shelf
2 pcs

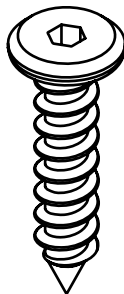
FASTENERS



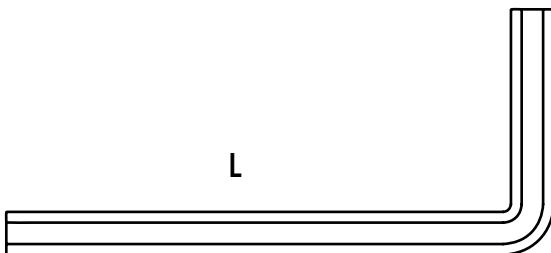
I



J



K



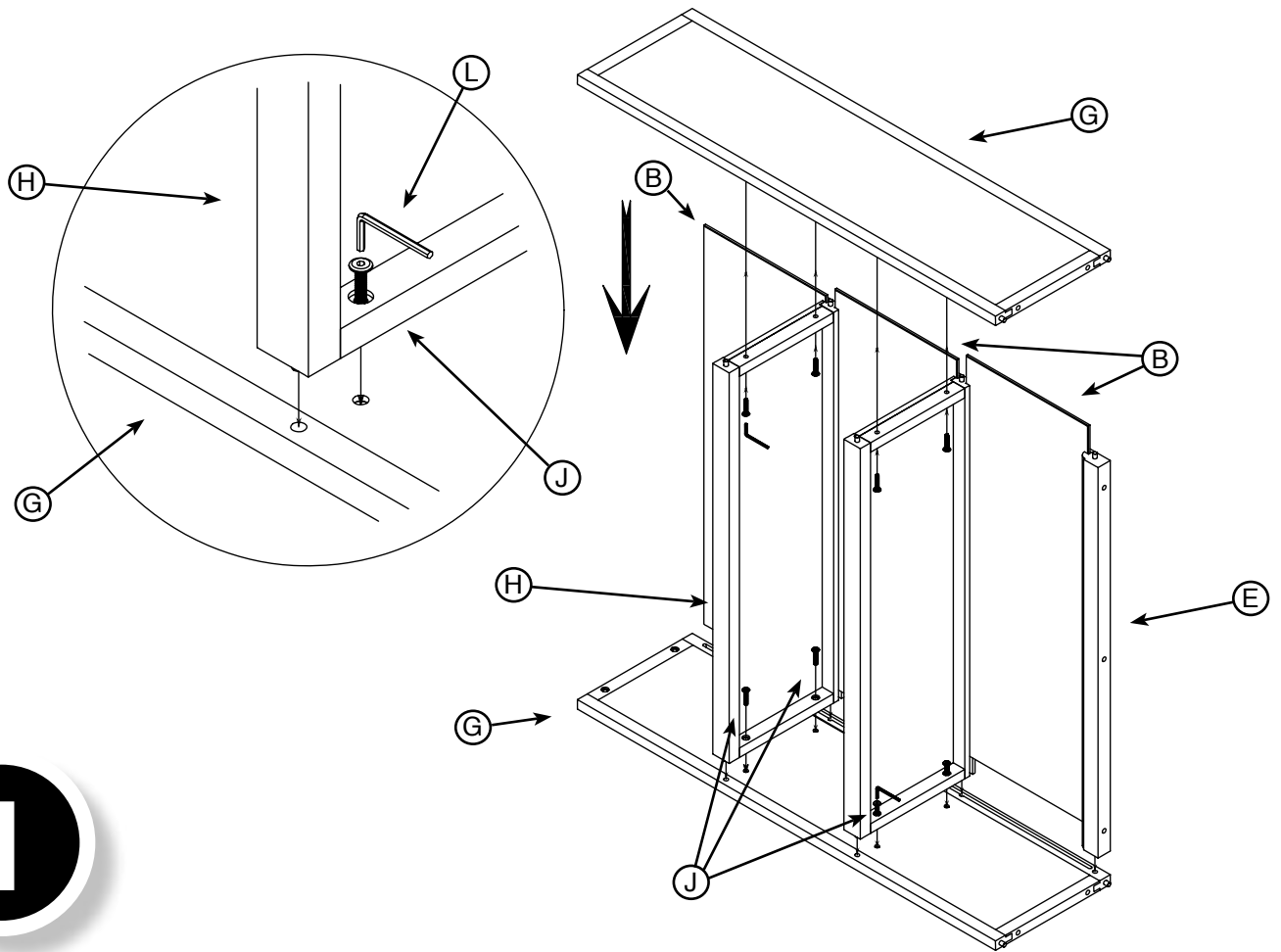
L

I	Long machine screws	15
J	Medium machine screws	8
K	Wood screws	7
L	Hex key	1

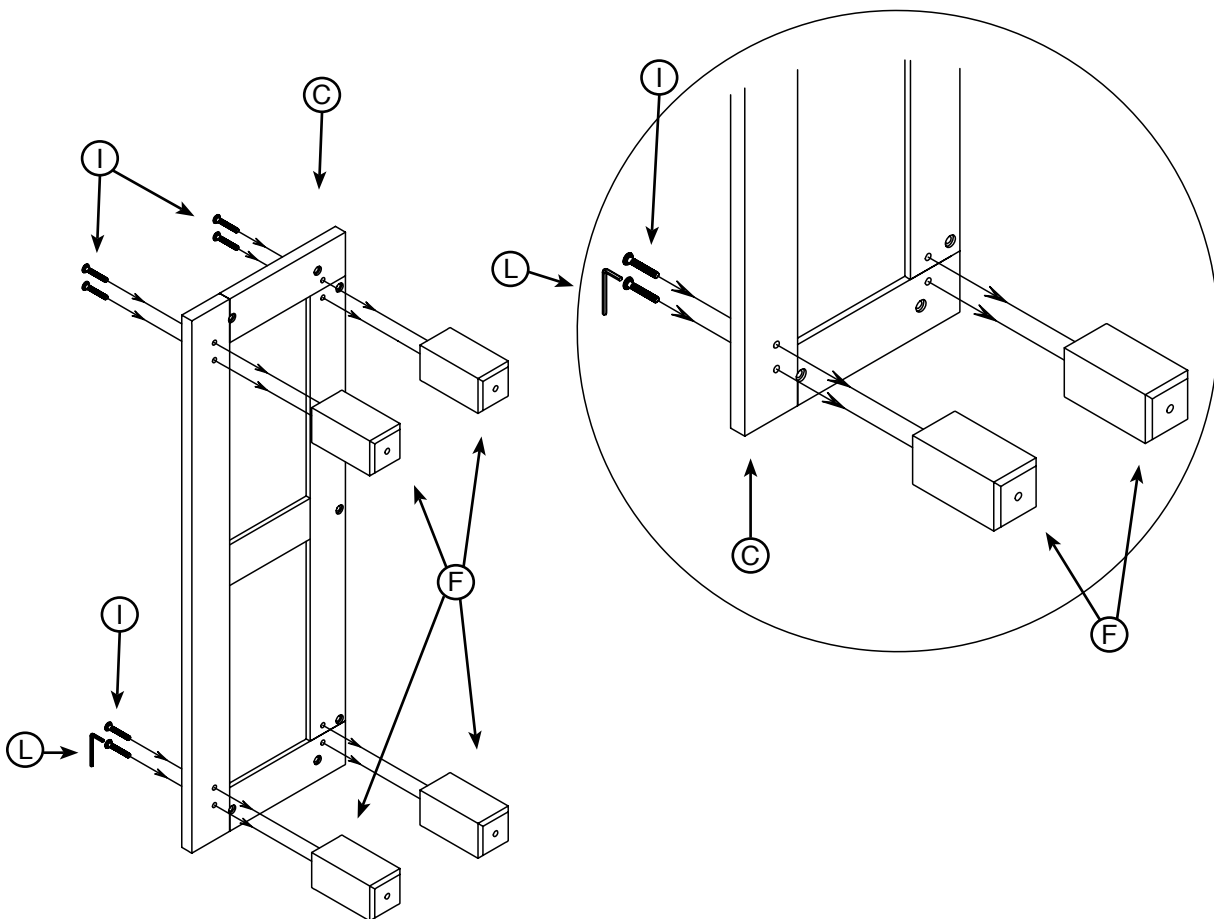
Tools needed:
Hex key (provided)

NOTE:
Do not use "I" for step 1

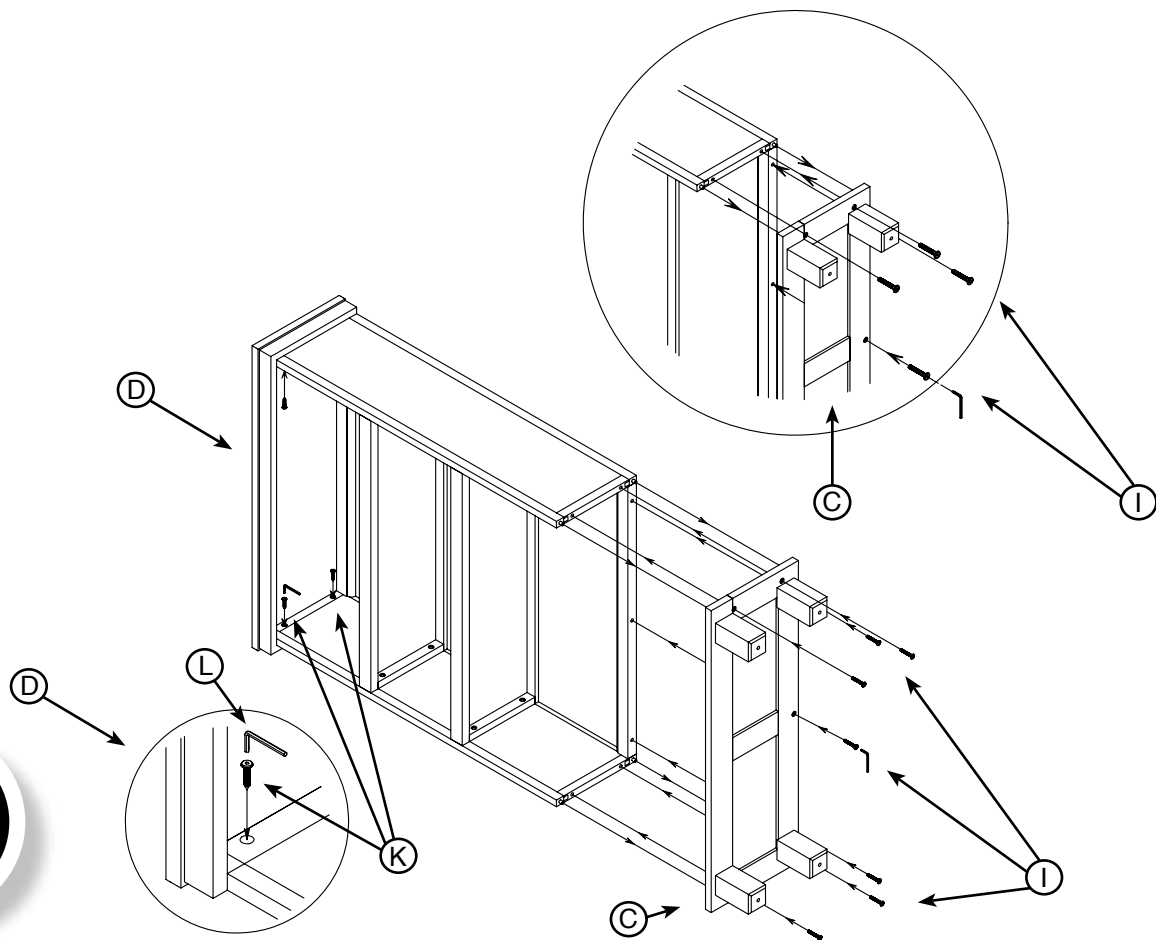
1



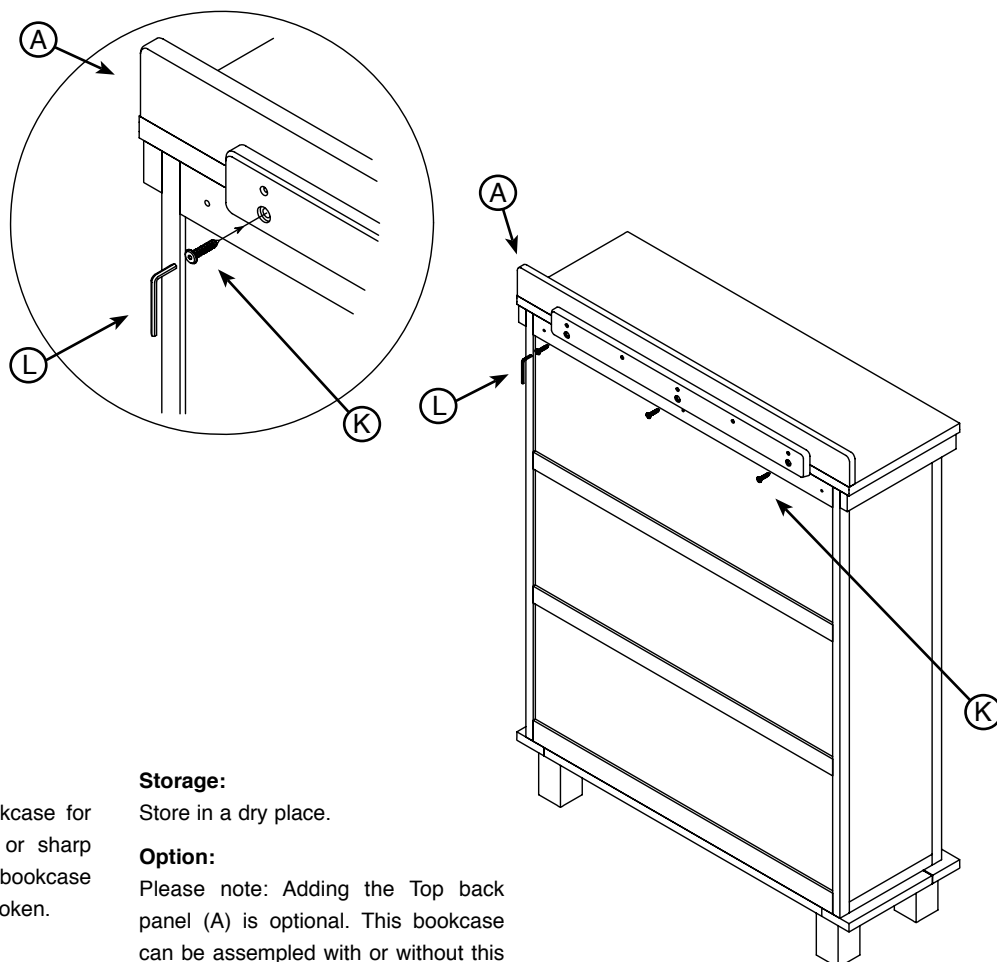
2



3



4



Maintenance:

Periodically inspect the bookcase for loose joints, missing parts or sharp edges. Discontinue using the bookcase if any parts are missing or broken.

Cleaning:

If dirty, wipe the bookcase with a damp cloth.

Storage:

Store in a dry place.

Option:

Please note: Adding the Top back panel (A) is optional. This bookcase can be assembled with or without this Top back panel.