

“sweet pea”™

o p e n c h a n g e r



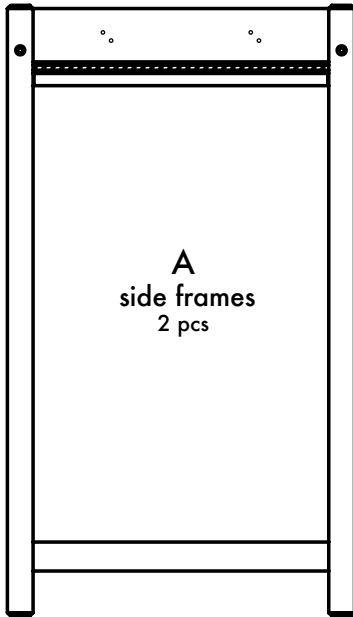
Model #
S P 1 2



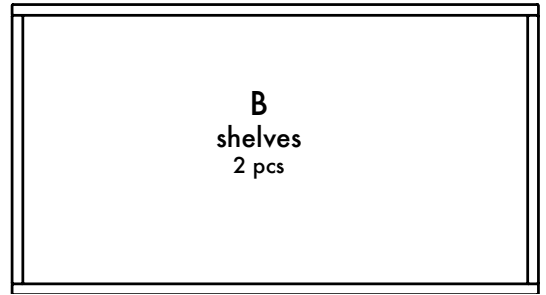
W A R N I N G

- ▶ **To prevent serious or fatal injury from falls, always keep child within arm's reach.**
- ▶ **NEVER** leave child unattended. **ADULT SUPERVISION IS ALWAYS REQUIRED.**
- ▶ Read all instructions before use of the changing table.
- ▶ Keep instructions for future use.
- ▶ **DO NOT** use the changing table if it is damaged or broken.
- ▶ When child reaches the weight of 30 lb (13.6 Kg), the changing table shall no longer be used.

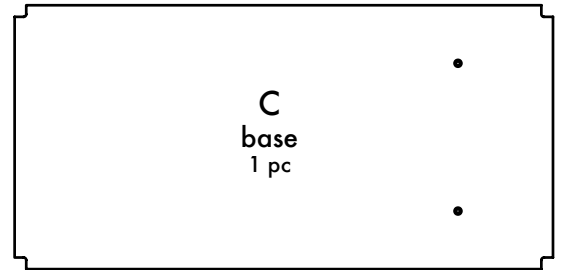
LARGE COMPONENTS



A
side frames
2 pcs



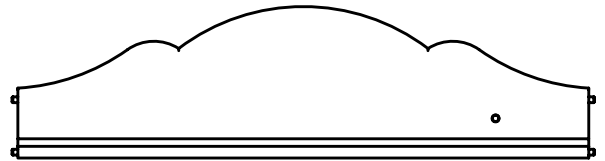
B
shelves
2 pcs



C
base
1 pc



D top front panel 1 pc



E top back panel 1 pc



F
hooks
4 pcs



G partition 1 pc

FASTENERS



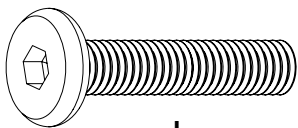
H



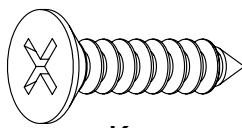
I



L

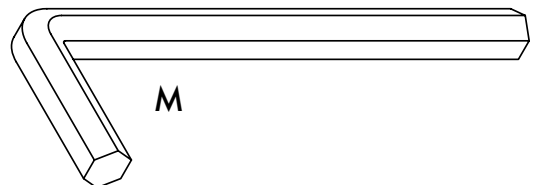


J

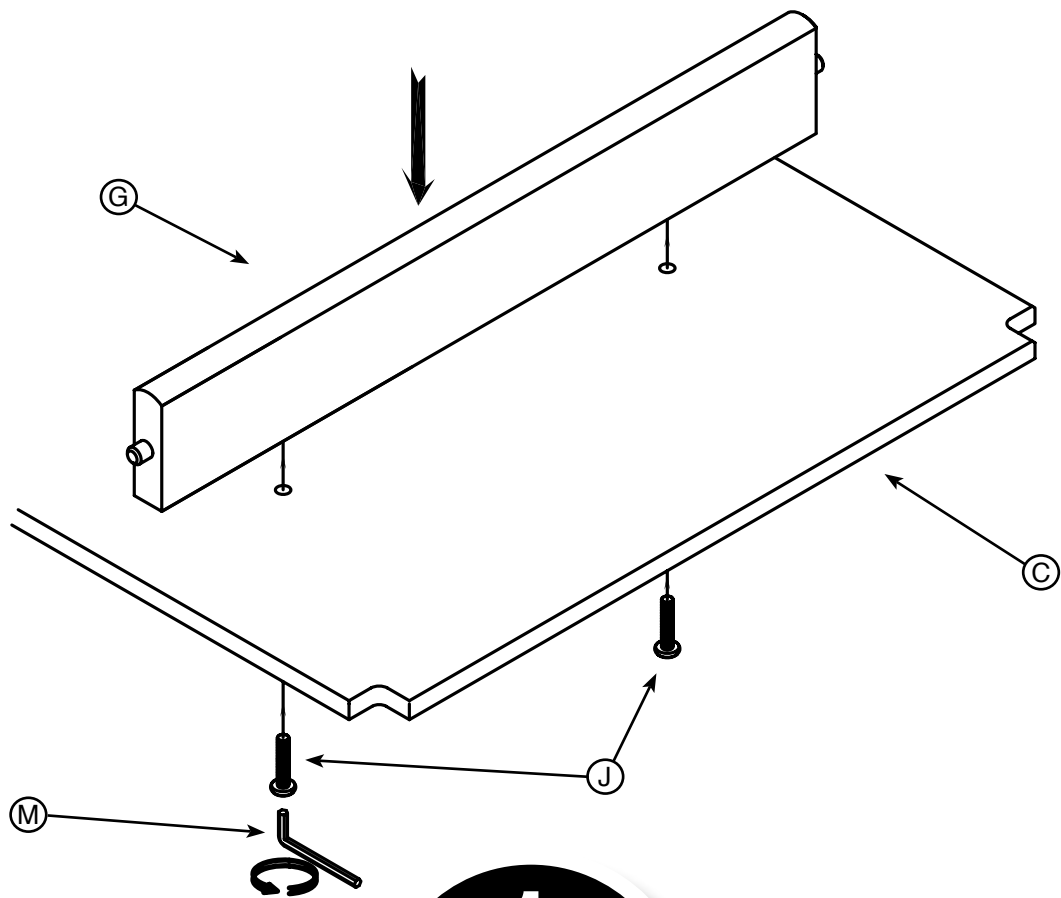


K

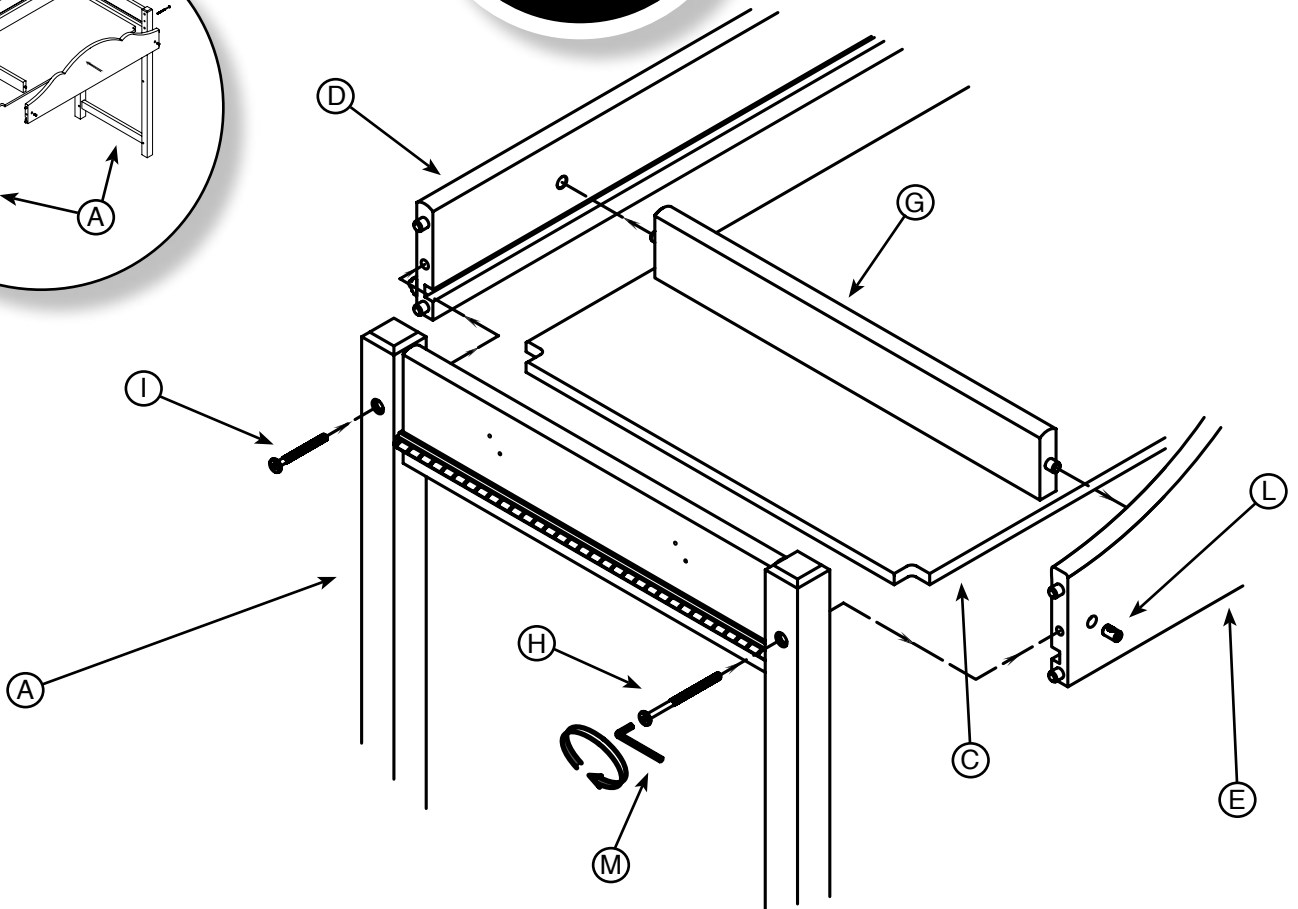
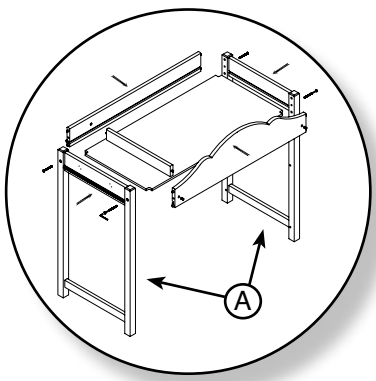
H	Extra long machine screws	2
I	Long machine screws	2
J	Short machine screws	10
K	Wood screws	8
L	Metal cross dowels	2
M	Hex key	1

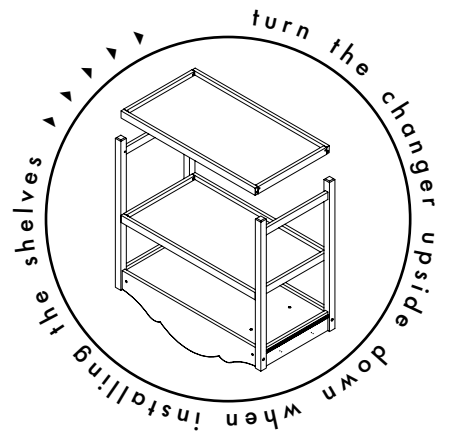
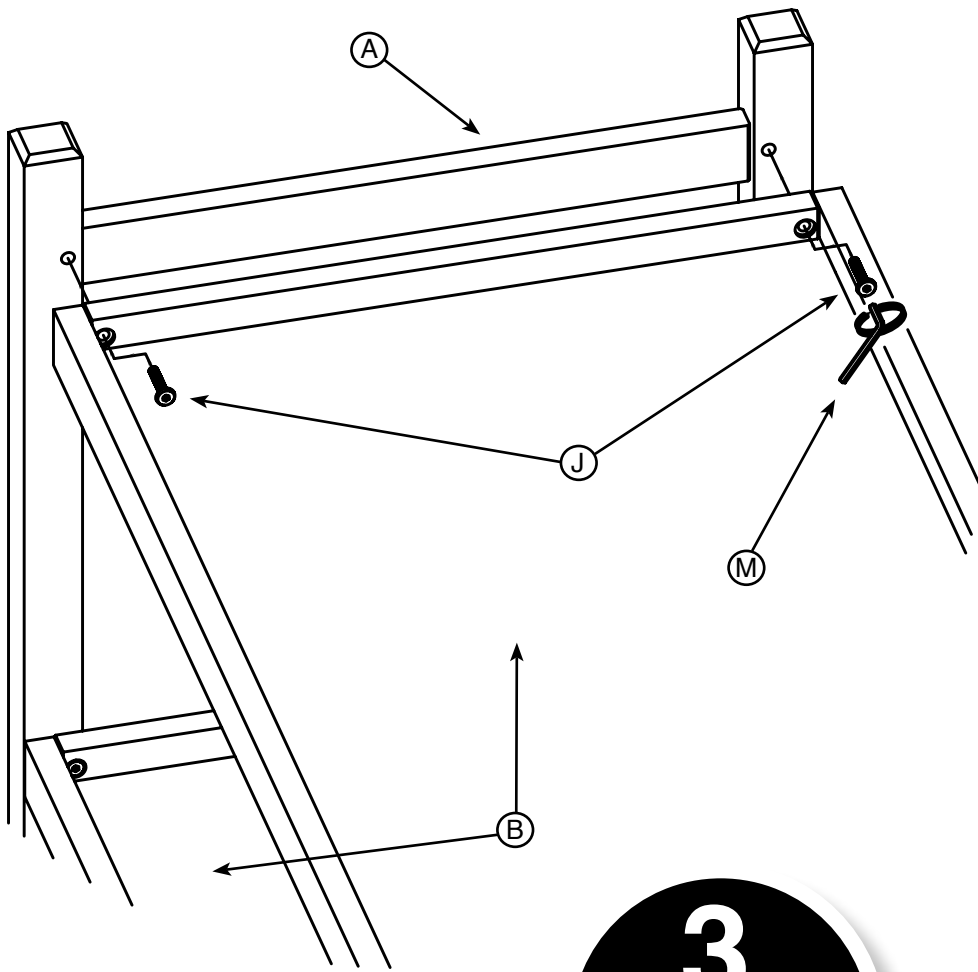


M



1
2





Maintenance:

Once a week inspect the changing table for any damaged hardware, loose joints, missing parts or sharp edges. Discontinue using the changer if any parts are missing or broken.

Cleaning:

If dirty, wipe the changing table with a damp cloth.



Storage:

Store in a dry place in the original box.

Warning:

If this changing table is not purchased new, do not use it until you have contacted Bratt Decor, Inc. to find out if the changing table still conforms to the safety standards.

