

“dick”

h u t c h



books and computer not included



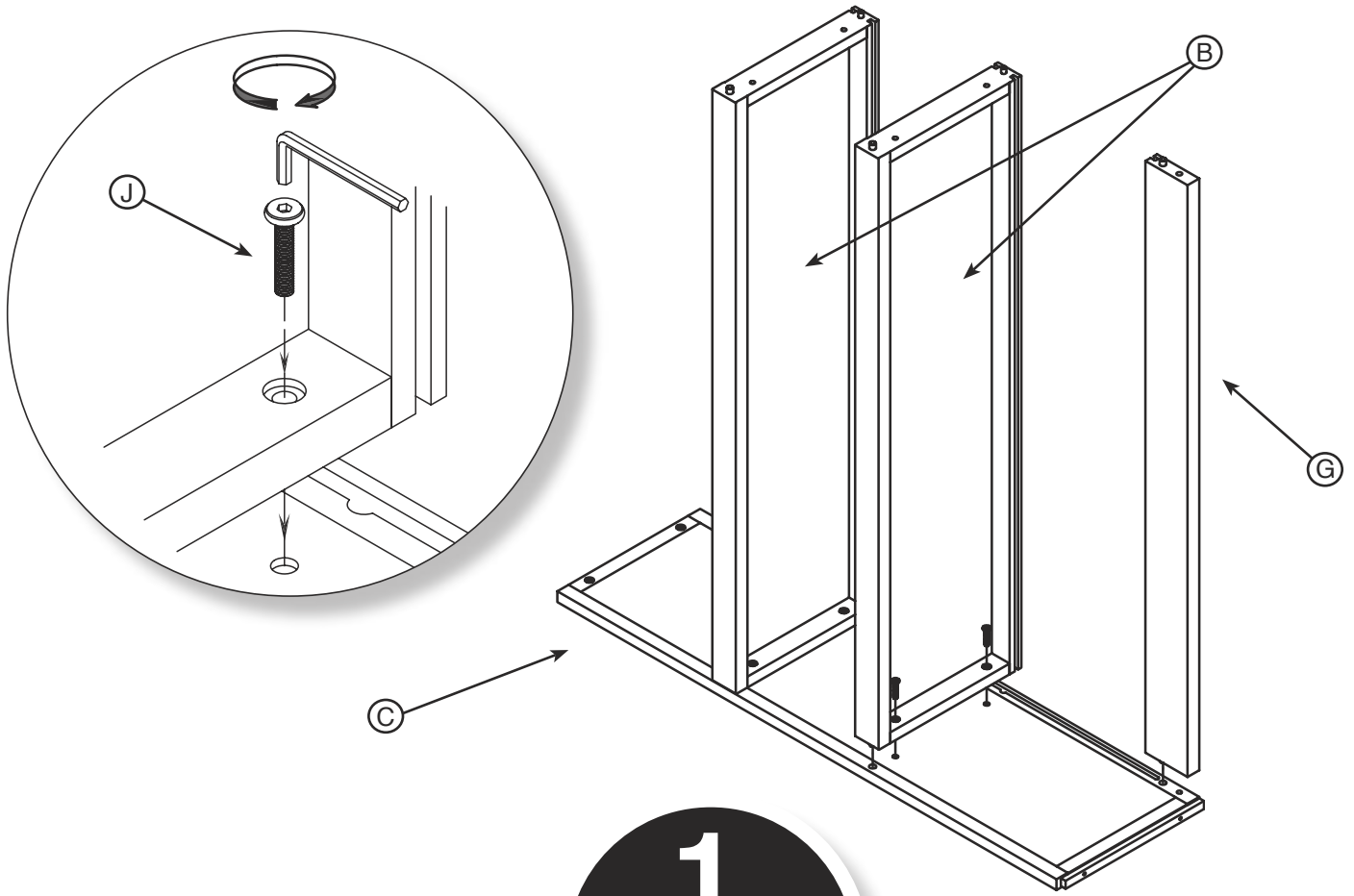
Model #
DK33-H2



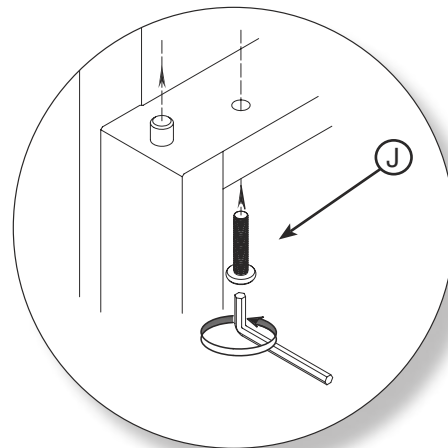
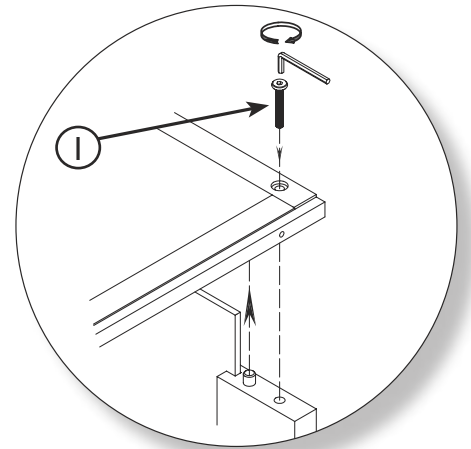
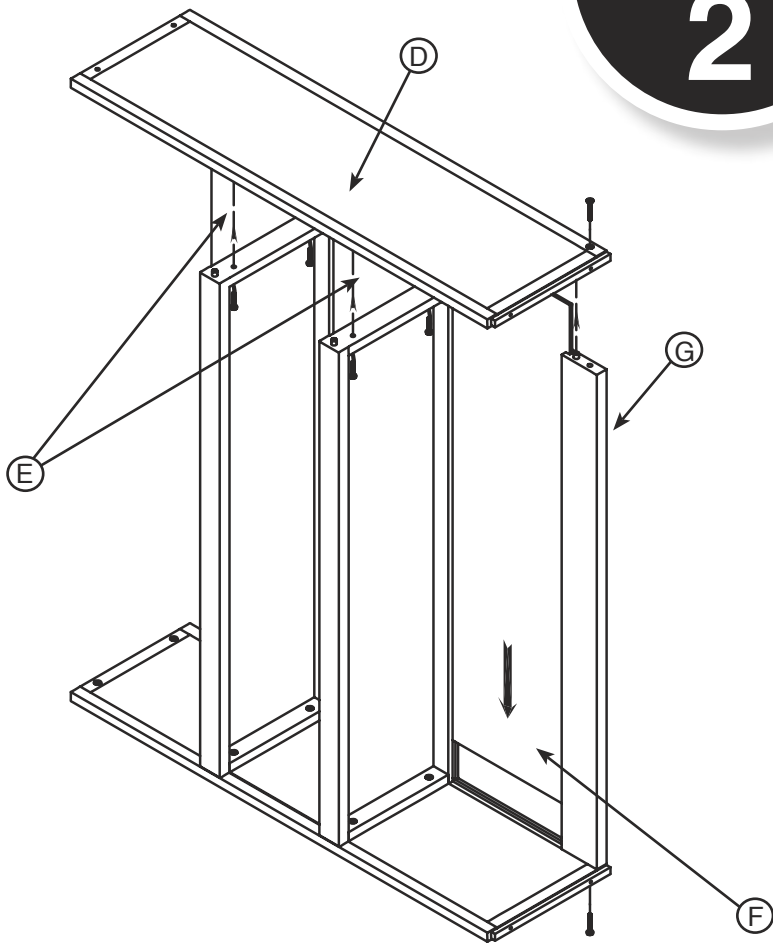
W A R N I N G

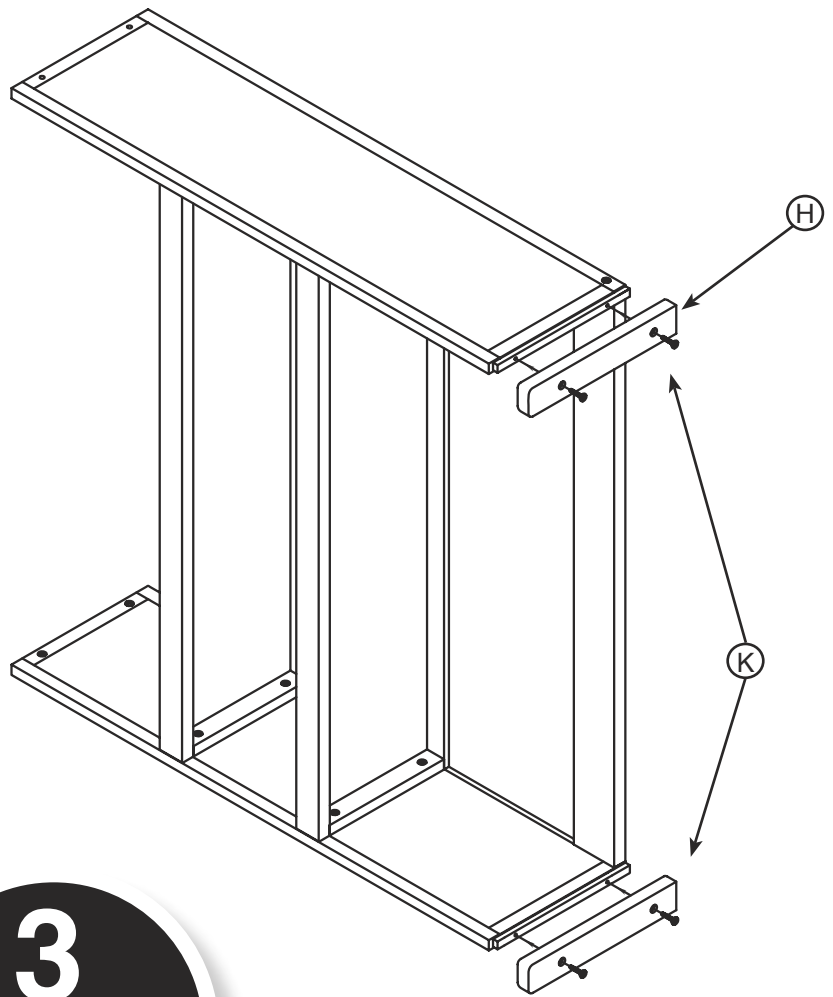
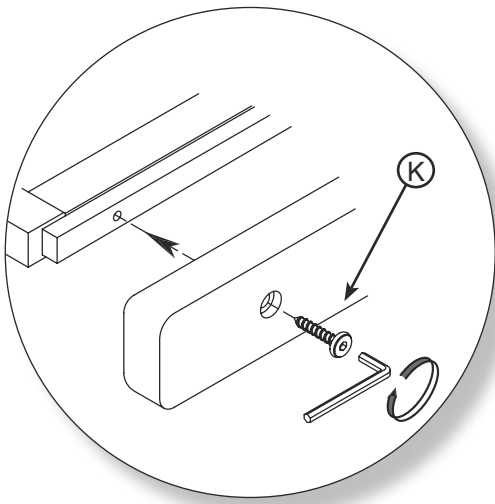
To prevent serious or fatal injury from falls, always secure the hutch to a wall using an “anti-tipping” device.

w w w . b r a t t d e c o r . c o m



1
2





Maintenance:

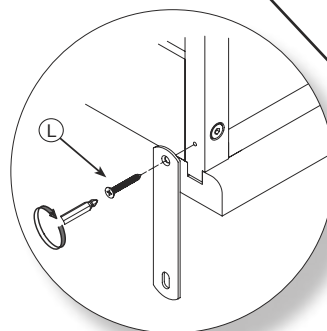
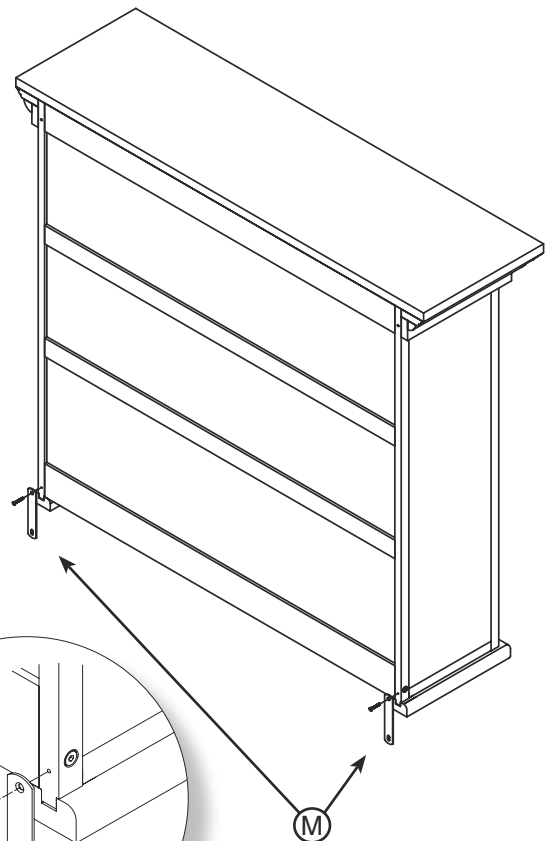
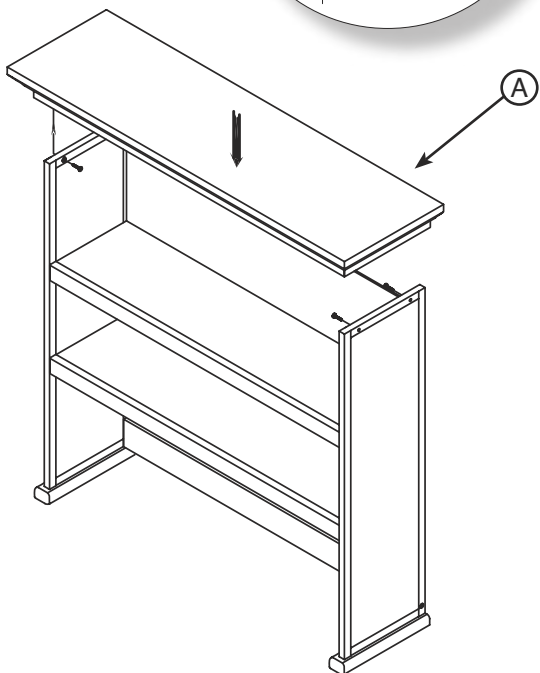
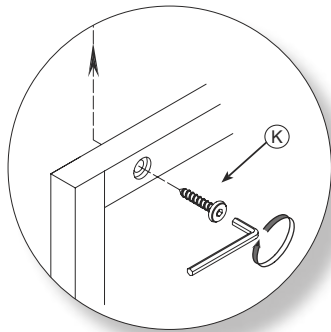
Periodically inspect the hutch for loose joints, missing parts or sharp edges. Discontinue using the hutch if any parts are missing or broken.

Cleaning:

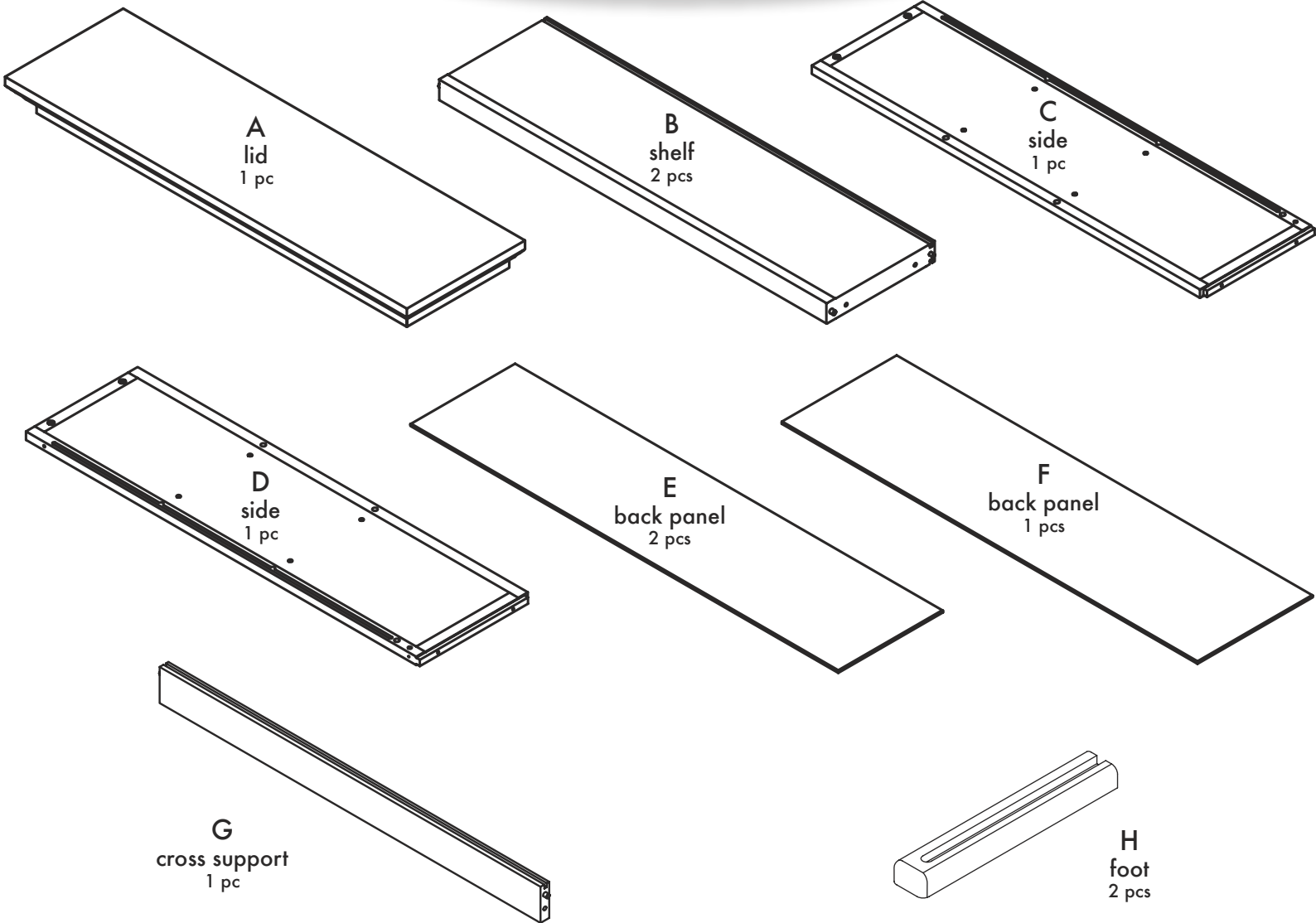
If dirty, wipe the hutch with a damp cloth.

Storage:

Store in a dry place.

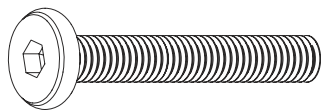


LARGE COMPONENTS

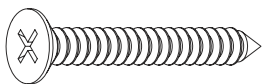


FASTENERS

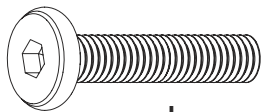
shown actual size



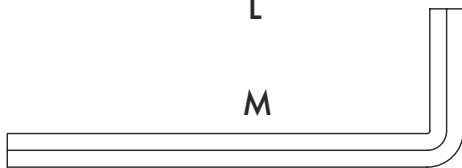
I



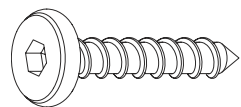
L



J



M



K



N

I	Long machine screws	2
J	Short machine screws	8
K	Hex wood screws	10
L	Phillips wood screws	2
M	Hex key	1
N	Metal brackets	2