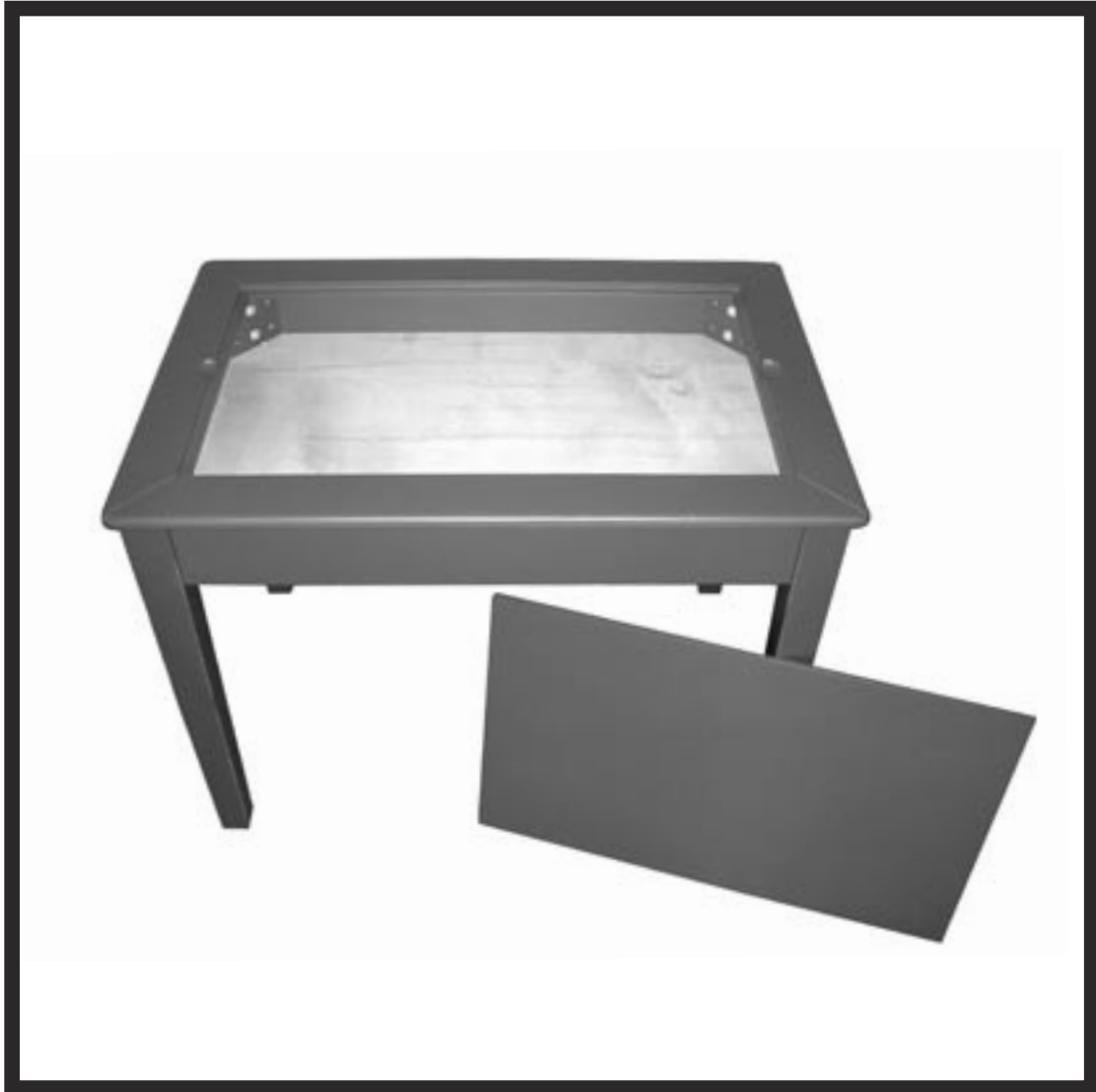


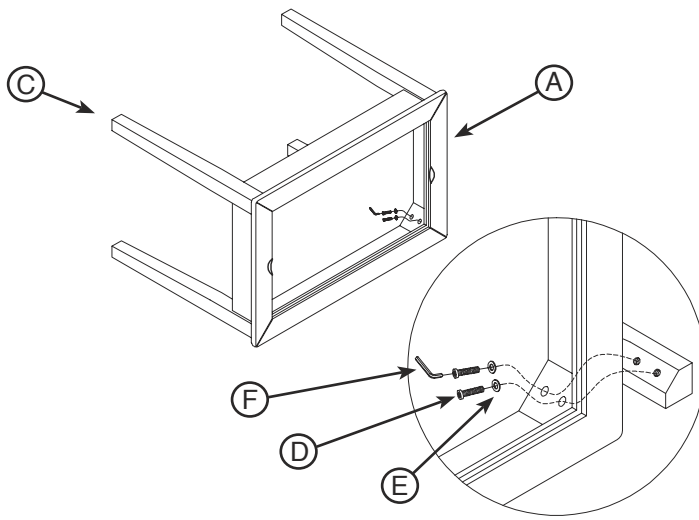
“dick”

a r t t a b l e



M o d e l # D K 3 5

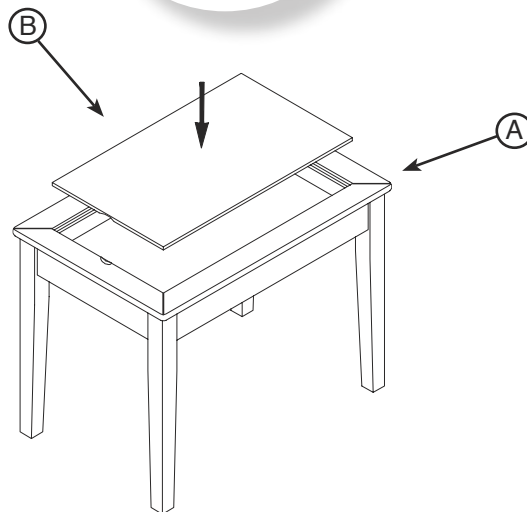
w w w . b r a t t d e c o r . c o m



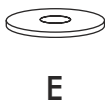
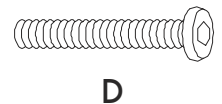
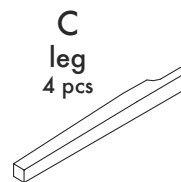
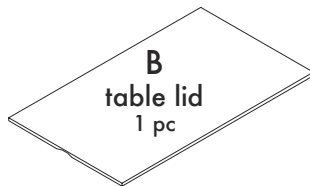
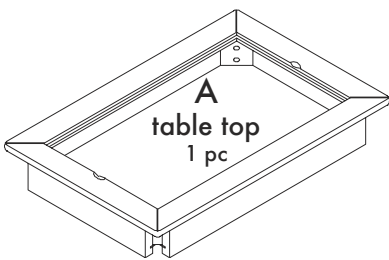
Maintenance: Periodically inspect the table for loose joints, missing parts or sharp edges. Discontinue using the table if any parts are missing or broken.

Cleaning: If dirty, wipe the table with a damp cloth.

Storage: Store in a dry place.



PARTS



D	1/4" x 2" machine screws	8
E	1/4" x 5/8" washer	8
F	4mm hex key	1