

Bratt Decor[®]

**ASSEMBLY
INSTRUCTIONS
FOR
DOLCE**



*bedding & mattress not included

HELP!

If you need any assistance with the assembly of this crib, please call our customer service department at 888 242 7288, and a technician will talk you through the entire process.

WARNING:



Bratt Decor

Bratt Decor, Inc.

PO Box 20808

Baltimore, MD

21209

410 323 2393

1

FAILURE TO FOLLOW THESE WARNINGS AND ASSEMBLY INSTRUCTIONS COULD RESULT IN SERIOUS INJURY OR DEATH.

* Read all instructions before assembling crib.

KEEP INSTRUCTIONS FOR FUTURE USE.

* Before each usage or assembly, inspect crib for damaged hardware, loose joints, missing parts or sharp edges. DO NOT use crib if any parts are missing or broken. Ask your dealer or write to BRATT DECOR, INC. for replacement parts and instructional literature if needed. DO NOT substitute parts.

* After raising side, make sure latches are secure.

* When child is able to climb out or reaches the height of 35" (90 cm), the crib shall no longer be used. Place the child in a youth or regular bed.

* DO NOT place crib near window where cords from blind or drapes may strangle a child.

* If refinishing, use a non-toxic finish specified for children's products.

* DO NOT leave child in crib with side lowered. Be sure side is in raised and locked position whenever child is in crib.

* When child is able to pull to standing position, set mattress to lowest position and remove bumper pads, large toys and other objects that could serve as steps for climbing out.

* Never use plastic shipping bags or other plastic film as mattress covers because they can cause suffocation.

* DO NOT use a water mattress with this crib.

CAUTION:

It is extremely important to make sure all bolts and other fasteners are securely tightened and checked for tightness at least once a week.

WARNING:



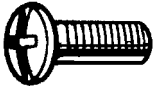




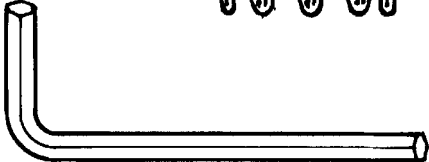
Strings can cause strangulation! Do not place items with a string around a child's neck, such as hood strings or pacifier cords. Do not suspend strings over a crib or attach strings to toys.

LIST OF PARTS:

LARGE COMPONENTS:

- A. SIDE PIECE (as marked in Figure 1)
- B. SIDE PIECE (almost identical to A)
- C. BACK OF CRIB
- D. FRONT BRACE
- E. FRONT GATE
- F. MATTRESS SUPPORT
- G. 2 CHROME SLIDE RODS

COMPONENTS IN SMALL BOX:

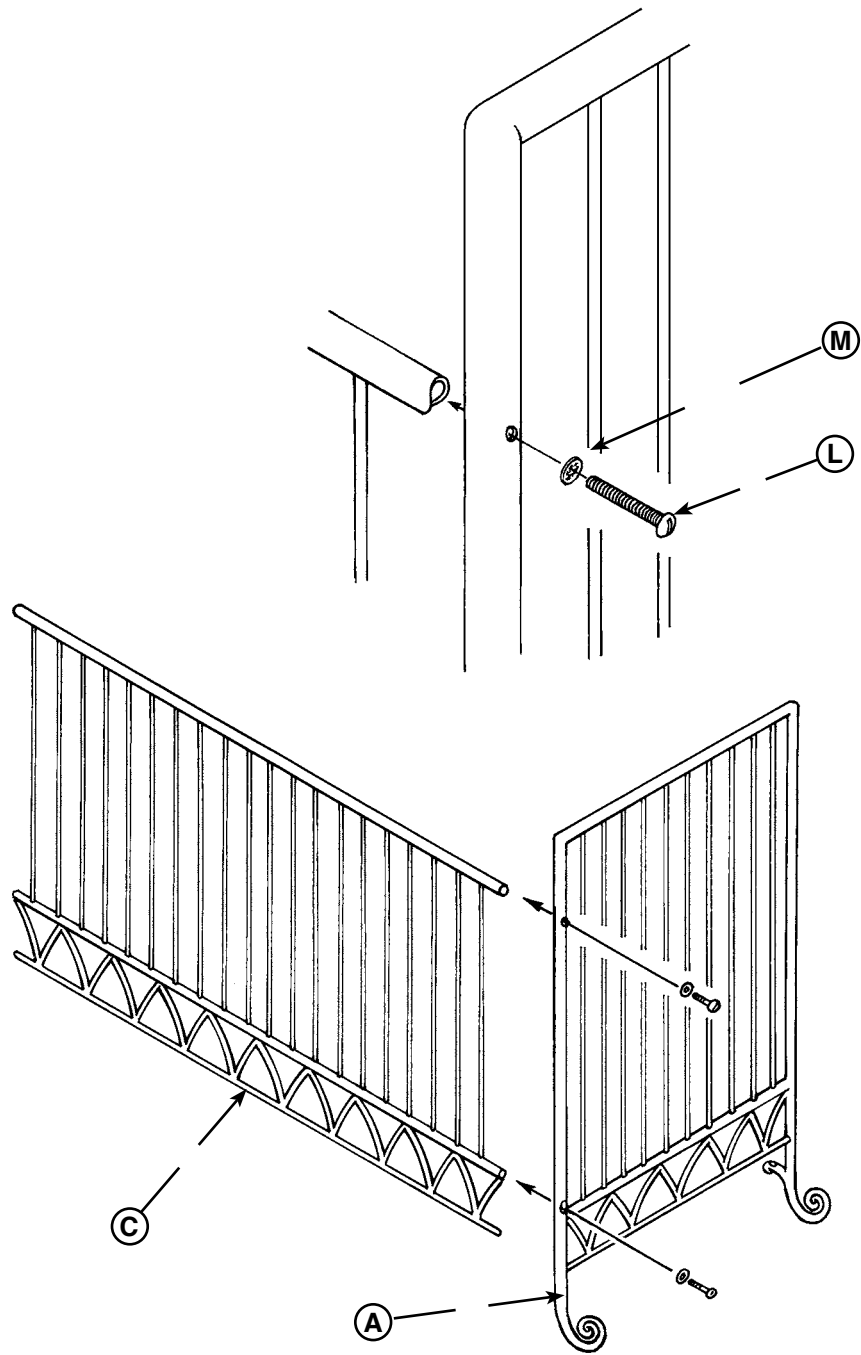
- H. 4 SMALL MACHINE SCREWS ROUND HEAD 
- I. 4 SMALL STAR WASHERS 
- J. 2 LARGE MACHINE SCREWS (short) 
- K. 4 LARGE MACHINE SCREWS HEX (short) 
- L. 4 LARGE MACHINE SCREWS (long) 
- M. 10 LARGE STAR WASHERS 
- N. 2 SPRINGS 
- O. HEX TOOL 

TOOLS NEEDED:

SCREW DRIVER (flat or phillips)

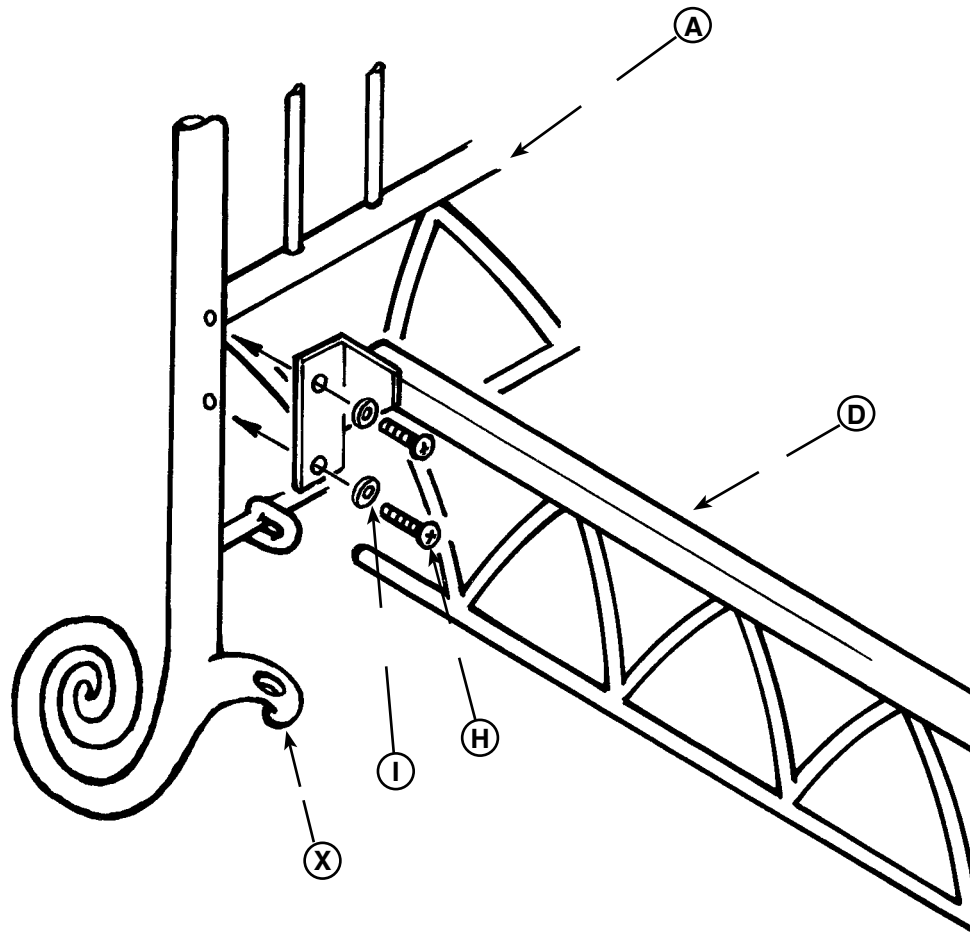
FIGURE 1

3



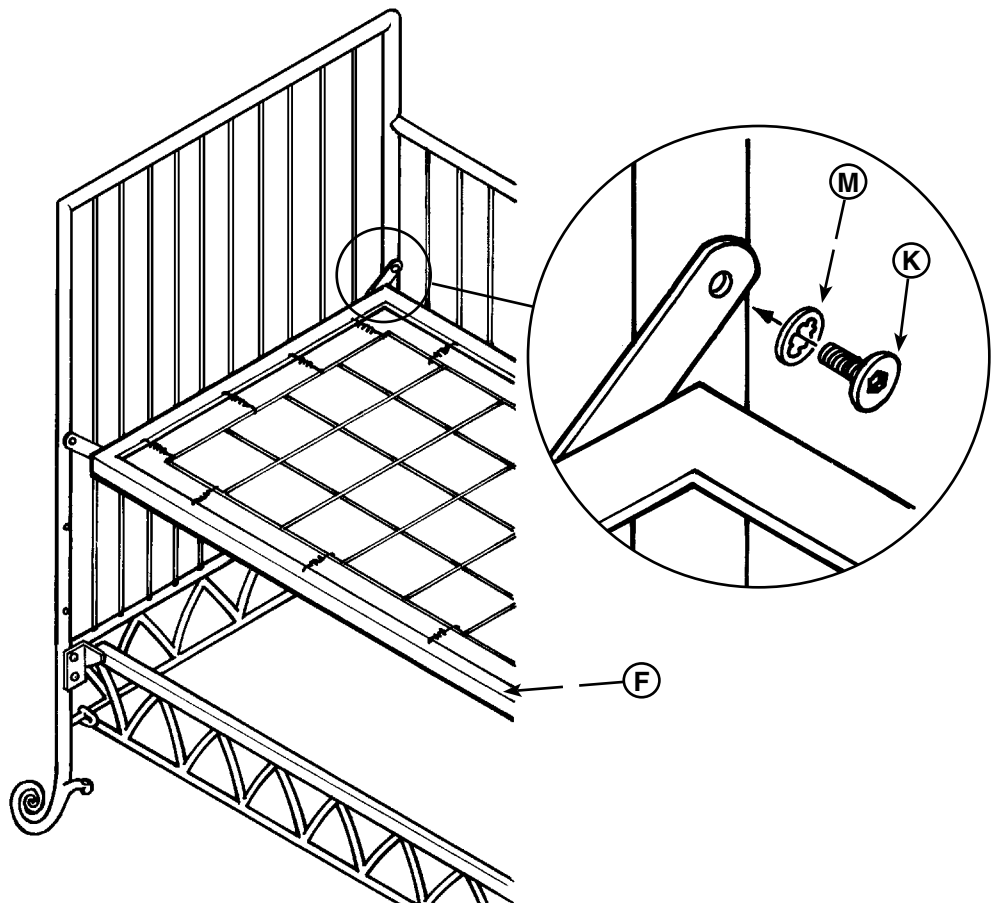
Using a screw driver, attach back piece (C) to side pieces (A) and (B)(not shown) as indicated using 4 large machine screws (L) and the large star washers (M). Make sure that the brackets on the bottom of the side pieces (see figure 2 marked (X)) are pointing inside the crib. Make sure that the screws are snug.

FIGURE 2



Attach the front brace (D) to the front of the crib using the small machine screws round head (H) and the 4 small star washers (I). Tighten machine screws with a screwdriver.

FIGURE 3



5

Decide which level is appropriate for your child using the following guidelines as set forth by the American Academy of Pediatrics:

LEVEL (1) highest position

To be used by newborns, until shortly before they can sit alone. Under no circumstances should the mattress support be in its highest position after the child can sit.

LEVEL (2) middle position

To be used by babies who can sit, until shortly before they can stand. Under no circumstances should the mattress support be in the middle position after the child can stand.

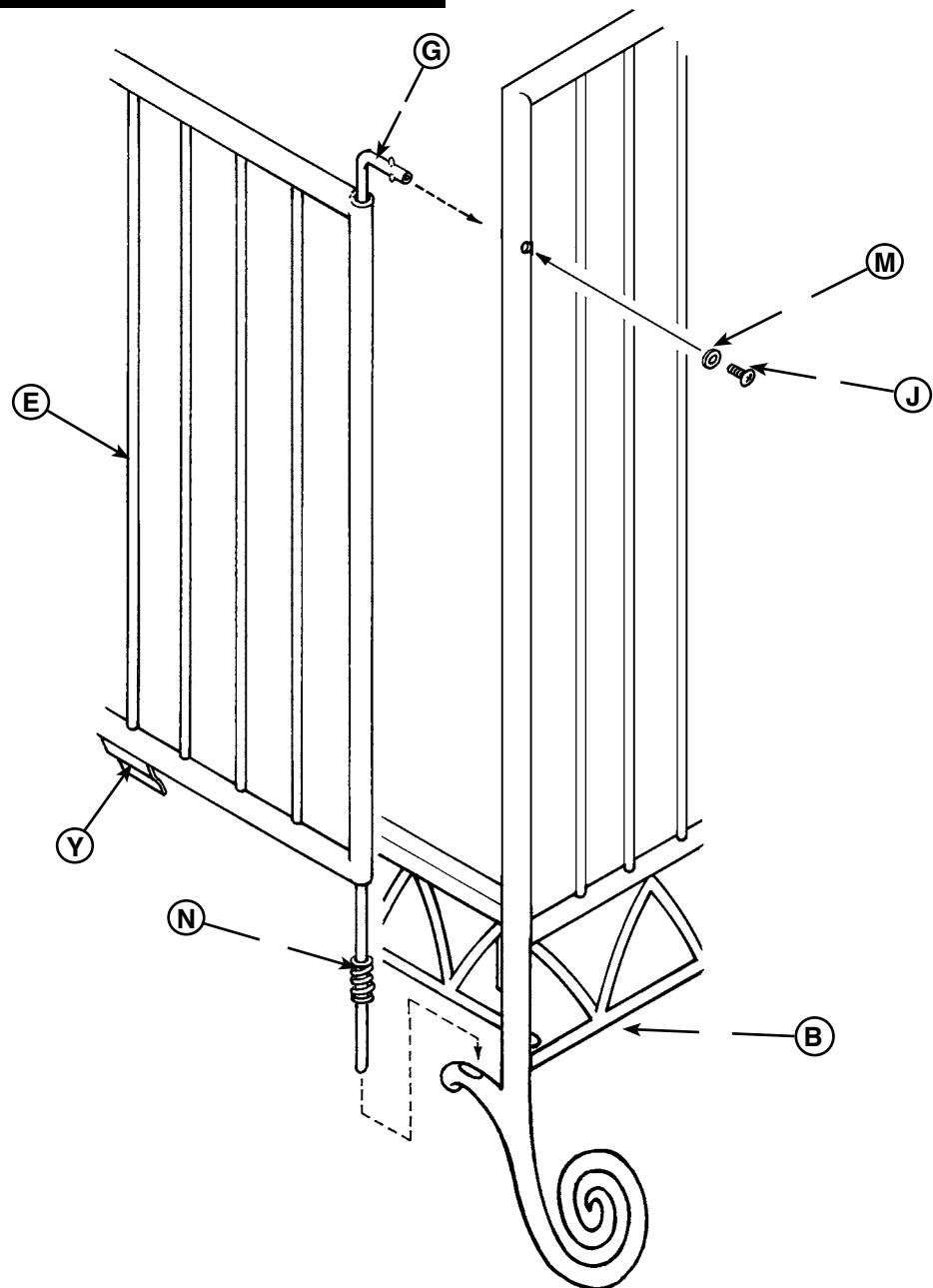
LEVEL (3) lowest position

The mattress support must be in its lowest position before the baby can stand. Under no circumstances should the child be allowed to use this crib when they reach 35 inches tall.

Now attach the mattress support (F) in the appropriate position

Attach the mattress support to the crib using the 4 large machine screws hex head (K) and large star washers (M). Use the tool (O) provided. Make sure that the screws are tight. Be sure to keep this tool in a safe place as you will need it to lower the mattress support in the future.

FIGURE 4



Slide one of the slide rods (G) through either of the thin tubes of the front gate, making sure that the latch brackets (marked with a Y) are on the bottom inside. Place a spring (N) onto the end of the slide rod, and insert the end into the bottom bracket. Insert the top end of the slide rod into the top hole of the side piece and fasten it using one of the large short machine screws (J) and large star washer (M). Now repeat the process on the other side.

Check all screws to make sure that they are tight. Raise the front gate until the latch mechanism engages. To lower the front gate, first, lift the gate slightly, then press in the front brace with your foot, lower the gate carefully until it rests on the springs.

MAINTENANCE

Once a week inspect the crib for any damaged hardware, loose joints, missing parts or sharp edges. Discontinue using the crib if any parts are missing or broken, contact Bratt Decor, Inc. for replacement parts if needed.

Cleaning: if crib is dirty, wipe with a cloth dampened with warm water. Do not use solvents.

Storage: store in a dry place.

Warning: if this crib is not purchased new, do not use it until you have contacted Bratt Decor, Inc. To find out if the crib conforms to the current safety standards.

Place these assembly instructions and the hex tool in the clear vinyl bag attached to the mattress support. You will need these assembly instructions every time you assemble this crib.

CAUTION:

7

ANY MATTRESS USED IN THIS CRIB MUST BE AT LEAST 27 1/4 INCHES BY 51 5/8 INCHES WITH A THICKNESS NOT EXCEEDING 6 INCHES.

ANY MATTRESS USED IN THIS CRIB MUST BE AT LEAST 69 CENTERMETERS BY 131 CENTERMETERS WITH A THICKNESS NOT EXCEEDING 15 CENTERMETERS.