

# “heritage”

b o o k c a s e



books and toys not included



Model #  
HG 31 - 2

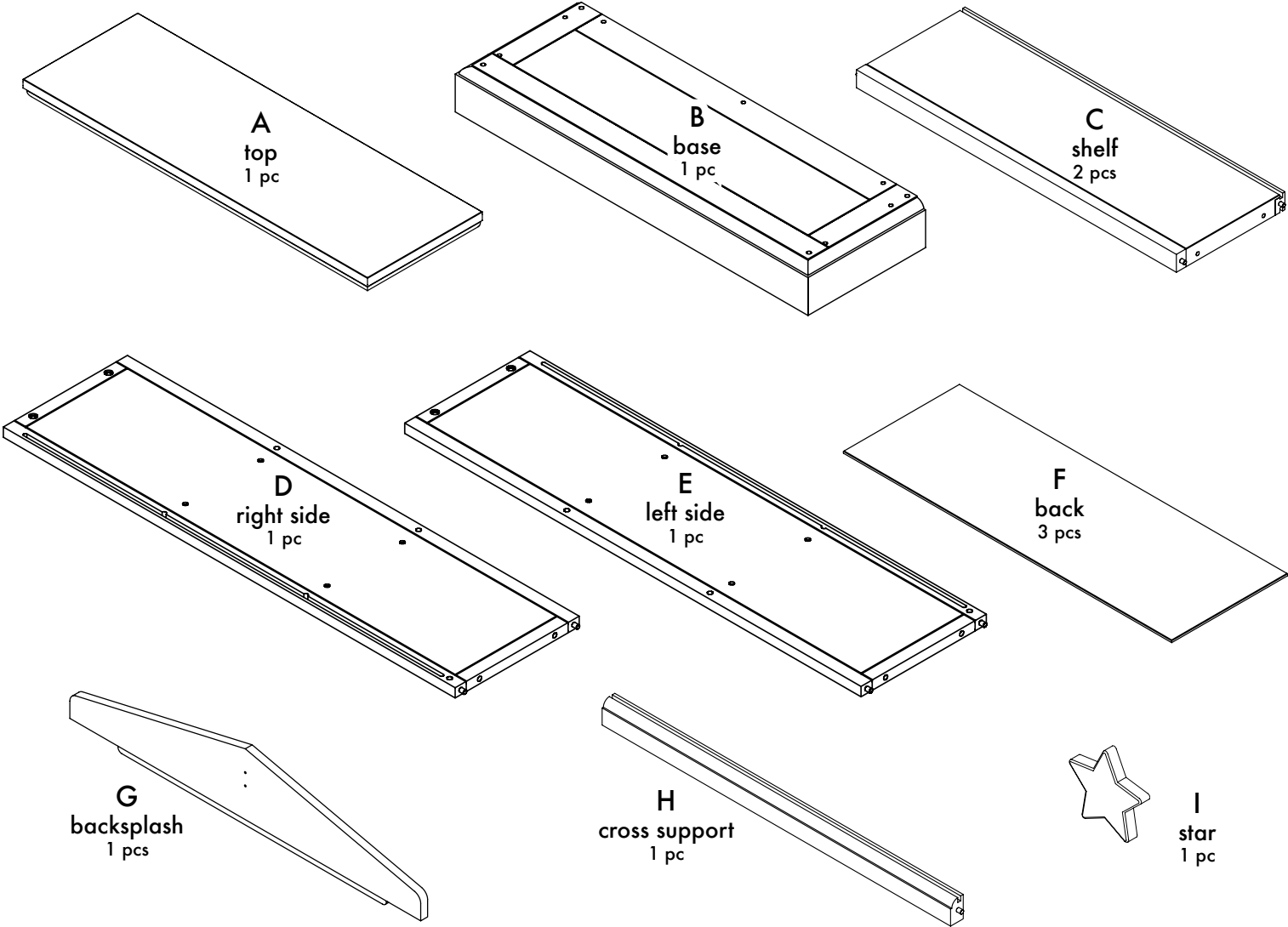


## W A R N I N G

To prevent serious or fatal injury from falls, always secure the bookcase to a wall using a “anti-tipping” device.

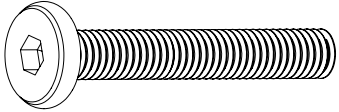
w w w . b r a t t d e c o r . c o m

# LARGE COMPONENTS

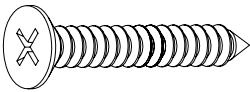


# FASTENERS

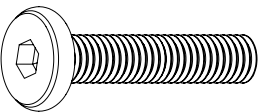
shown actual size



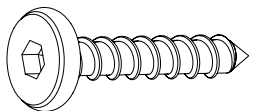
J



M



K

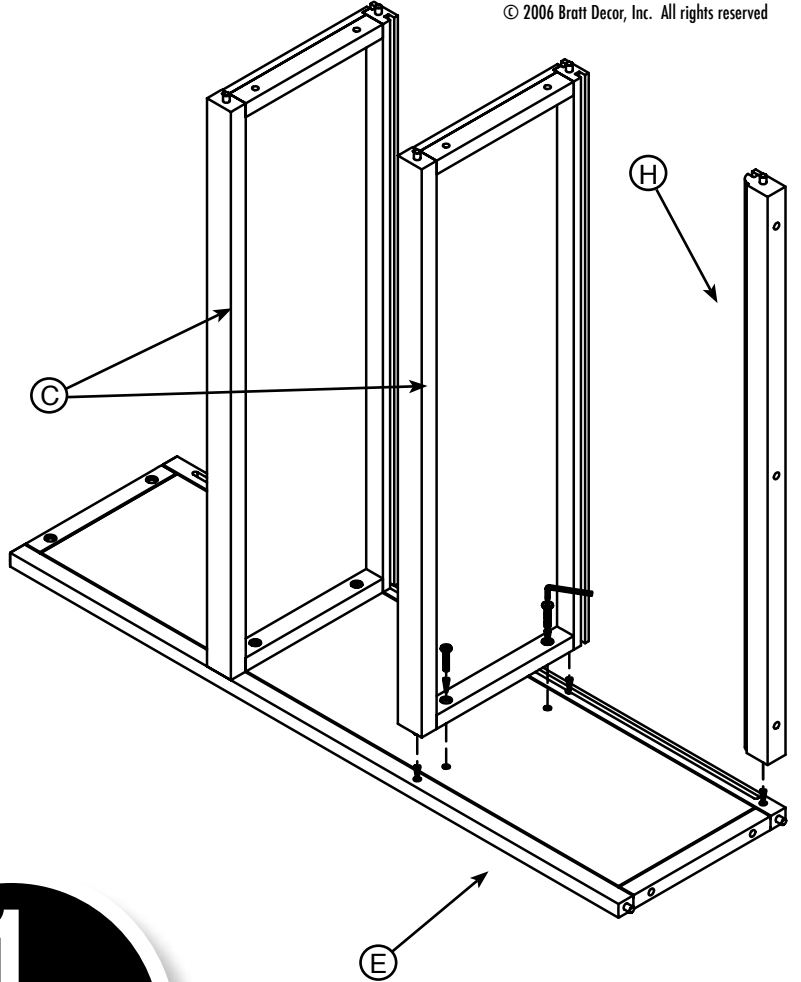
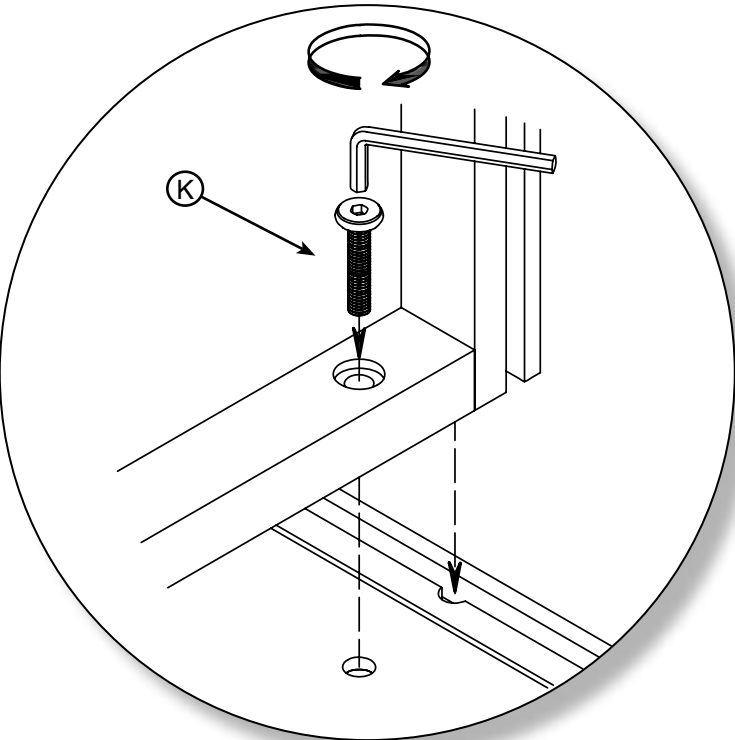


L

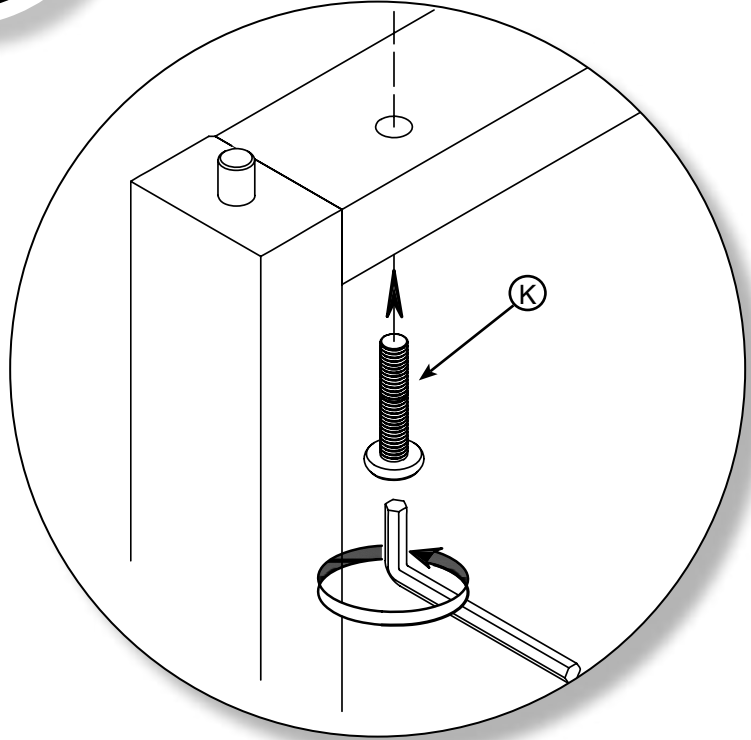
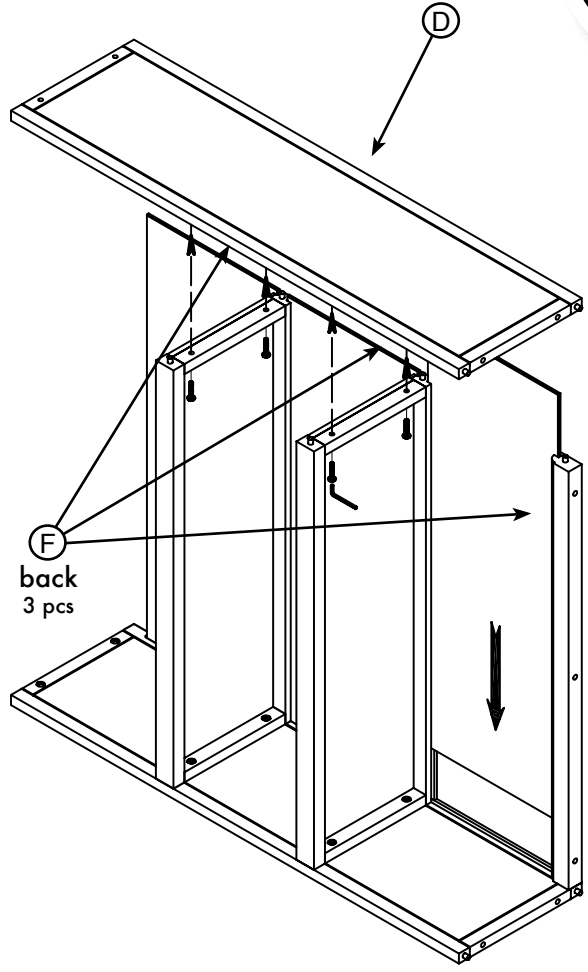


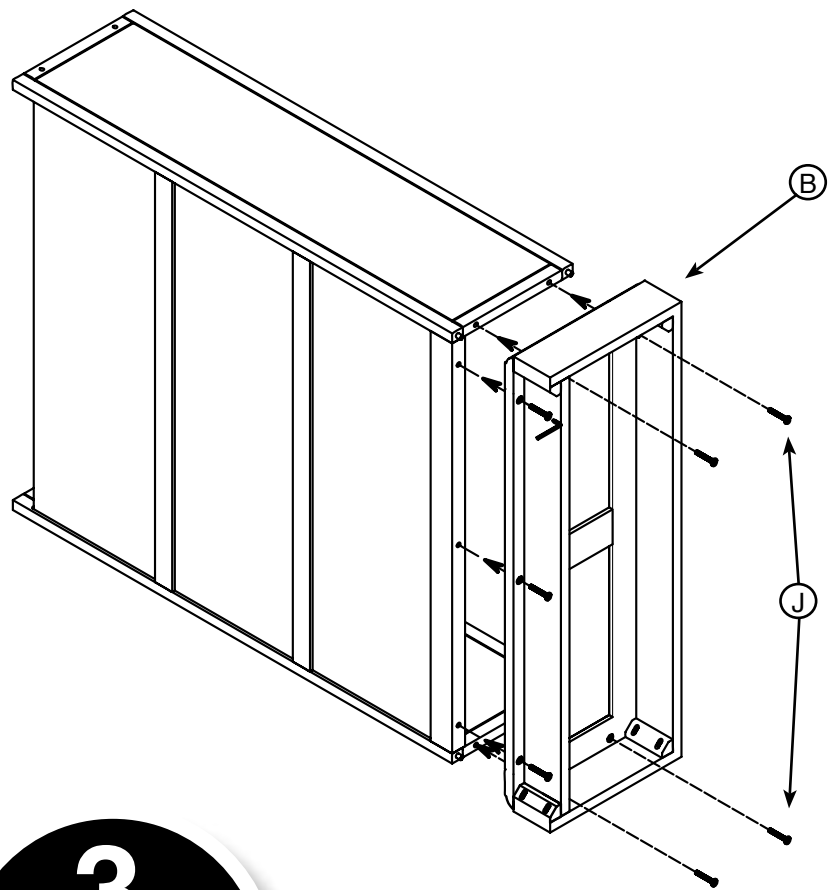
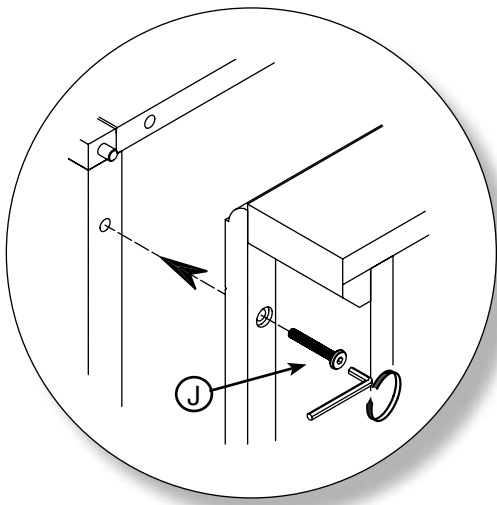
N

- J Long machine screws 7
- K Short machine screws 8
- L Hex wood screws 9
- M Phillips wood screws long 2
- N Hex key 1



1  
2





**Maintenance:**

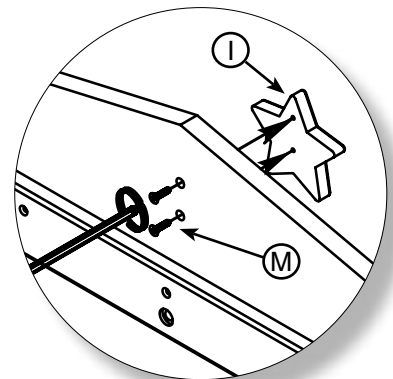
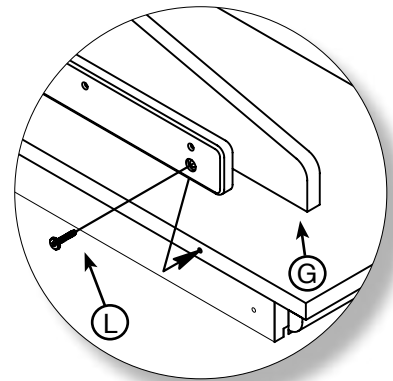
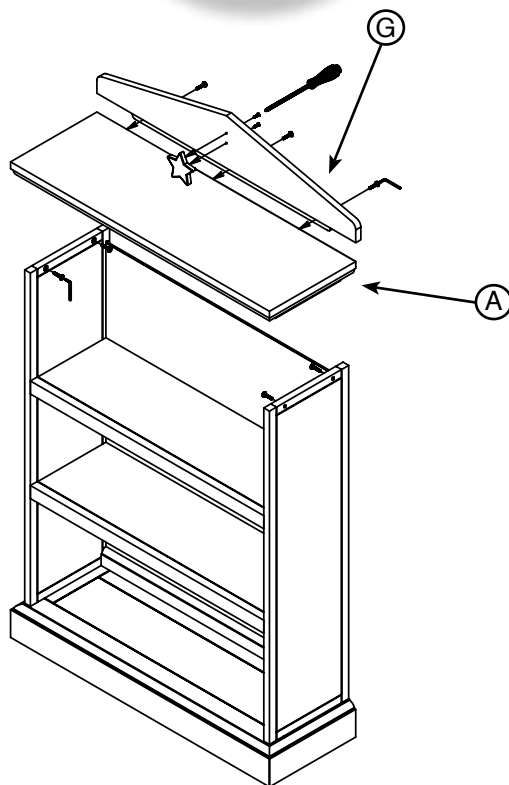
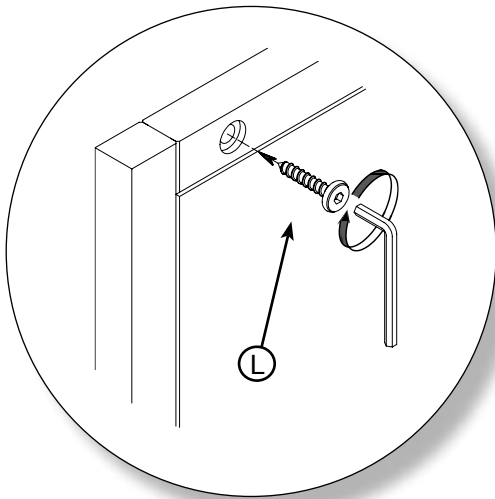
Periodically inspect the bookcase for loose joints, missing parts or sharp edges. Discontinue using the bookcase if any parts are missing or broken.

**Cleaning:**

If dirty, wipe the bookcase with a damp cloth.

**Storage:**

Store in a dry place.



**Option:**

Please note: Adding the backslash (G) is optional. This bookcase can be assembled with or without this backslash.