

# “jane”

b a b y c r i b

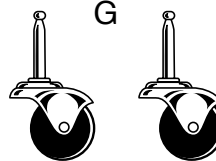
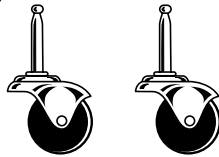
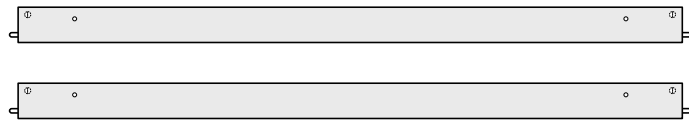
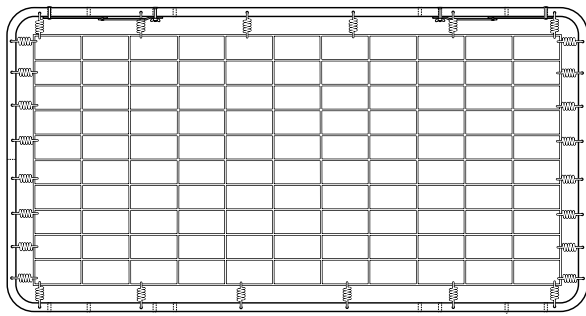
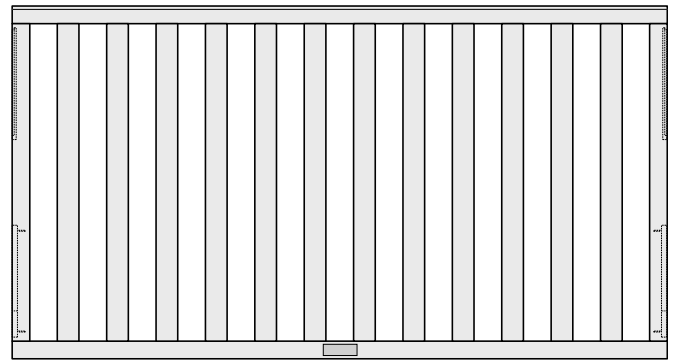
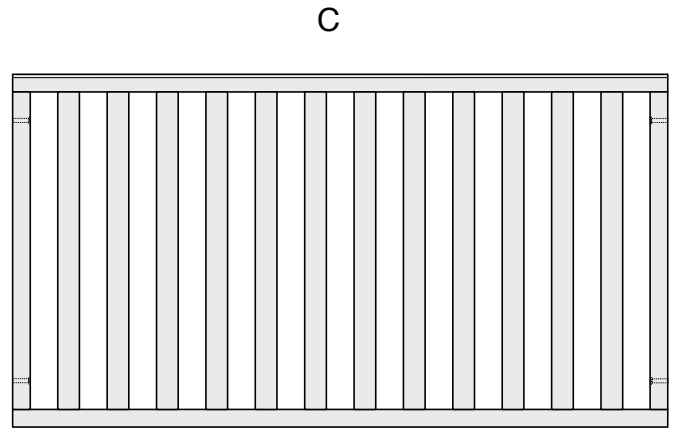
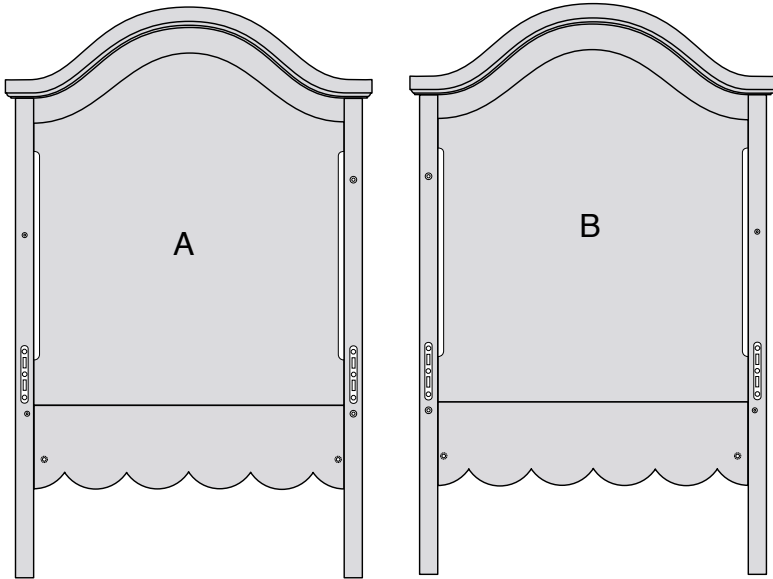


This crib conforms to the standards of the U.S. Product Consumer Safety Commission.



Model #  
J N 0 1 - 2

# LARGE COMPONENTS



- A Left Head Board 1
- B Right Head Board 1
- C Back Piece 1
- D Front Gate 1

- E Mattress Support 1
- F Stabilizer bars 2
- G Casters 4

## Mattress Positions:

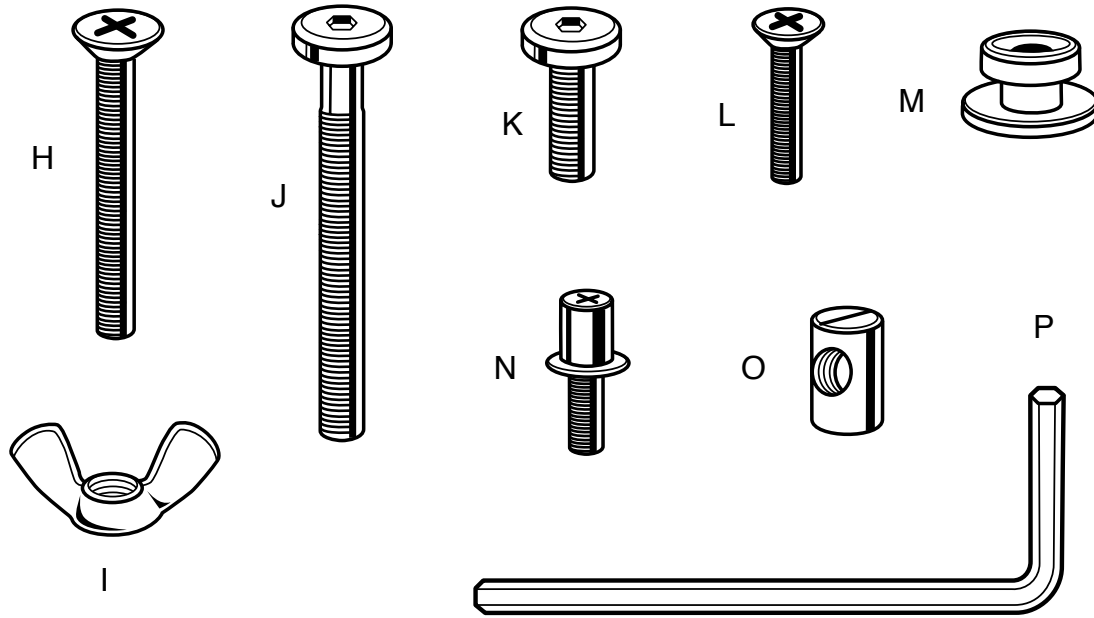
- Please use the following guidelines as set forth by the American Academy of Pediatrics to decide which level is appropriate for your child:
- LEVEL (1) highest position To be used by newborns, until shortly before they can sit alone. Under no circumstances should the mattress support be in its highest position after the child can sit.
  - LEVEL (2) middle position To be used by babies who can sit, until shortly before they can stand. Under no circumstances should the mattress support be in the middle position after the child can stand.
  - LEVEL (3) lowest position The mattress support must be in its lowest position before the baby can stand.

**Under no circumstances should the child be allowed to use this crib when they reach 35 inches tall.**

All contents of these instructions are the sole property of Bratt Décor, Inc. and may not be reproduced in any way without the specific written agreement of Bratt Décor, Inc. Any violation of this will be prosecuted under the federal copyright laws.

# FASTENERS

shown actual size



H	Medium Machine Screw	4
I	Wing Nut	4
J	Long Machine Screw	8
K	Short Machine Screw	4
L	Small Machine Screw	2
M	Plastic Bushing	2
N	Metal Guide Pin	2
O	Metal Cross Dowel	4

## Tools required

P	Hex Tool (provided)	1
	Phillips Head Screwdriver	

## Maintenance:

Once a week inspect the crib for any damaged hardware, loose joints, missing parts or sharp edges. Discontinue using the crib if any parts are missing or broken, contact Bratt Decor, Inc. for replacement parts if needed. Cleaning: if crib is dirty, wipe with a cloth dampened with warm water.

**Do not use solvents. Storage: store in a dry place.**

Warning: If this crib is not purchased new, do not use it until you have contacted Bratt Decor, Inc. to find out if the crib conforms to the current safety standards.

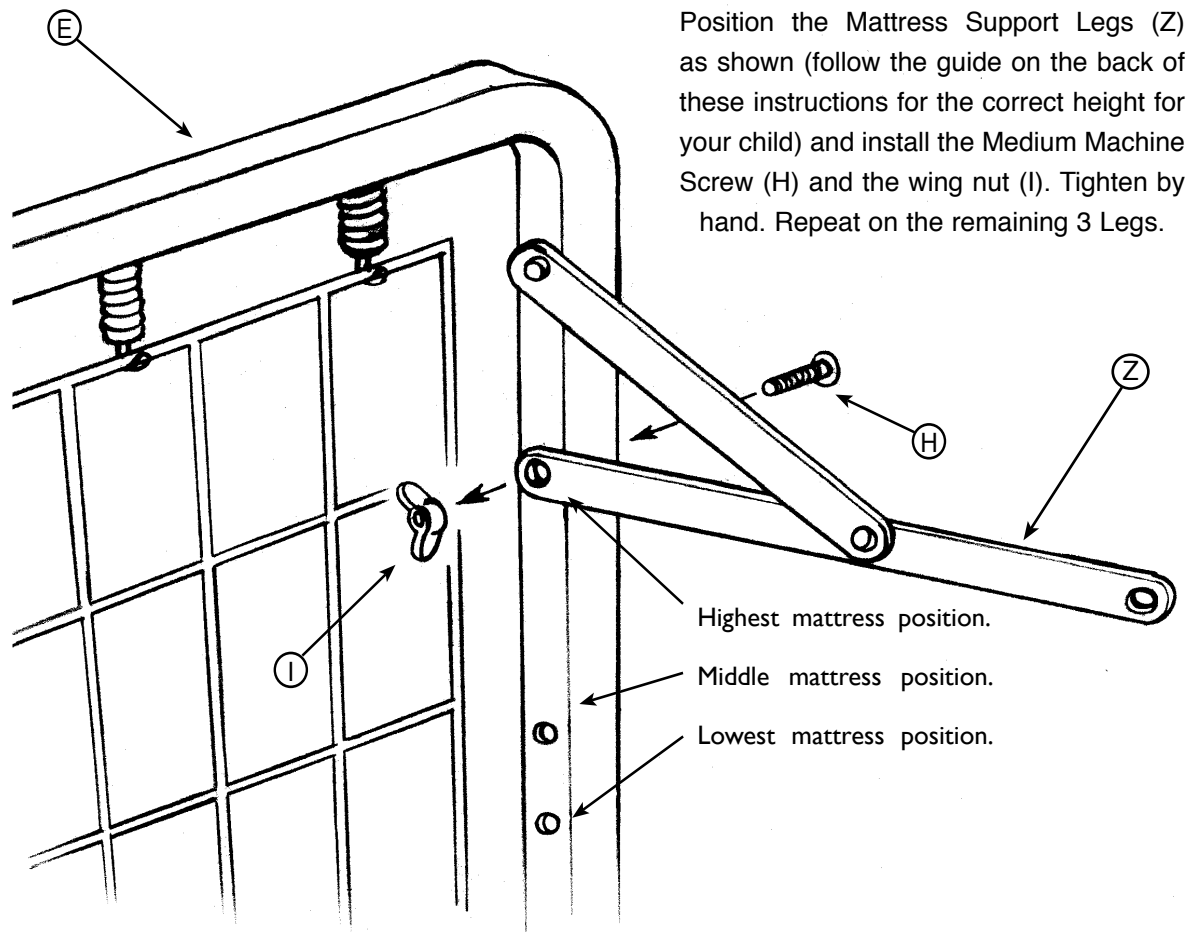
**Place these assembly instructions and the hex tool in the bag provided on the mattress support. You will need these assembly instructions every time you assemble this crib.**

For more information on the proper position for the Mattress Support, please refer to the back of this page under the heading:

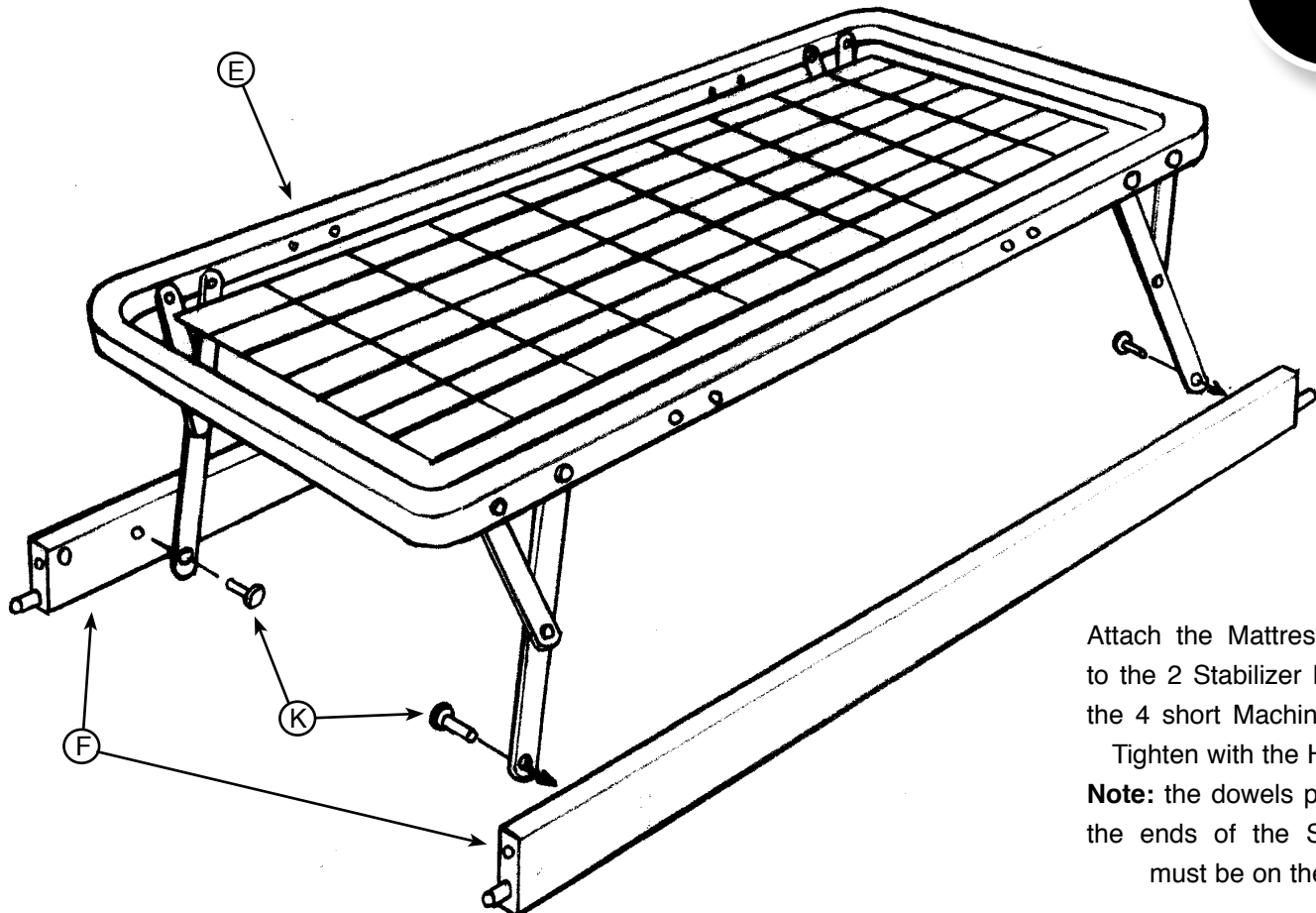
"Mattress Positions"

**CAUTION:**

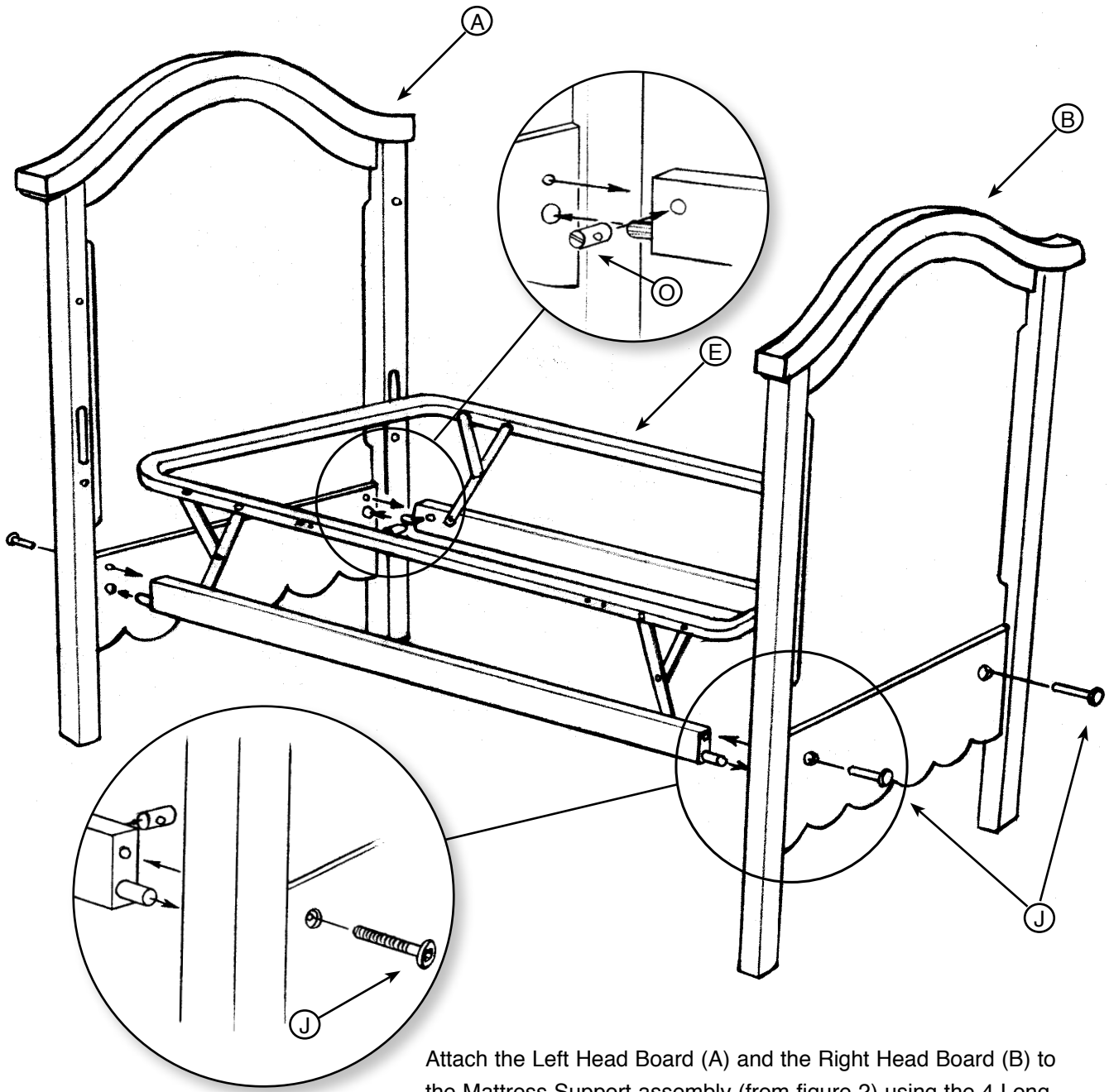
Under no circumstances should the child be allowed to use this crib when they reach 35 inches tall.



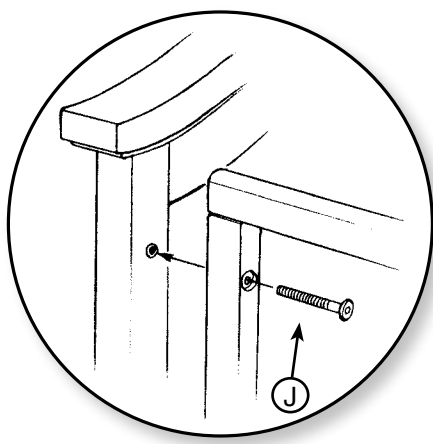
1  
2



# 3



Attach the Left Head Board (A) and the Right Head Board (B) to the Mattress Support assembly (from figure 2) using the 4 Long Machine Screws (J) and the 4 Metal Cross Dowels (O). Do not tighten these screws until you have completed step 4.

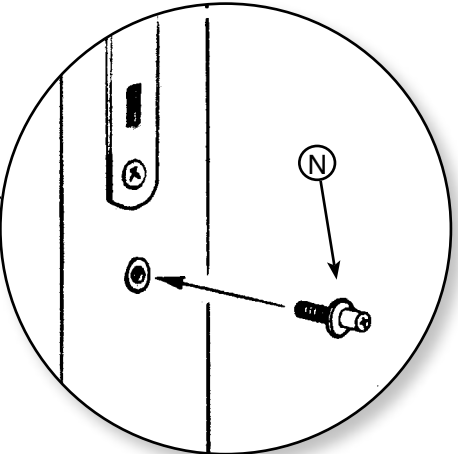
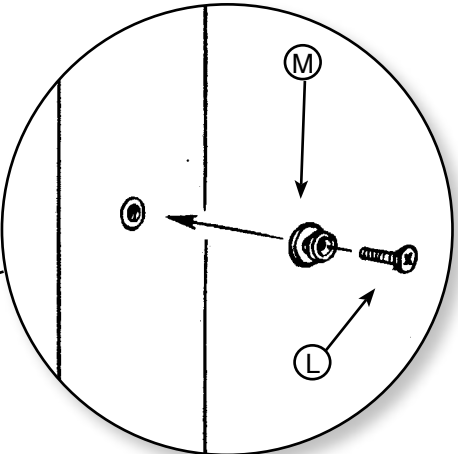
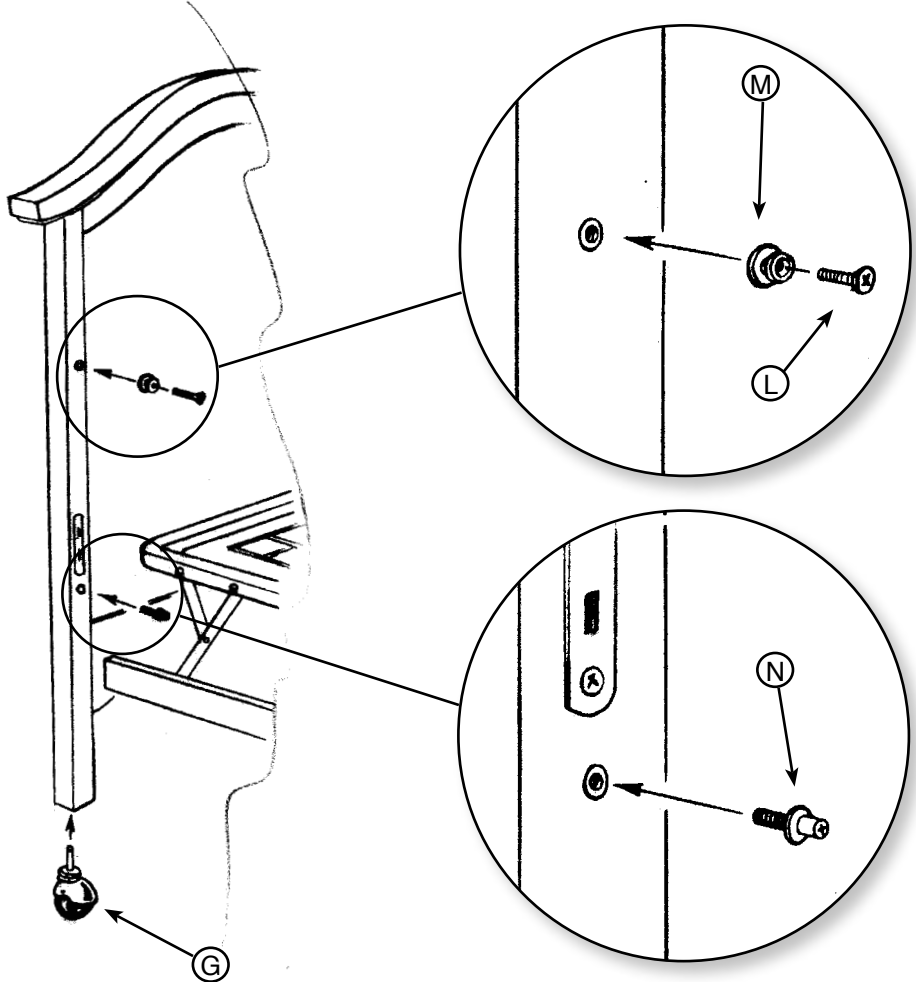


Attach the Back Piece (C) using the 4 remaining Long Machine Screws (J). Use the Hex Tool (P) to tighten these screws. Now tighten the 4 Long Machine Screws shown as (J<sub>1</sub>) using the Hex Tool.

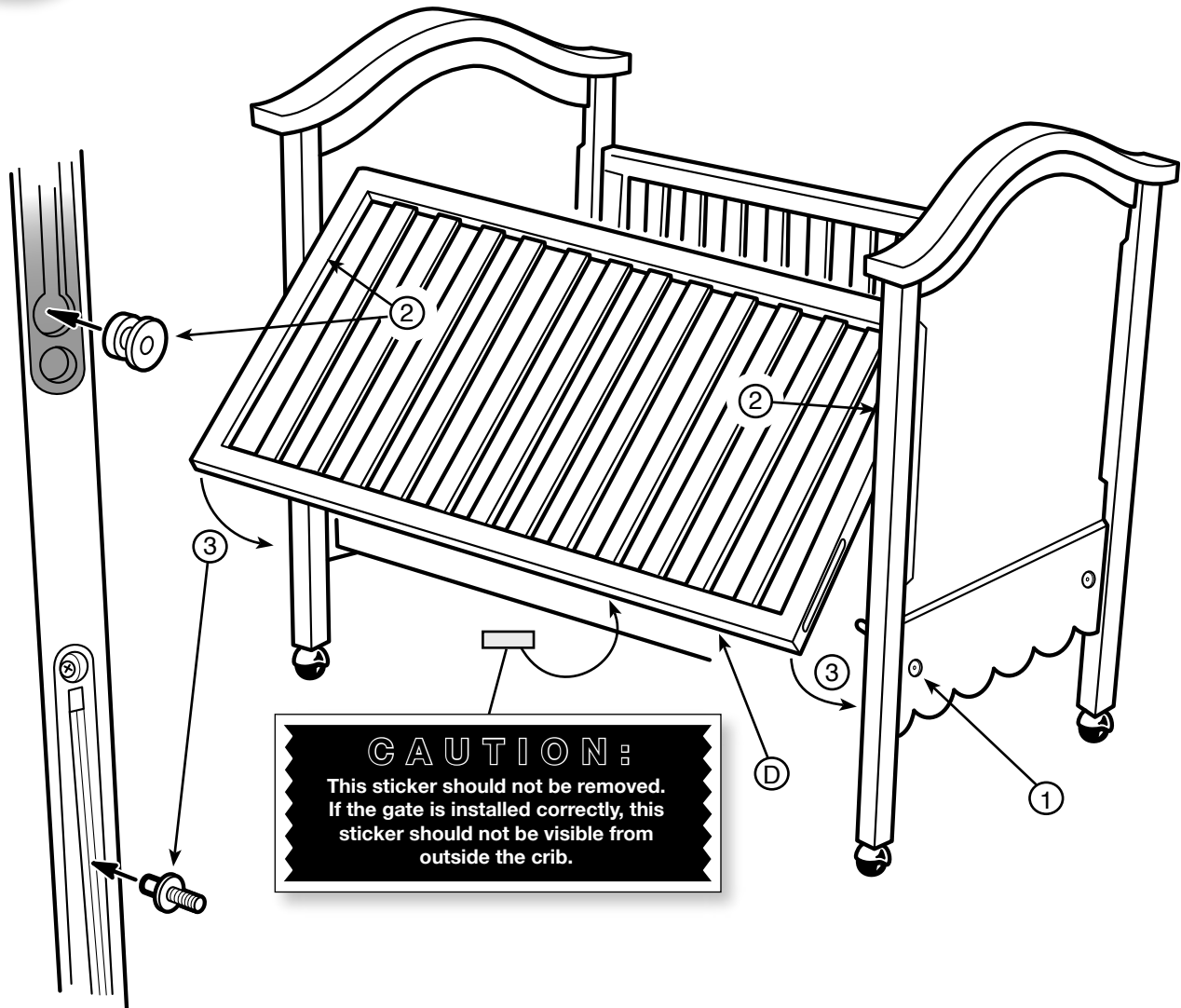
**4**  
**5**

Install the Plastic Bushing (M) using a Small Machine Screw (L). Do not over tighten. Now install the Metal Guide Pin (N), and tighten with a Phillips Head screwdriver. Repeat this installation on the right side of the crib.

Install the Casters (G) by pushing them firmly (until they click into place) into the mounting bushings on the bottom of the legs.



6



#### Install the Front Gate (D) as shown.

- Step 1:** Using the Hex Tool, loosen the screw shown as (1) and separate the Head Board from the Stabilizer Bar about 1/4" (only on one side).
- Step 2:** Place the Front Gate (D) at an angle as shown (making sure the sticker is on the underside of the gate as indicated). On one side at a time, insert the Plastic Bushing (M) into the black plastic channel on the side of the Front Gate (D). Repeat on the other side.
- Step 3:** Swing the bottom of the gate down and fit the Metal Guide pins (N) into the Plastic Slots on the side of the Front Gate (D).
- Step 4:** Using the Hex Tool, tighten the screw (1) again.

#### Raising and lowering the gate:

To lock the gate into the top position, simply raise the gate until the mechanism engages.

To lower the gate, first lift the gate slightly, then, with your knee, push against the center of the bottom rail of the front gate while simultaneously lowering the gate with your hand.

# **WARNING:**

**FAILURE TO FOLLOW THESE WARNINGS AND ASSEMBLY INSTRUCTIONS COULD RESULT IN SERIOUS INJURY OR DEATH.**

\* Read all instructions before assembling crib.

## **KEEP INSTRUCTIONS FOR FUTURE USE.**

\* Before each usage or assembly, inspect crib for damaged hardware, loose joints, missing parts or sharp edges. **DO NOT** use crib if any parts are missing or broken. Ask your dealer or write to BRATT DECOR, INC. for replacement parts and instructional literature if needed. **DO NOT** substitute parts.

\* After raising side, make sure latches are secure.

\* When child is able to climb out or reaches the height of 35" (90 cm), the crib shall no longer be used.

\* **DO NOT** place crib near window where cords from blind or drapes may strangle a child.

\* If refinishing, use a non-toxic finish specified for children's products.

\* **DO NOT** leave child in crib with side lowered. Be sure side is in raised and locked position whenever child is in crib.

\* When child is able to pull to standing position, set mattress to lowest position and remove bumper pads, large toys and other objects that could serve as steps for climbing out.

\* Never use plastic shipping bags or other plastic film as mattress covers because they can cause suffocation.

\* **DO NOT** use a water mattress with this crib.

# **CAUTION:**

It is extremely important to make sure all bolts and other fasteners are securely tightened and checked for tightness at least once a week.

# **WARNING:**

Strings can cause strangulation! Do not place items with a string around a child's neck, such as hood strings or pacifier cords. Do not suspend strings over a crib or attach strings to toys.

# **CAUTION:**

**ANY MATTRESS USED IN THIS CRIB MUST BE AT LEAST 27 1/4 INCHES BY 51 5/8 INCHES WITH A THICKNESS NOT EXCEEDING 6 INCHES.**