



“Jane”
baby crib

This crib conforms to the standards of the U.S.
Product Consumer safety commission.

w w w . m a i n s t r e e t b a b y . c o m

Mattress Positions:

Please use the following guidelines as set forth by the American Academy of Pediatrics to decide which level is appropriate for your child:

LEVEL (1) highest position

To be used by newborns, until shortly before they can sit alone. Under no circumstances should the mattress support be in its highest position after the child can sit.

LEVEL (2 or 3) middle positions

To be used by babies who can sit, until shortly before they can stand. Under no circumstances should the mattress support be in the middle position after the child can stand. Either position can be used, it is your preference.

LEVEL (4) lowest position

The mattress support must be in its lowest position before the baby can stand.

Under no circumstances should the child be allowed to use this crib when they reach 35 inches tall.

WARNING:

FAILURE TO FOLLOW THESE WARNINGS AND ASSEMBLY INSTRUCTIONS COULD RESULT IN SERIOUS INJURY OR DEATH.

* Read all instructions before assembling crib.

KEEP INSTRUCTIONS FOR FUTURE USE.

* Before each usage or assembly, inspect crib for damaged hardware, loose joints, missing parts or sharp edges. DO NOT use crib if any parts are missing or broken. Ask your dealer or write to BRATT DECOR, INC. for replacement parts and instructional literature if needed. DO NOT substitute parts.

* After raising side, make sure latches are secure.

* When child is able to climb out or reaches the height of 35" (90 cm), the crib shall no longer be used.

* DO NOT place crib near window where cords from blind or drapes may strangle a child.

* If refinishing, use a non-toxic finish specified for children's products.

* DO NOT leave child in crib with side lowered. Be sure side is in raised and locked position whenever child is in crib.

* When child is able to pull to standing position, set mattress to lowest position and remove bumper pads, large toys and other objects that could serve as steps for climbing out.

* Never use plastic shipping bags or other plastic film as mattress covers because they can cause suffocation.

* DO NOT use a water mattress with this crib.

* Replace teething rail if damaged or loose

CAUTION:

It is extremely important to make sure all bolts and other fasteners are securely tightened and checked for tightness at least once a week.

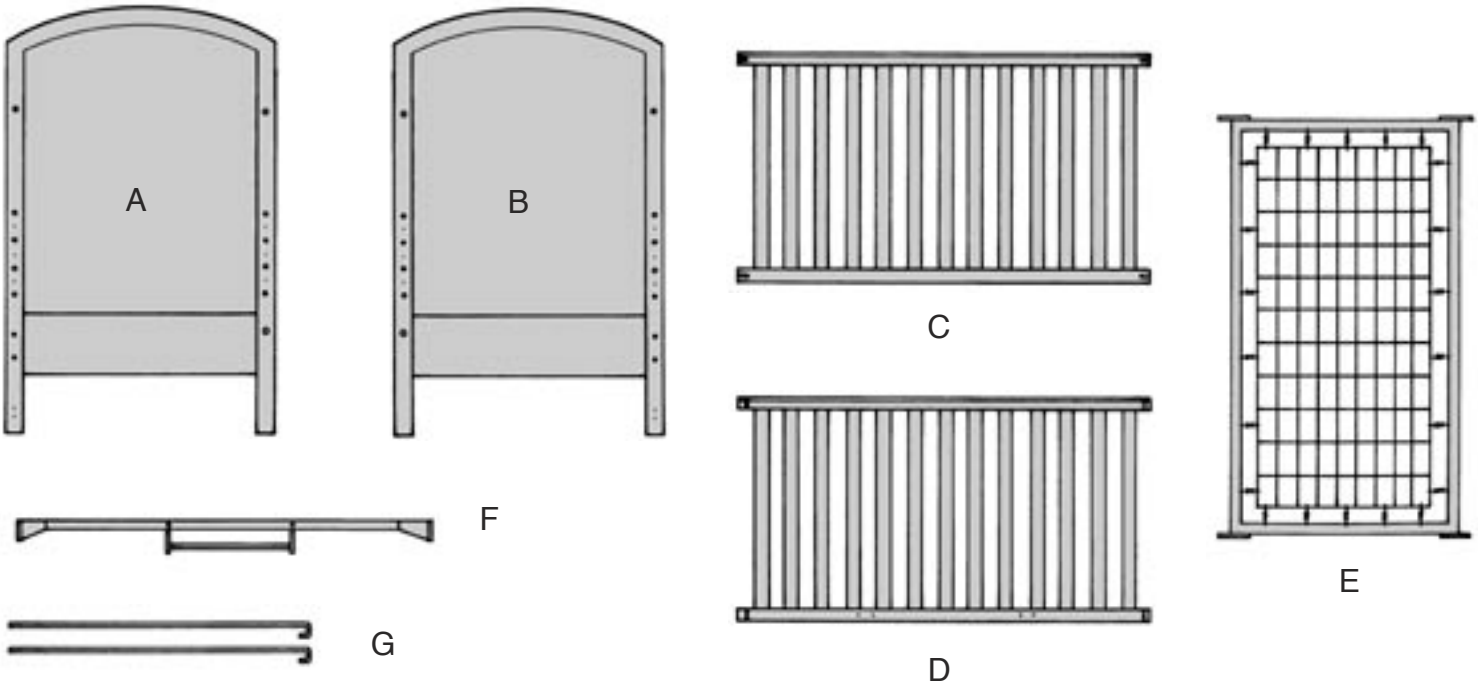
WARNING:

Strings can cause strangulation! Do not place items with a string around a child's neck, such as hood strings or pacifier cords. Do not suspend strings over a crib or attach strings to toys.

CAUTION:

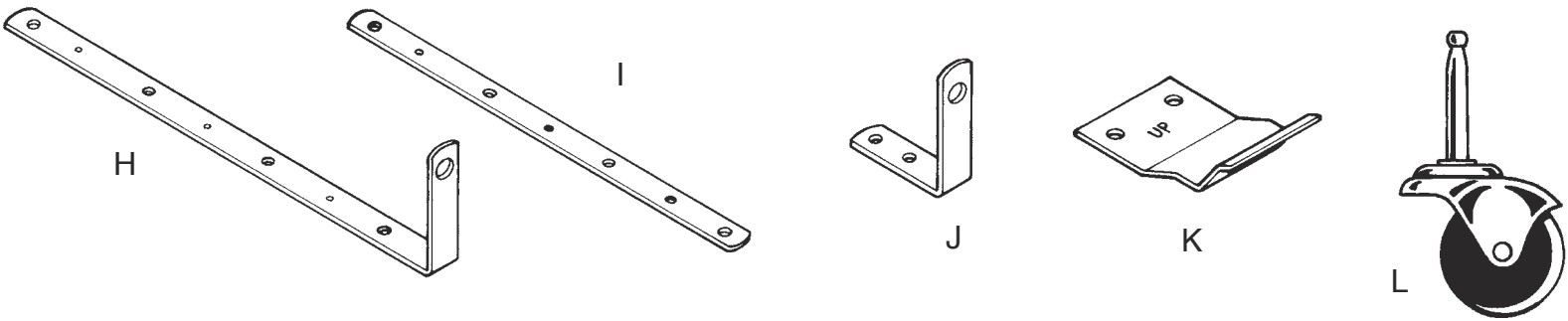
ANY MATTRESS USED IN THIS CRIB MUST BE AT LEAST 27 1/4 INCHES BY 51 5/8 INCHES WITH A THICKNESS NOT EXCEEDING 6 INCHES.

LARGE COMPONENTS



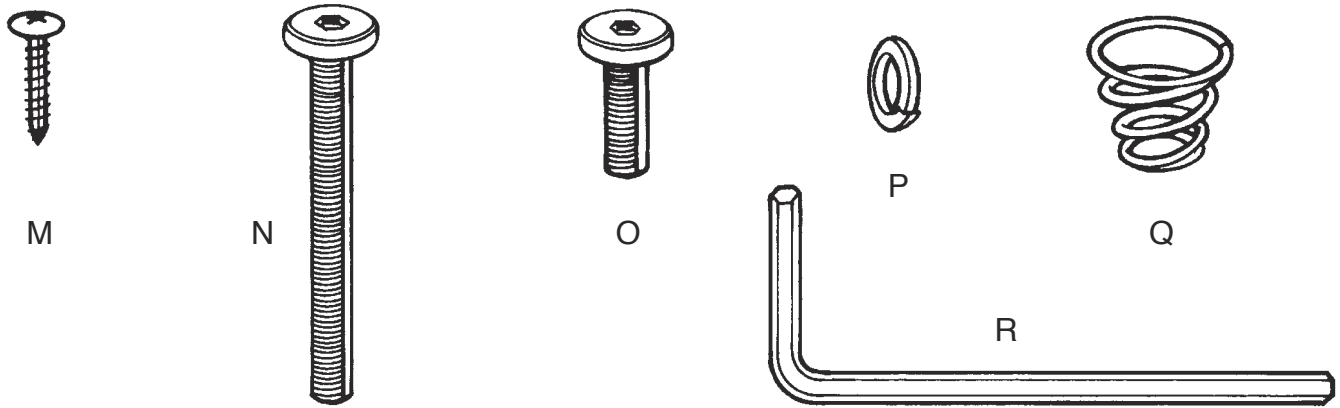
	Component	Qty.
A	Left Side Piece	1
B	Right Side Piece	1
C	Back Piece	1
D	Front Gate	1
E	Mattress Support	1
F	Stabilizer Bar	1
G	Slide Rods	2

SMALL COMPONENTS



FASTENERS

shown actual size



H	Front Bracket	2
I	Back Bracket	2
J	L Bracket	2
K	Strike Plate	2
L	Casters	4

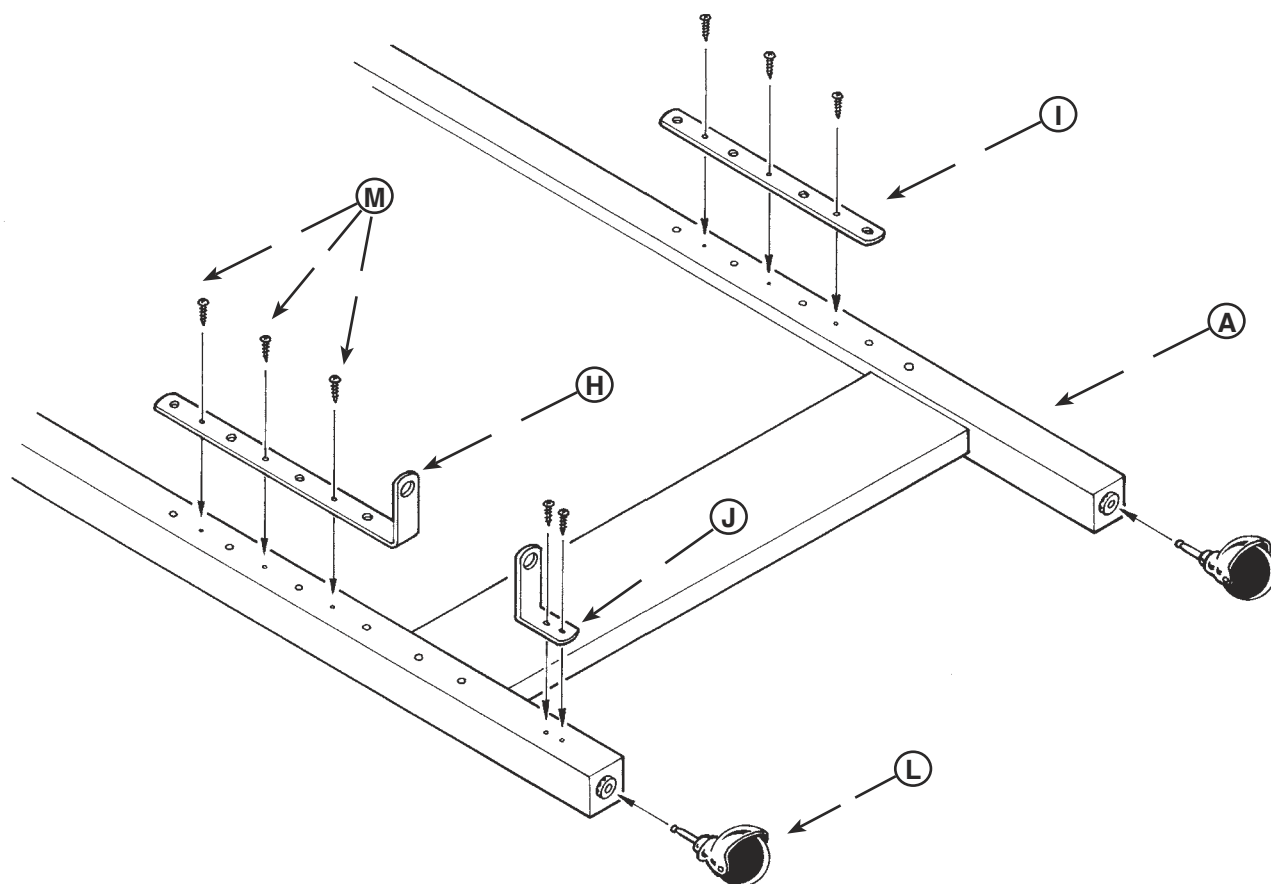
M	Wood Screw	20
N	Long Machine Screw	4
O	Short Machine Screw	10
P	Split Washer	10
Q	Spring	2

Tools required		
R	Hex Tool (provided)	1

Phillips Head Screwdriver

Note: All pilot holes have been precisely drilled.
DO NOT drill any new holes during assembly.

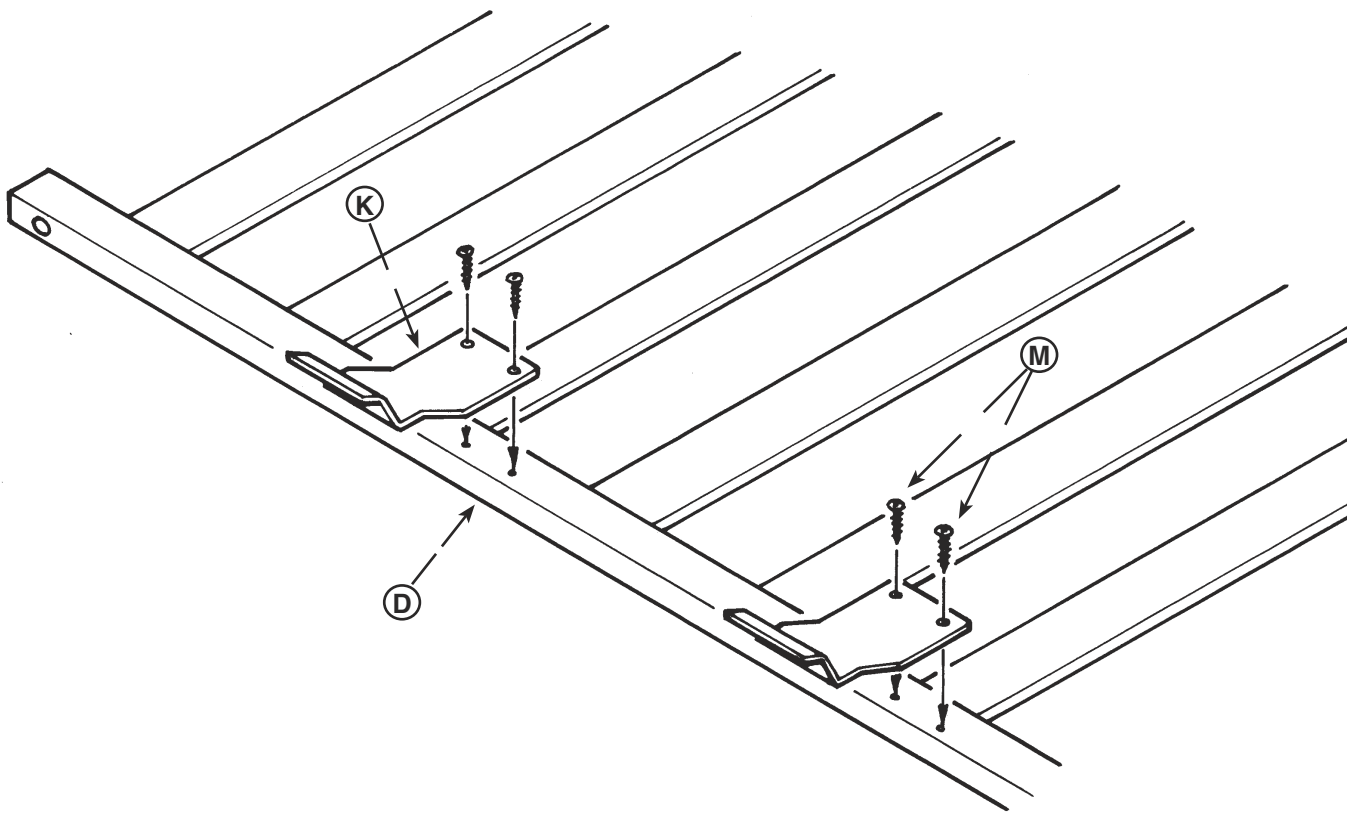
1



Attach the Front Bracket (H), the Back Bracket (I) and the L Bracket (J) to the Side Piece (A) using 8 of the Wood Screws (M). Insert the casters by pushing them firmly (until they click into place) into the mounting bushings on the bottom of the legs. Now repeat this for Side Piece (B).

Note: All pilot holes have been precisely drilled.
DO NOT drill any new holes during assembly.

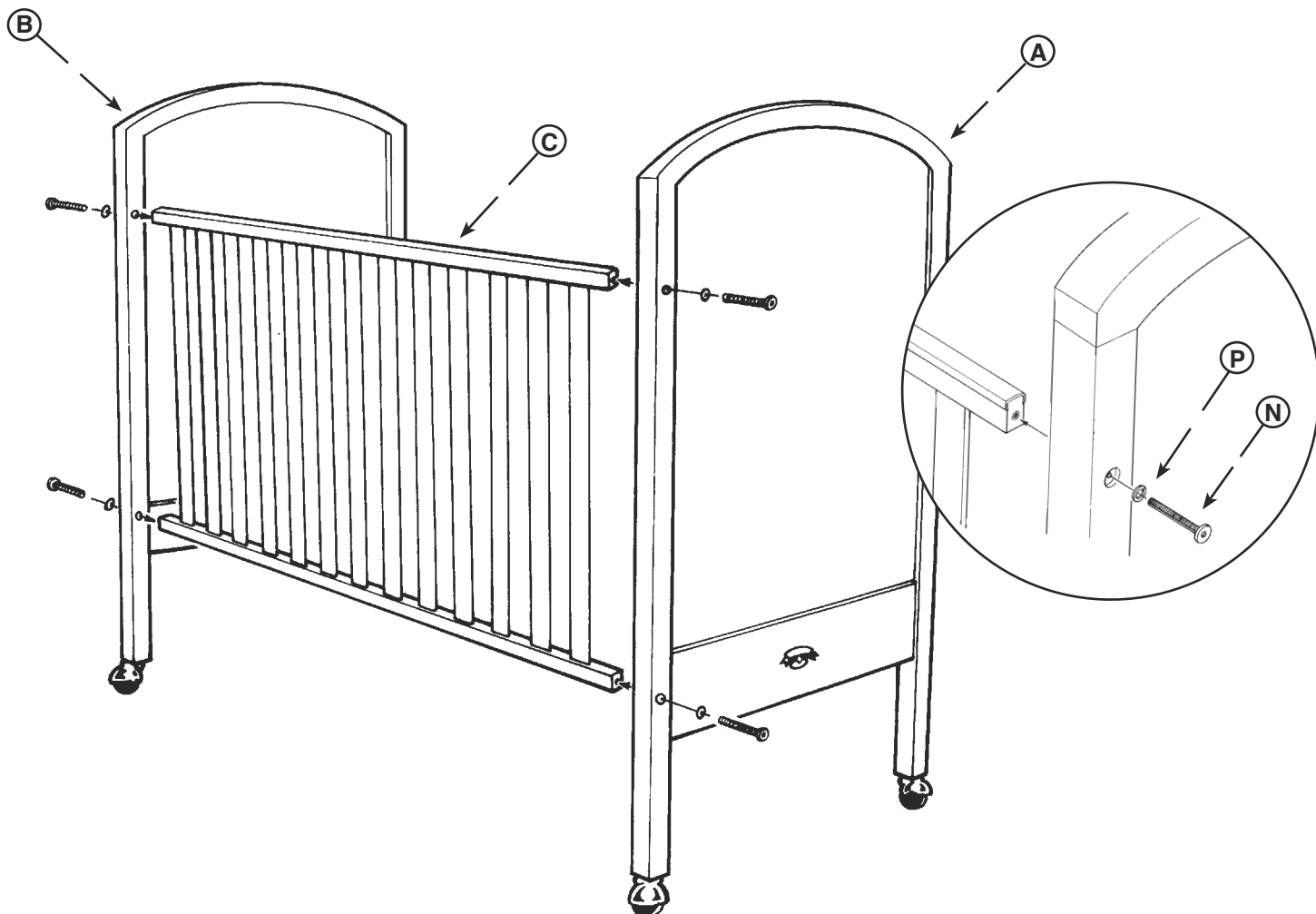
2



Attach the 2 Strike Plates (K) to the front gate using 4 of the Wood Screws (M). Note, the pilot holes are pre-drilled.

Note: All pilot holes have been precisely drilled.
DO NOT drill any new holes during assembly.

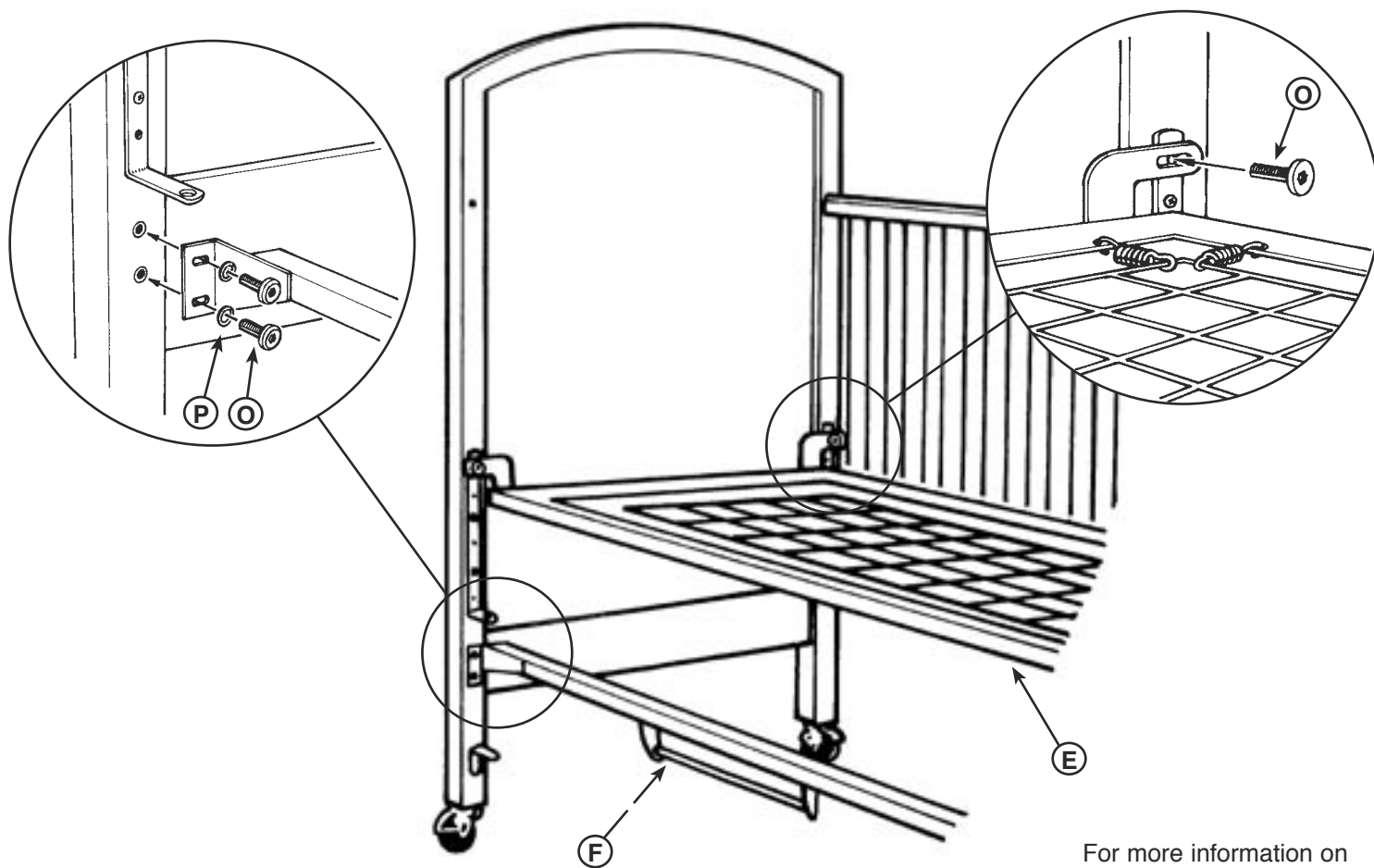
3



Attach the Back Piece to the Left Side (A) and the Right Side (B) using the 4 Long Machine Screws (N) and 4 of the Split Washers (P). Use the Hex Tool (R) to tighten the screws.

Note: All pilot holes have been precisely drilled.
DO NOT drill any new holes during assembly.

4



Attach the Stabilizer Bar (F) using 4 of the Short Machine Screws (O) and 4 of the Split Washers (P). Please make sure the Stabilizer bar is installed as shown.

Attach the Mattress support using 4 of the Short Machine Screws (O). Use the Hex Tool (R) to tighten these screws.

For more information on the proper position for the Mattress support, please refer to the back of this page under the heading:

“Mattress positions”

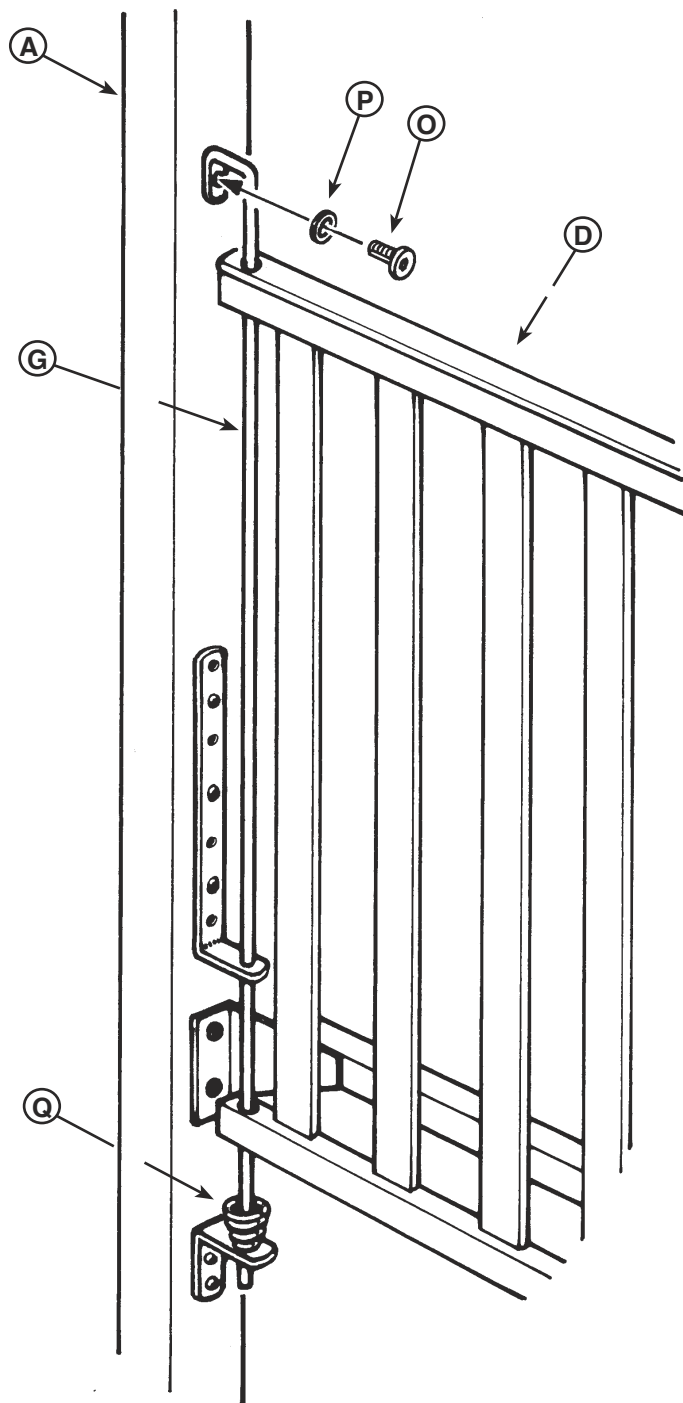
CAUTION:

Under no circumstances should the child be allowed to use this crib when they reach 35 inches tall.

Note: All pilot holes have been precisely drilled.
DO NOT drill any new holes during assembly.

5

Finally, install the Front Gate with the strike plates pointing inside the crib. Insert one of the Slide Rods (G) through the top hole of the gate, then through the top bracket, then through the hole on the bottom of the Front Gate, through one Spring (Q) and finally through the L Bracket. Attach the slide rod using 1 Short Machine Screw (O) and 1 Split Washer (P). Now repeat on the other side.



Maintenance:

Once a week inspect the crib for any damaged hardware, loose joints, missing parts or sharp edges. Discontinue using the crib if any parts are missing or broken, contact Bratt Decor, Inc. For replacement part if needed.

Cleaning: if crib is dirty, wipe with a cloth dampened with warm water.

Do not use solvents.

Storage: store in a dry place.

Warning: if this crib is not purchased new, do not use it until you have contacted Bratt Decor, Inc. To find out if the crib conforms to the current safety standards.

Place these assembly instructions and the hex tool in the bag provided on the mattress support. You will need these assembly instructions every time you assemble this crib.

Bratt Decor, Inc.

P.O.Box 20808

Baltimore, MD 21209

1 888 24 BRATT

www.mainstreetbaby.com