

“jane”

o p e n c h a n g e r



shown with optional bins



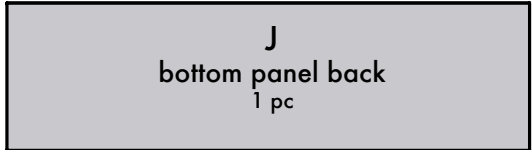
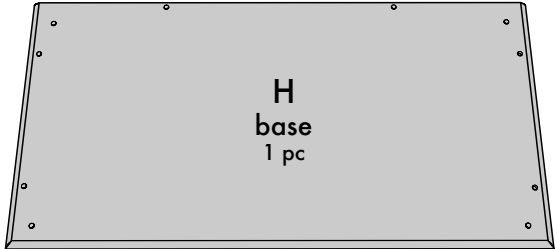
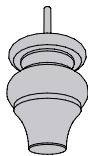
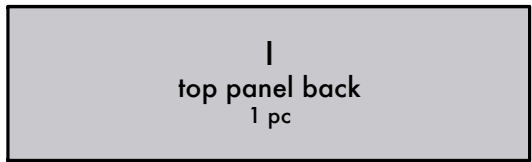
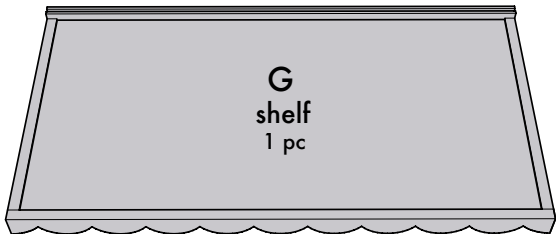
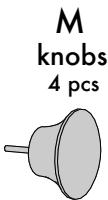
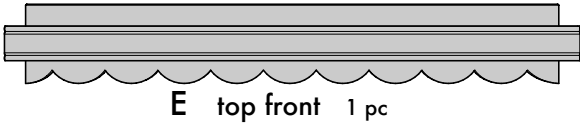
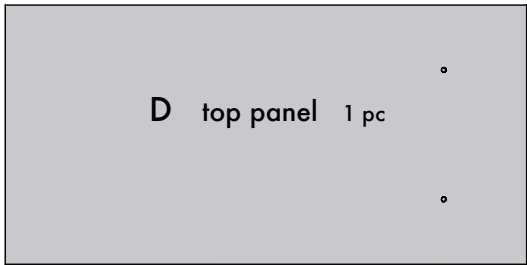
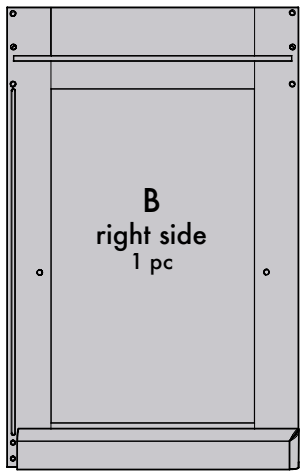
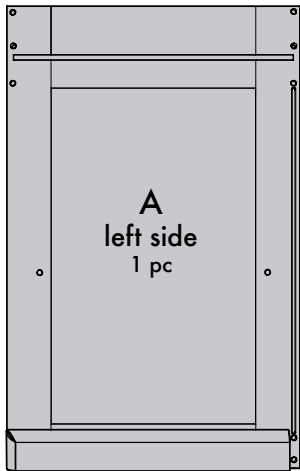
Model #
J N 1 2 - 1



W A R N I N G

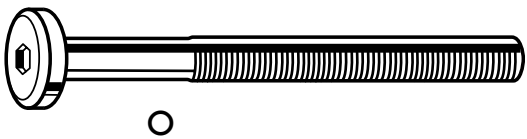
- To prevent serious or fatal injury from falls, always keep child within arm's reach.
- NEVER leave child unattended. ADULT SUPERVISION IS ALWAYS REQUIRED.
- Read all instructions before use of the changing table.
- Keep instructions for future use.
- DO NOT use the changing table if it is damaged or broken.
- When child reaches the weight of 30 lb (13.6 Kg), the changing table shall no longer be used.

LARGE COMPONENTS

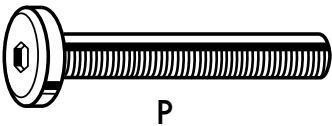


FASTENERS

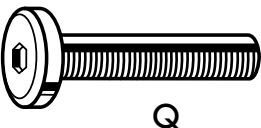
shown actual size



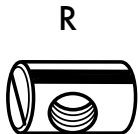
O Long machine screws 2



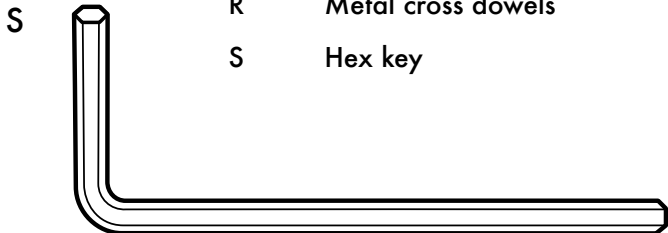
P Medium machine screws 4



Q Short machine screws 6



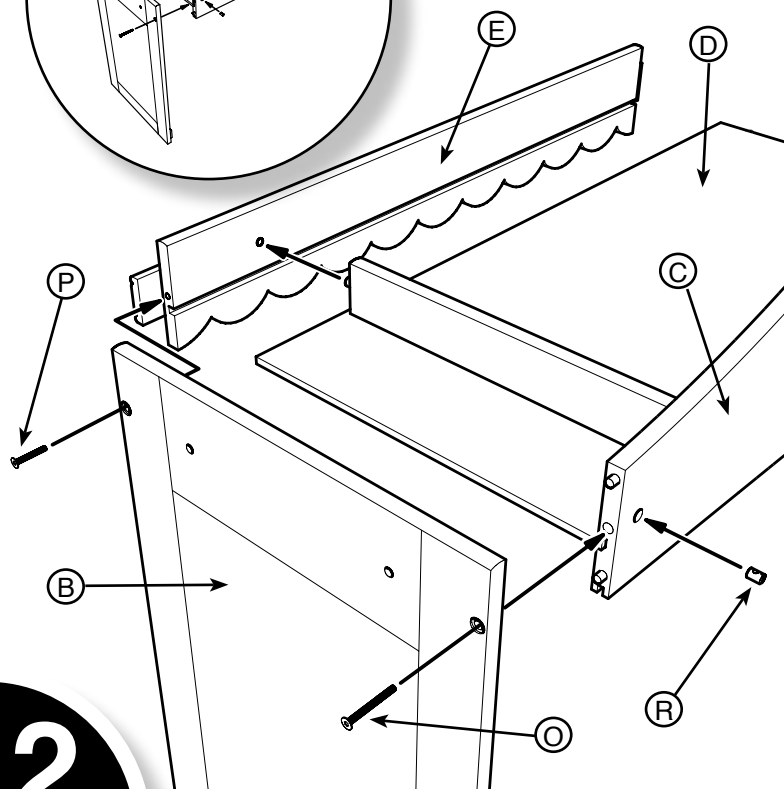
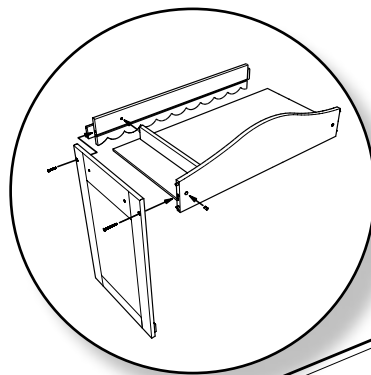
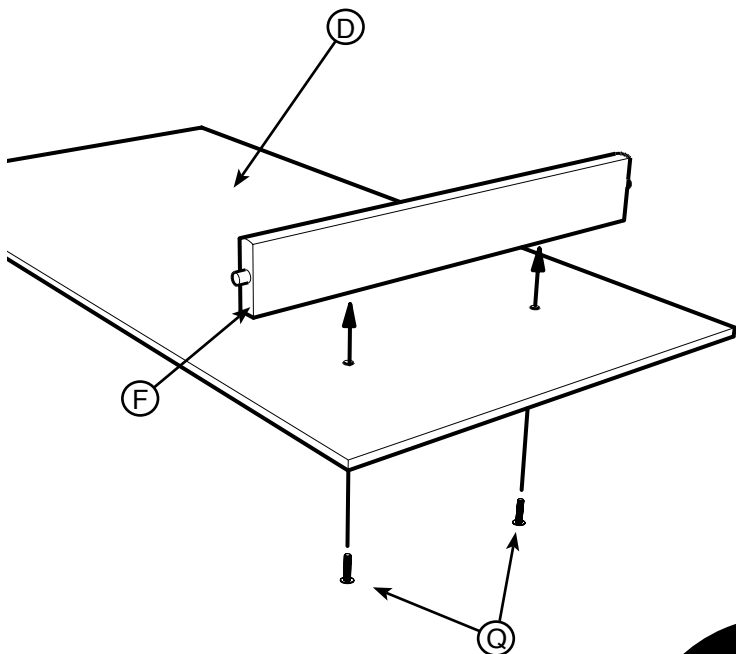
R Metal cross dowels 2



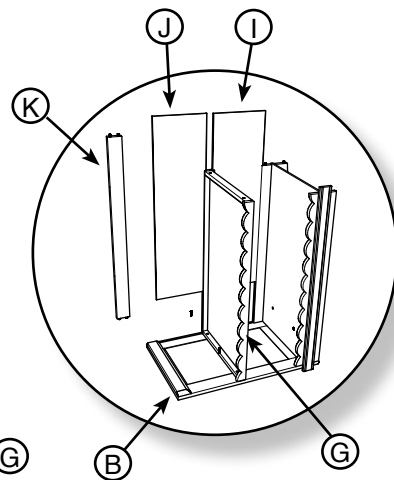
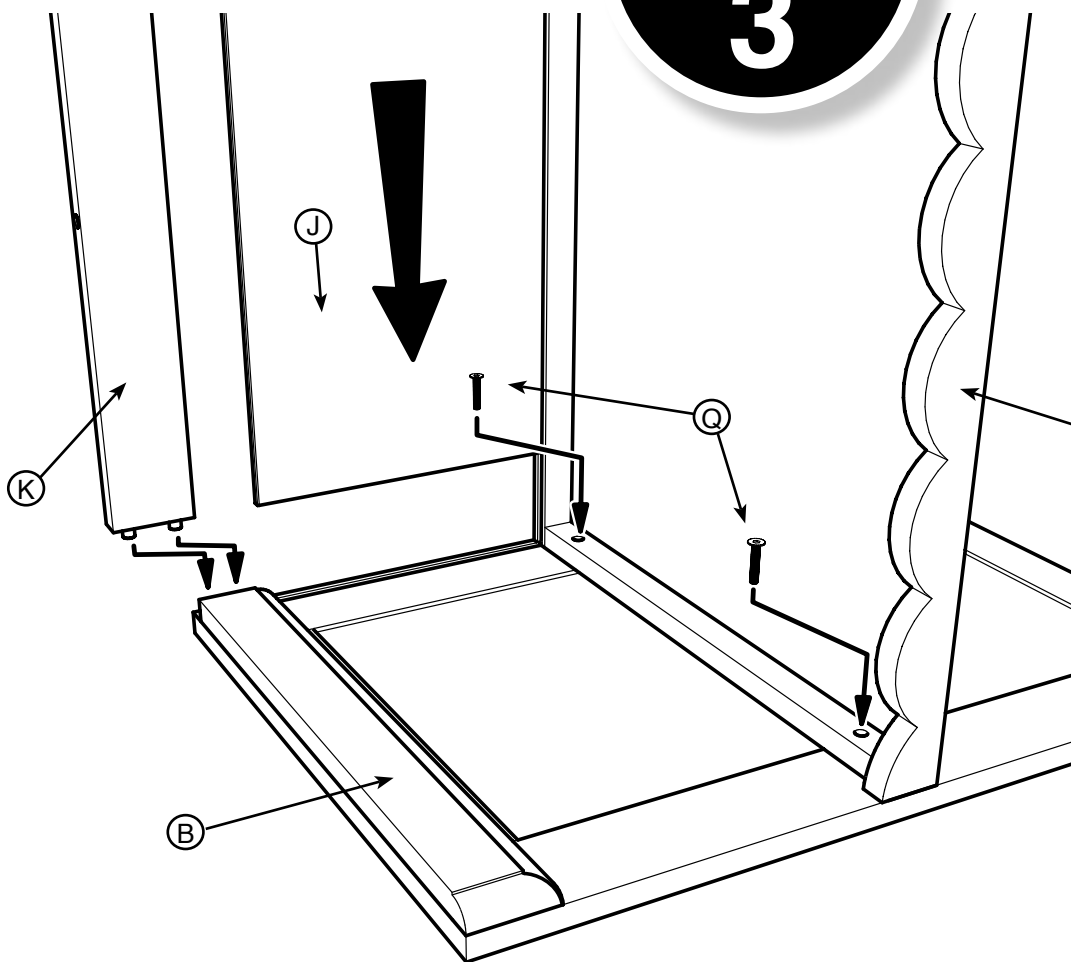
S Hex key 1

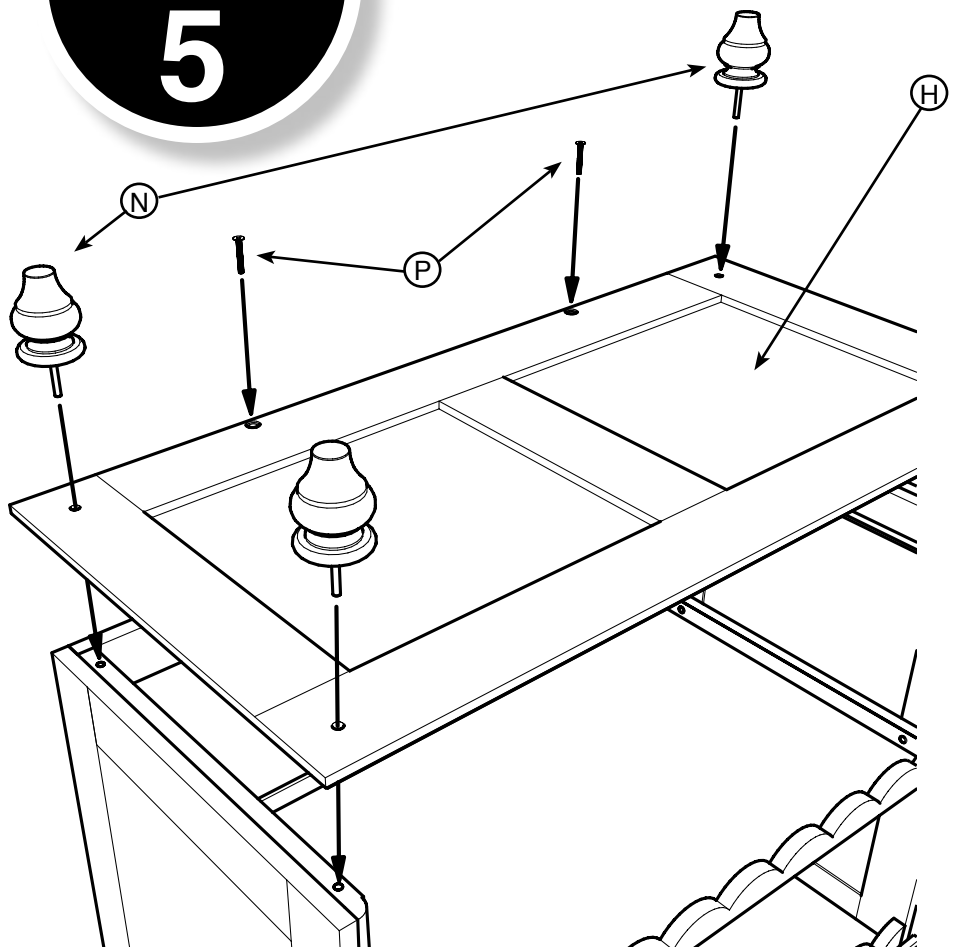
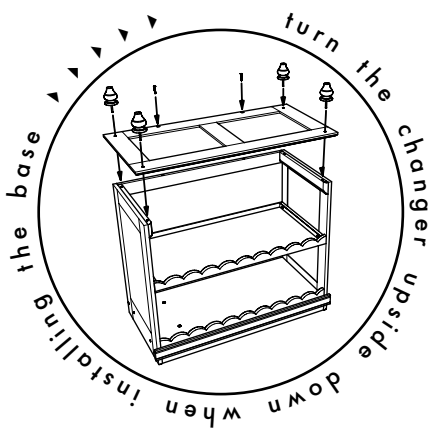
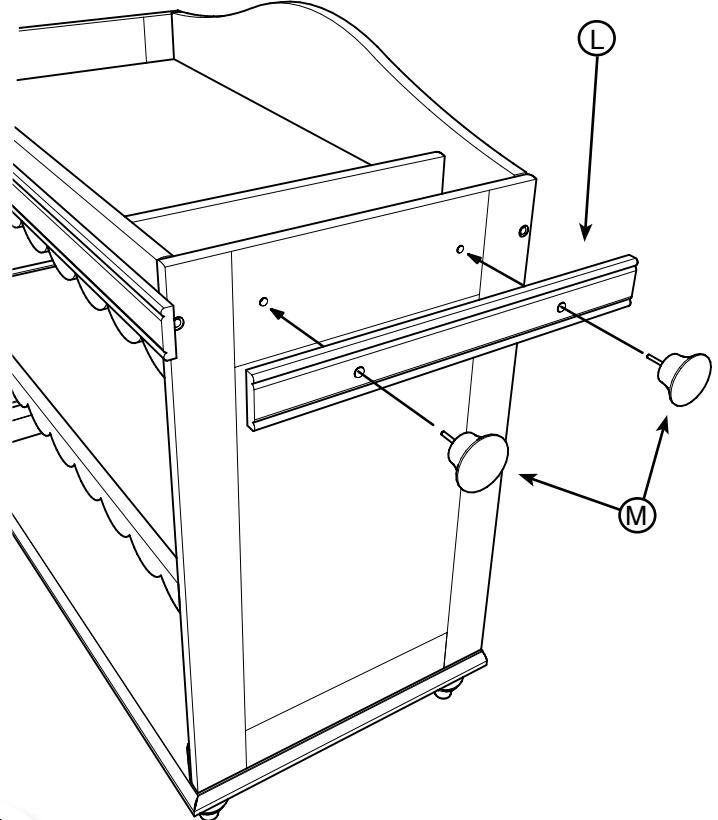
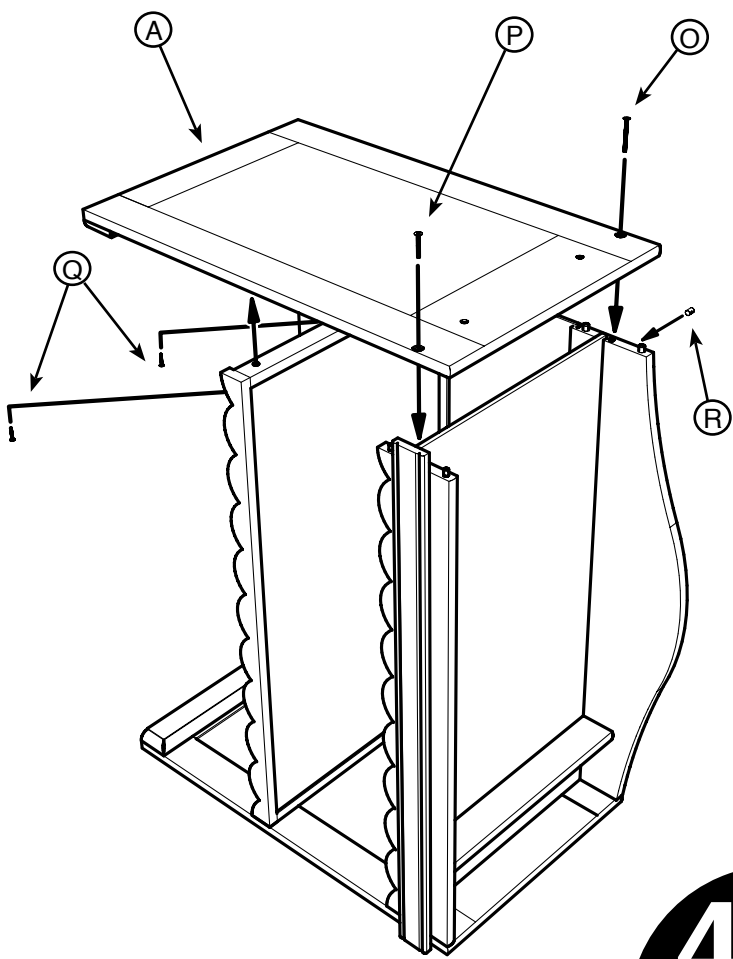
Warning:

If this changing table is not purchased new, do not use it until you have contacted Bratt Decor, inc. to find out if the changing table still conforms to the safety standards.



1 2 3





Maintenance:

Once a week inspect the changing table for any damaged hardware, loose joints, missing parts or sharp edges. Discontinue using the changer if any parts are missing or broken.

Cleaning:

If dirty, wipe the changing table with a damp cloth.

Storage:

Store in a dry place in the original box.