

“jane”

b o o k c a s e



bins and toys not included



Model #
J N 3 1 - 2

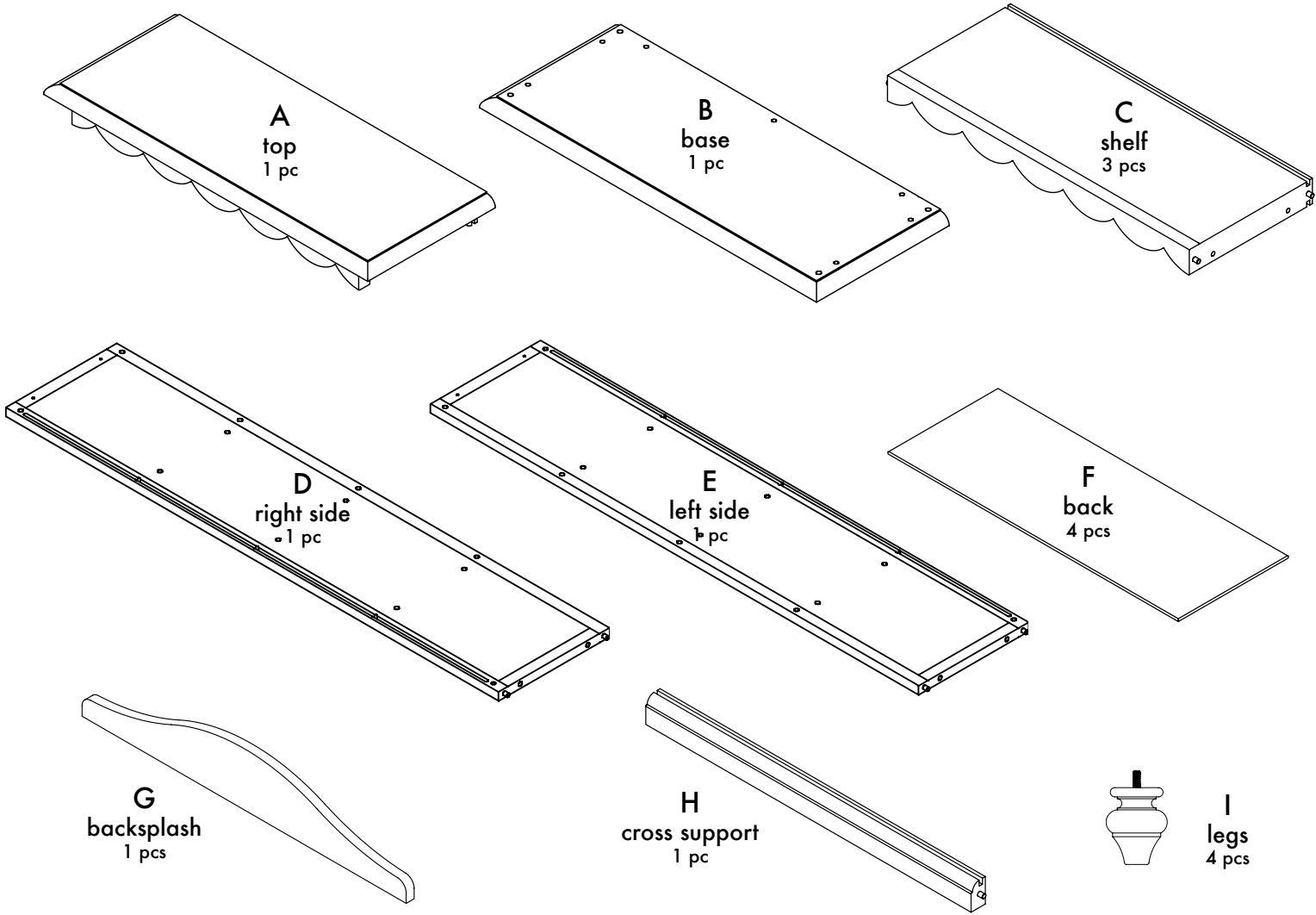


W A R N I N G

To prevent serious or fatal injury from falls, always secure the bookcase to a wall using a “anti-tipping” device.

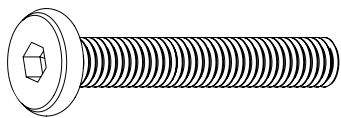
w w w . b r a t t d e c o r . c o m

LARGE COMPONENTS

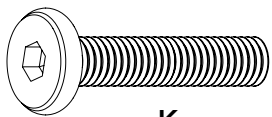


FASTENERS

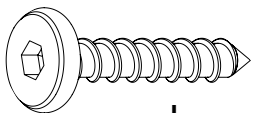
shown actual size



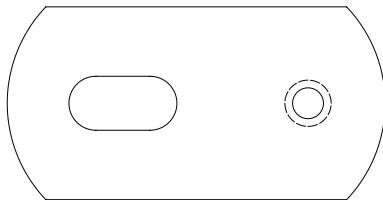
J



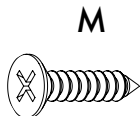
K



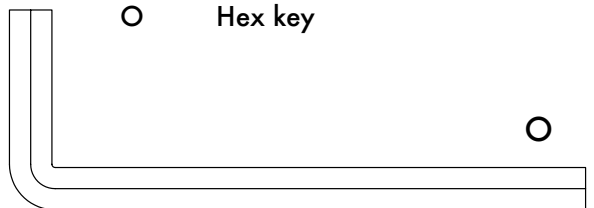
L



N

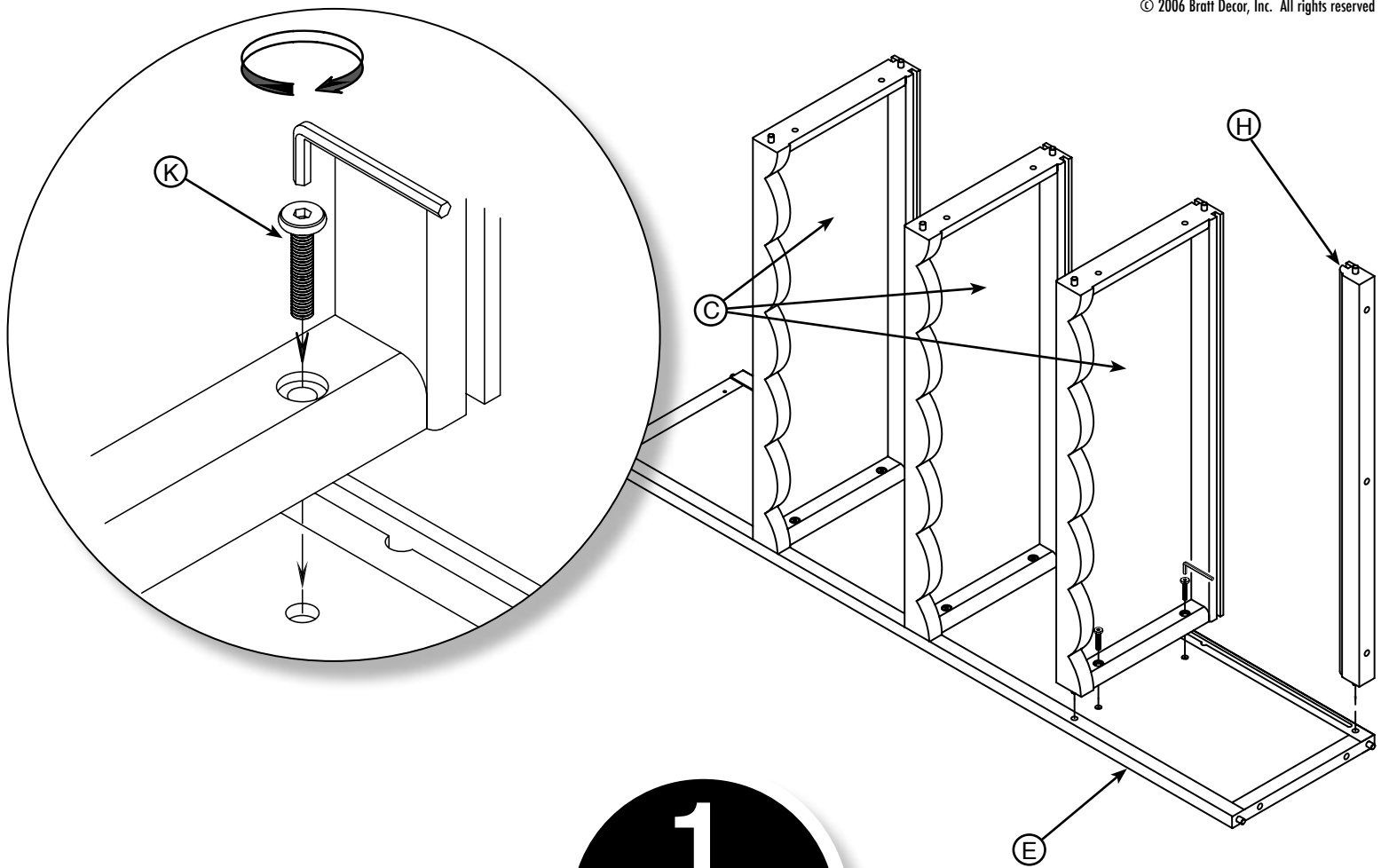


M

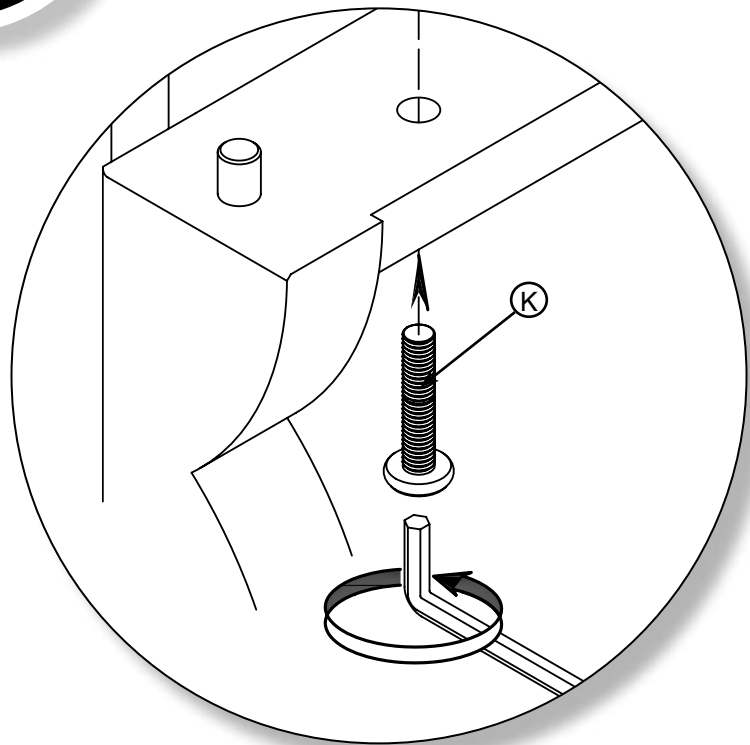
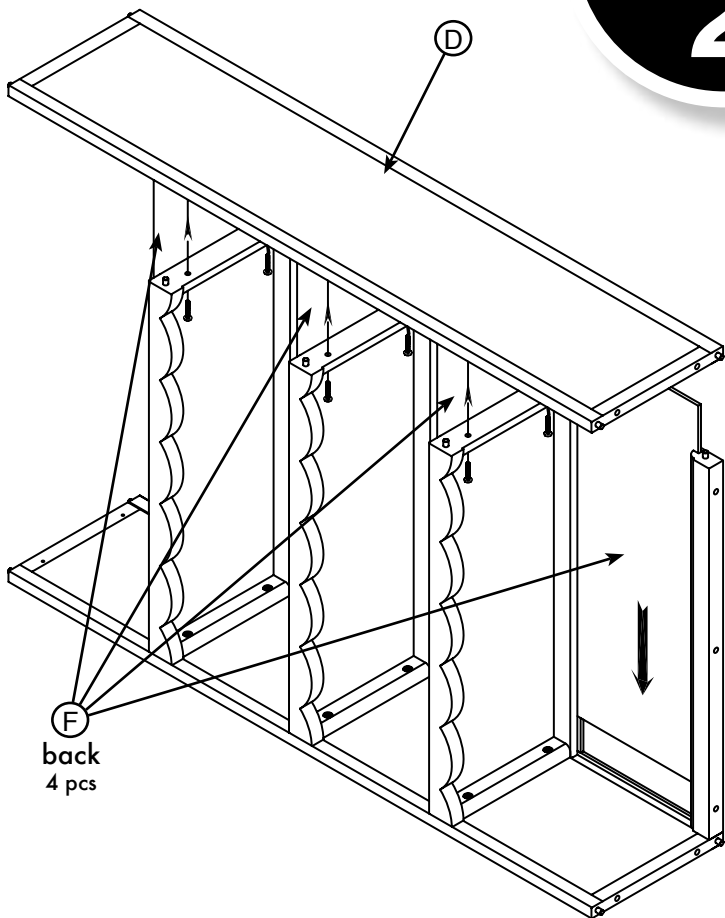


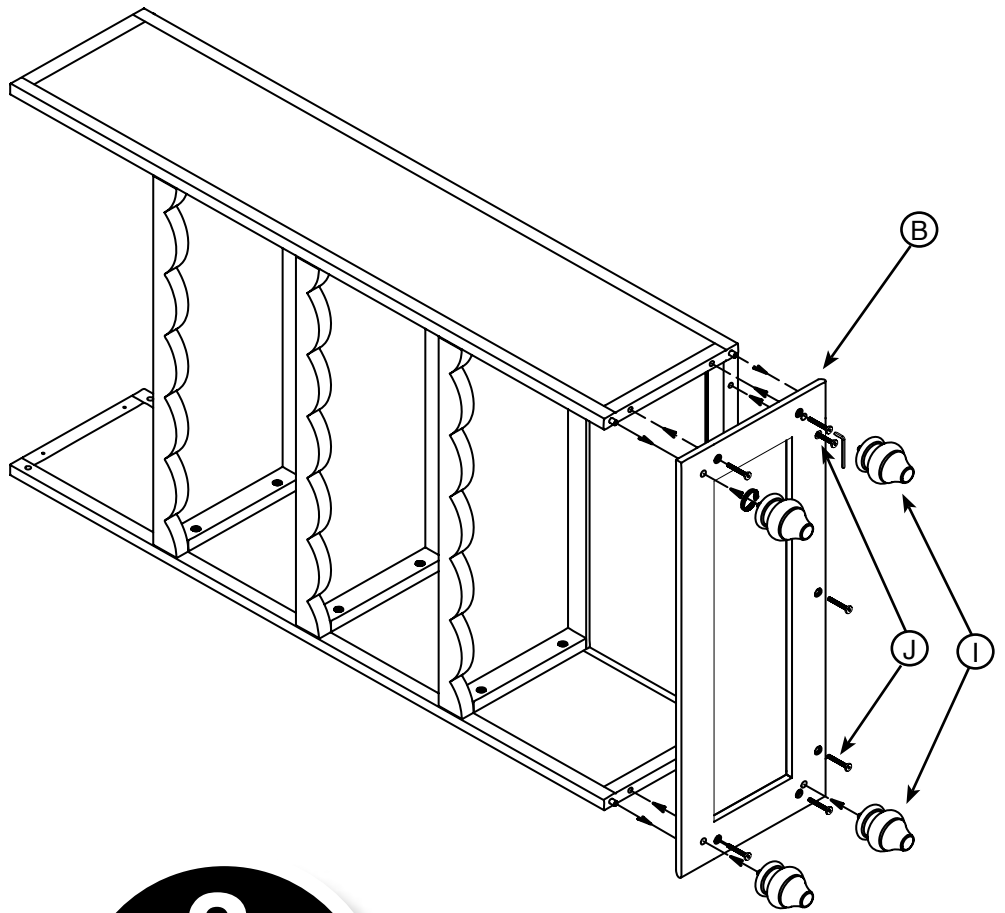
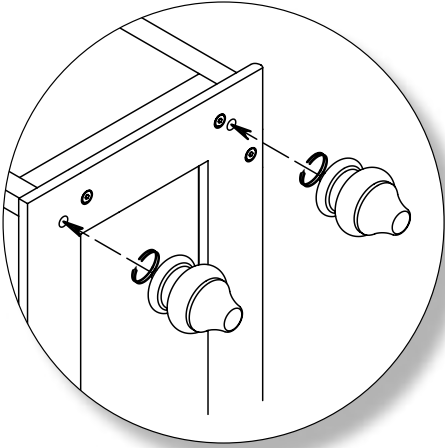
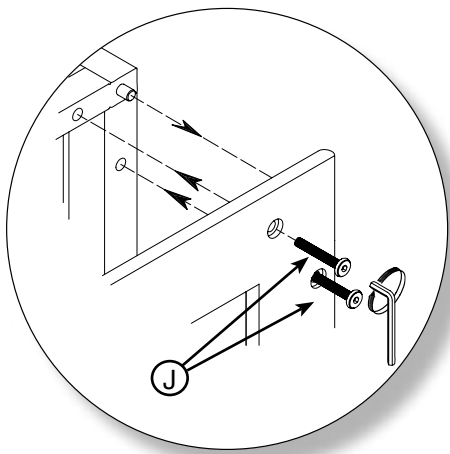
O

J	Long machine screws	7
K	Short machine screws	12
L	Hex wood screws	6
M	Phillips wood screws short	2
N	Metal brackets	2
O	Hex key	1



1
2





3 4

Maintenance:

Periodically inspect the bookcase for loose joints, missing parts or sharp edges. Discontinue using the bookcase if any parts are missing or broken.

Cleaning:

If dirty, wipe the bookcase with a damp cloth.

Storage:

Store in a dry place.

Option:

Please note: Adding the backsplash (G) is optional. This bookcase can be assembled with or without this backsplash.

