

“jane”

h u t c h



books and computer not included



Model #
J N 3 3 - H 2

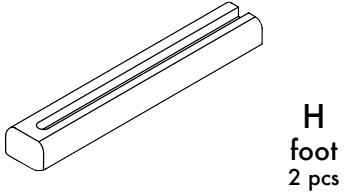
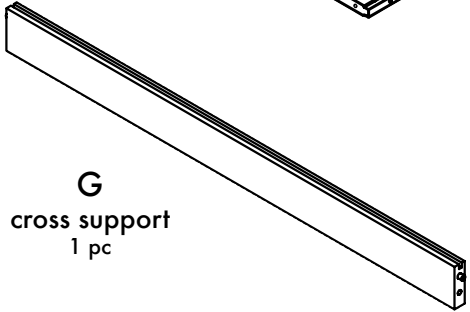
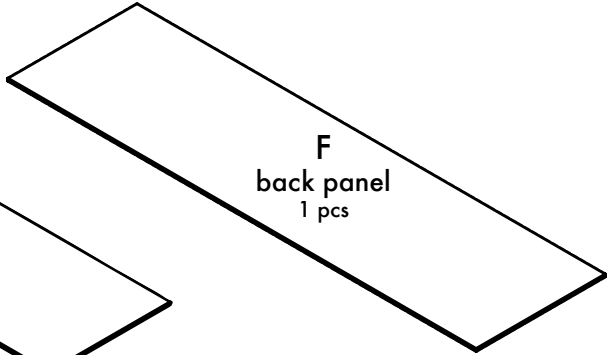
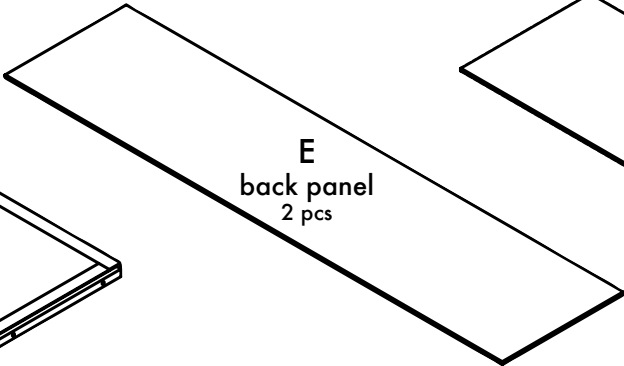
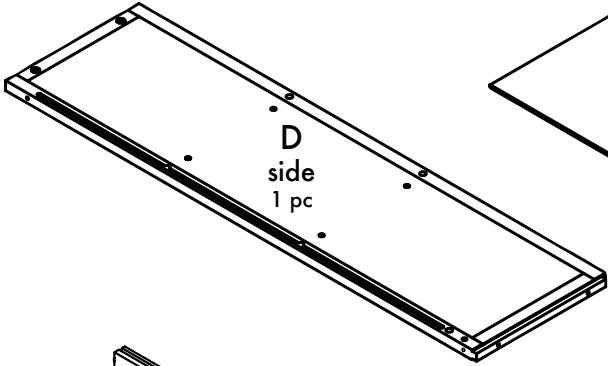
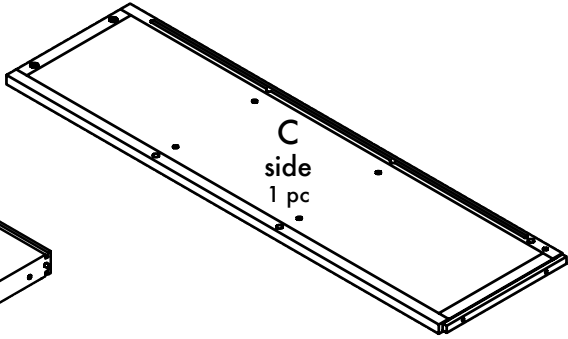
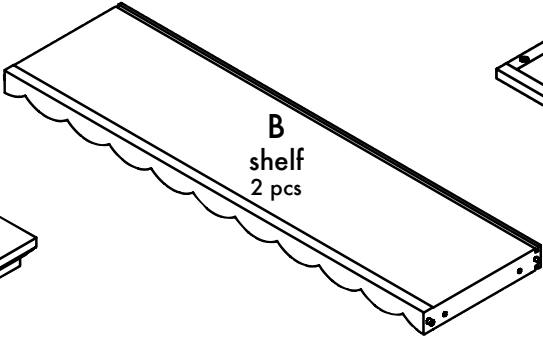
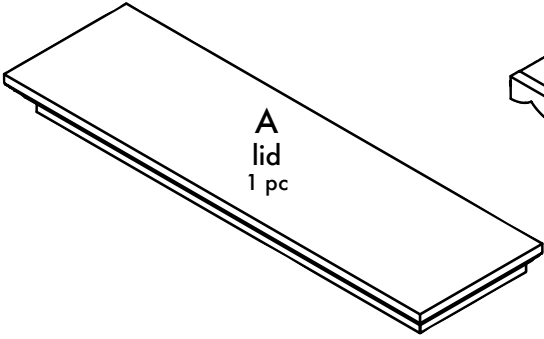


W A R N I N G

To prevent serious or fatal injury from falls, always secure the hutch to a wall using an “anti-tipping” device.

w w w . b r a t t d e c o r . c o m

LARGE COMPONENTS



FASTENERS

shown actual size



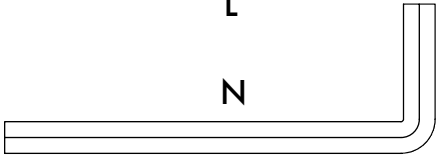
I



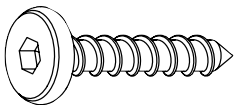
L



J



N

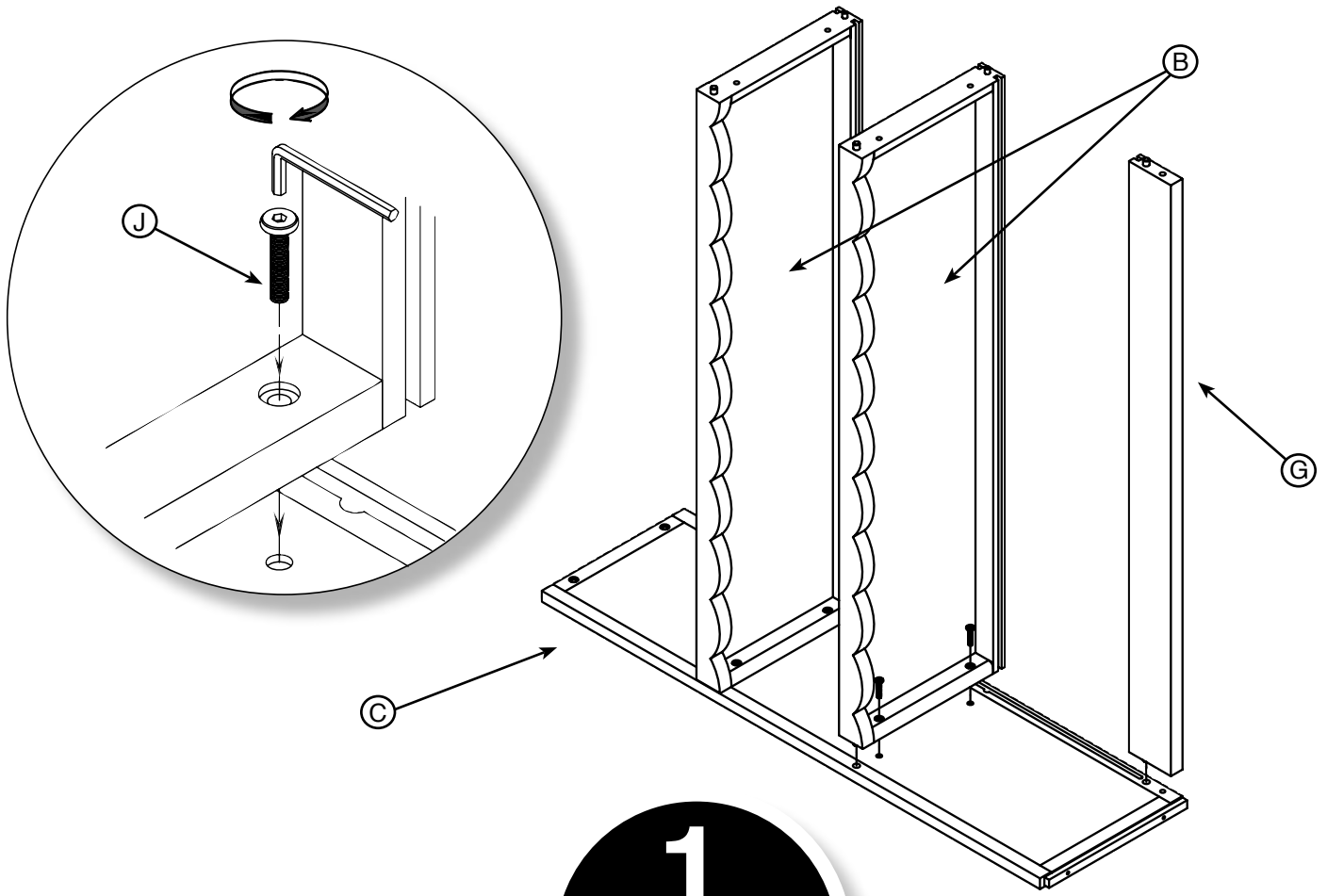


K

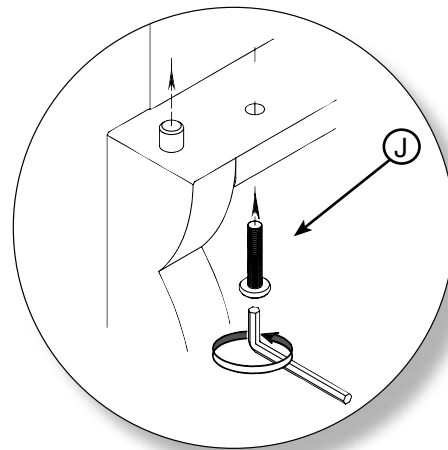
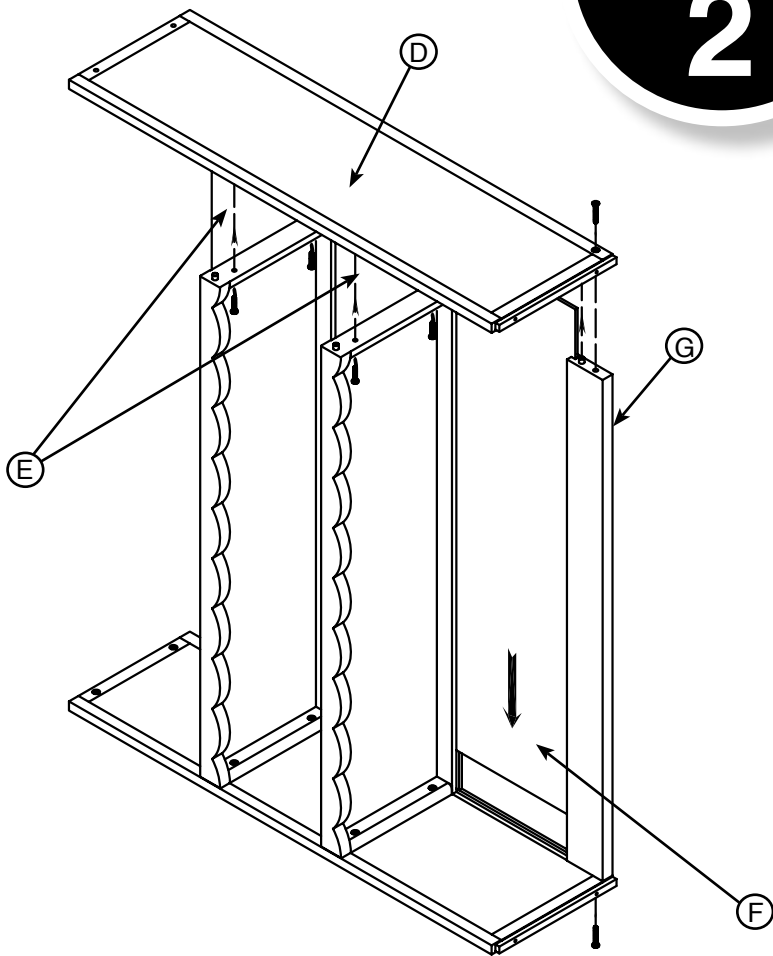


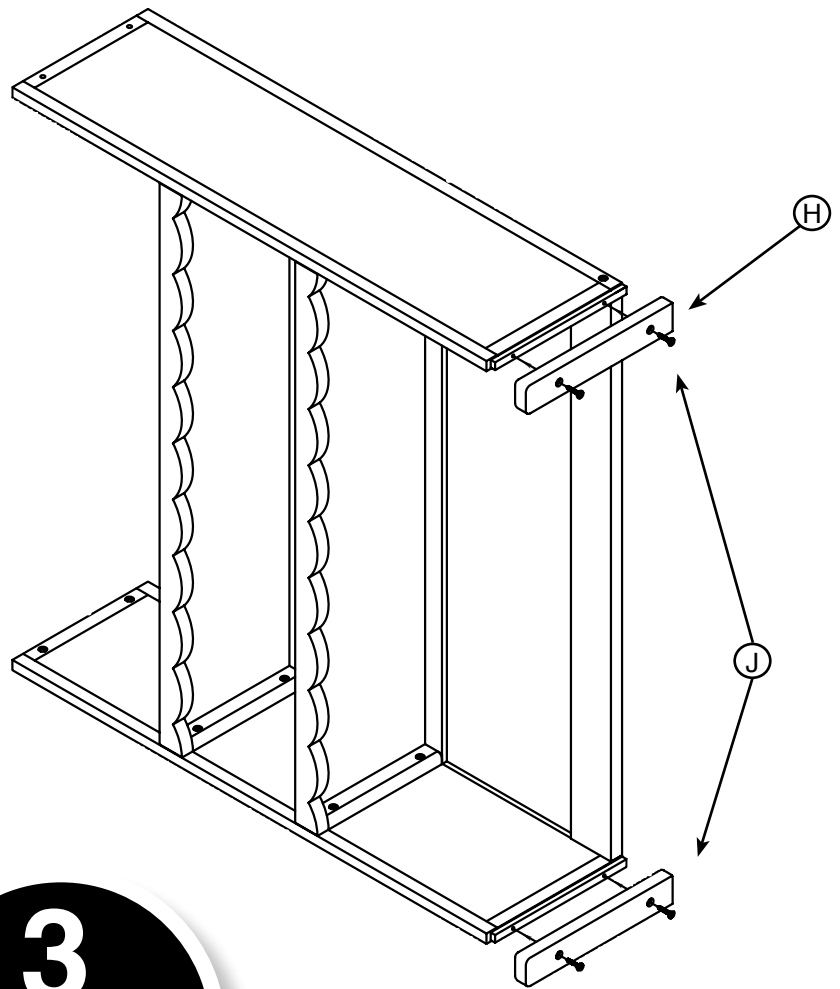
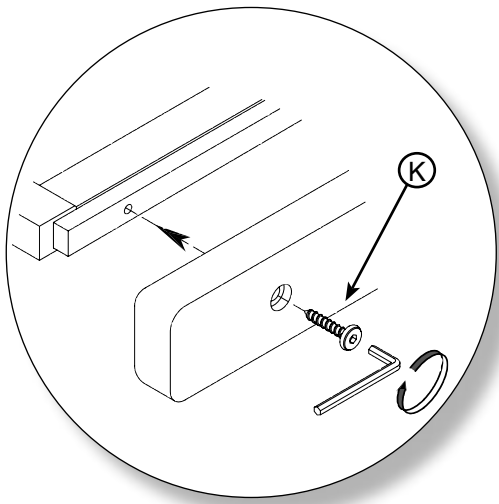
M

I	Long machine screws	2
J	Short machine screws	8
K	Hex wood screws	10
L	Phillips wood screws	2
M	Metal brackets	2
N	Hex key	1



1
2





Maintenance:

Periodically inspect the hutch for loose joints, missing parts or sharp edges. Discontinue using the hutch if any parts are missing or broken.

Cleaning:

If dirty, wipe the bookcase with a damp cloth.

Storage:

Store in a dry place.

