

AK-ADJUSTAMATIC FOOTBOARD ADAPTOR KIT INSTRUCTION SHEET

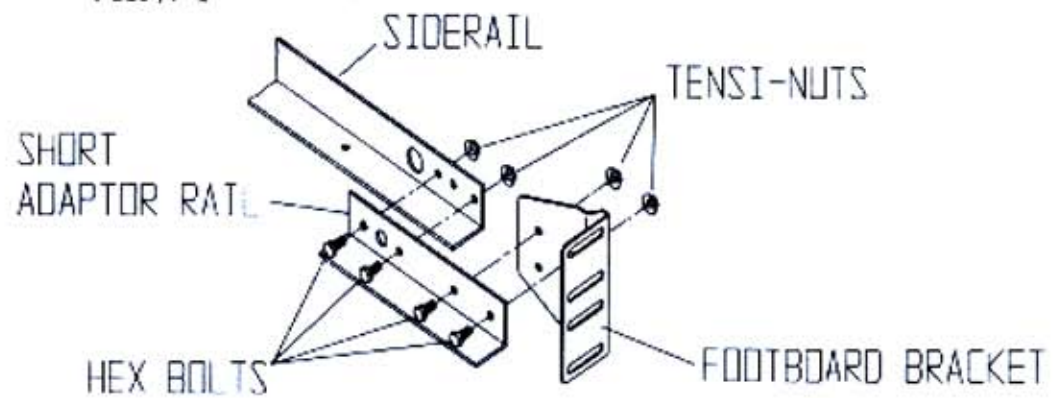
TWIN/FULL BEDDING:

Using hex bolts and tensi-nuts, attach short adaptor rail to siderail and attach footboard bracket to adaptor rail as shown in View 1. Tighten tensi-nuts. Repeat on opposite side.

This kit includes:

- 2- Short Adaptor Rails
- 2- Long Adaptor Rails
- 2- Footboard Brackets
- 8- Hex Bolts
- 8- Tensi-Nuts

VIEW 1



QUEEN/KING BEDDING:

Using hex bolts and tensi-nuts, attach long adaptor rail to siderail and attach footboard bracket to adaptor rail as shown in View 2. Tighten tensi-nuts. Repeat on opposite side.

VIEW 2

