

# Heritage

b a b y c r i b



This crib conforms to the standards of the U.S. Product Consumer safety commission.

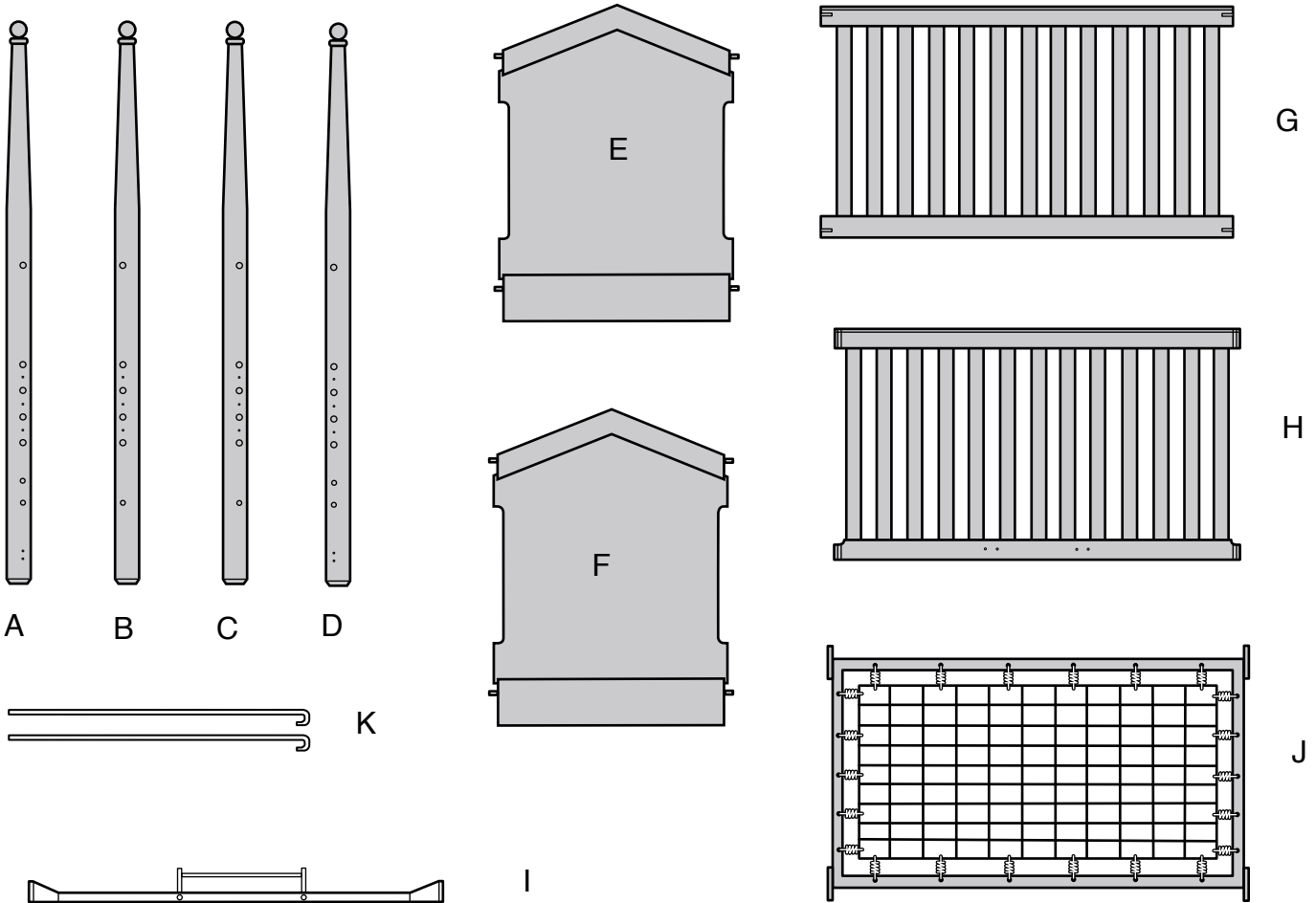


Model #  
MSH 1

www.brattdecor.com

All contents of these instructions are the sole property of Bratt Decor, Inc. and may not be reproduced in any way without the specific written agreement of Bratt Decor, Inc. Any violation of this will be prosecuted under the federal copyright laws.

# LARGE COMPONENTS



A	Corner Post	1	F	Right Panel	1
B	Corner Post	1	G	Back Piece	1
C	Corner Post	1	H	Front Gate	1
D	Corner Post	1	I	Stabilizer Bar	1
E	Left Panel	1	J	Mattress Support	1
			K	Slide Rods	2

## Mattress Positions:

Please use the following guidelines as set forth by the American Academy of Pediatrics to decide which level is appropriate for your child:

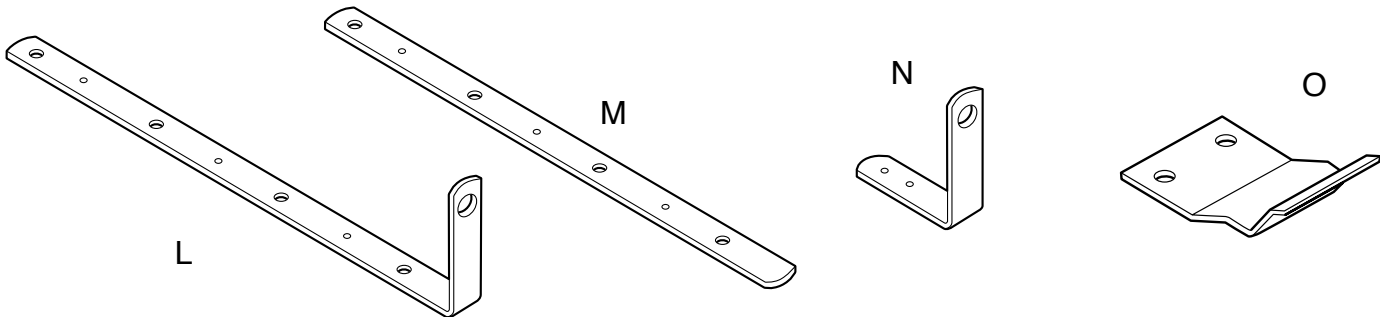
**LEVEL (1) highest position** To be used by newborns, until shortly before they can sit alone. Under no circumstances should the mattress support be in its highest position after the child can sit.

**LEVEL (2 or 3) middle positions** To be used by babies who can sit, until shortly before they can stand. Under no circumstances should the mattress support be in the middle position after the child can stand. Either position can be used, it is your preference.

**LEVEL (4) lowest position** The mattress support must be in its lowest position before the baby can stand.

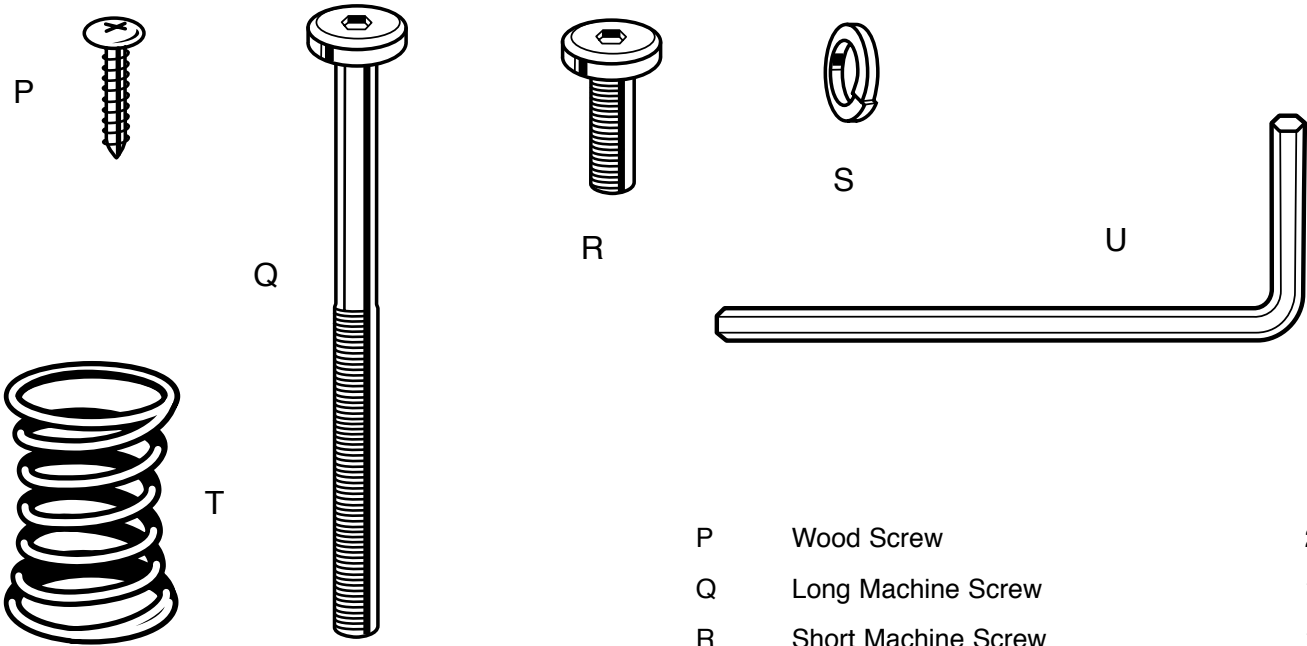
Under no circumstances should the child be allowed to use this crib when they reach 35 inches tall.

# SMALL COMPONENTS



# FASTENERS

shown actual size



L	Front Bracket	2
M	Back Bracket	2
N	L Bracket	2
O	Strike Plate	2

P	Wood Screw	20
Q	Long Machine Screw	12
R	Short Machine Screw	10
S	Split Washer	18
T	Spring	2

<b>Tools required</b>		
U	Hex Tool (provided)	1
	Phillips Head Screwdriver	

## Maintenance:

Once a week inspect the crib for any damaged hardware, loose joints, missing parts or sharp edges. Discontinue using the crib if any parts are missing or broken, contact Bratt Decor, Inc. for replacement parts if needed. Cleaning: if crib is dirty, wipe with a cloth dampened with warm water.

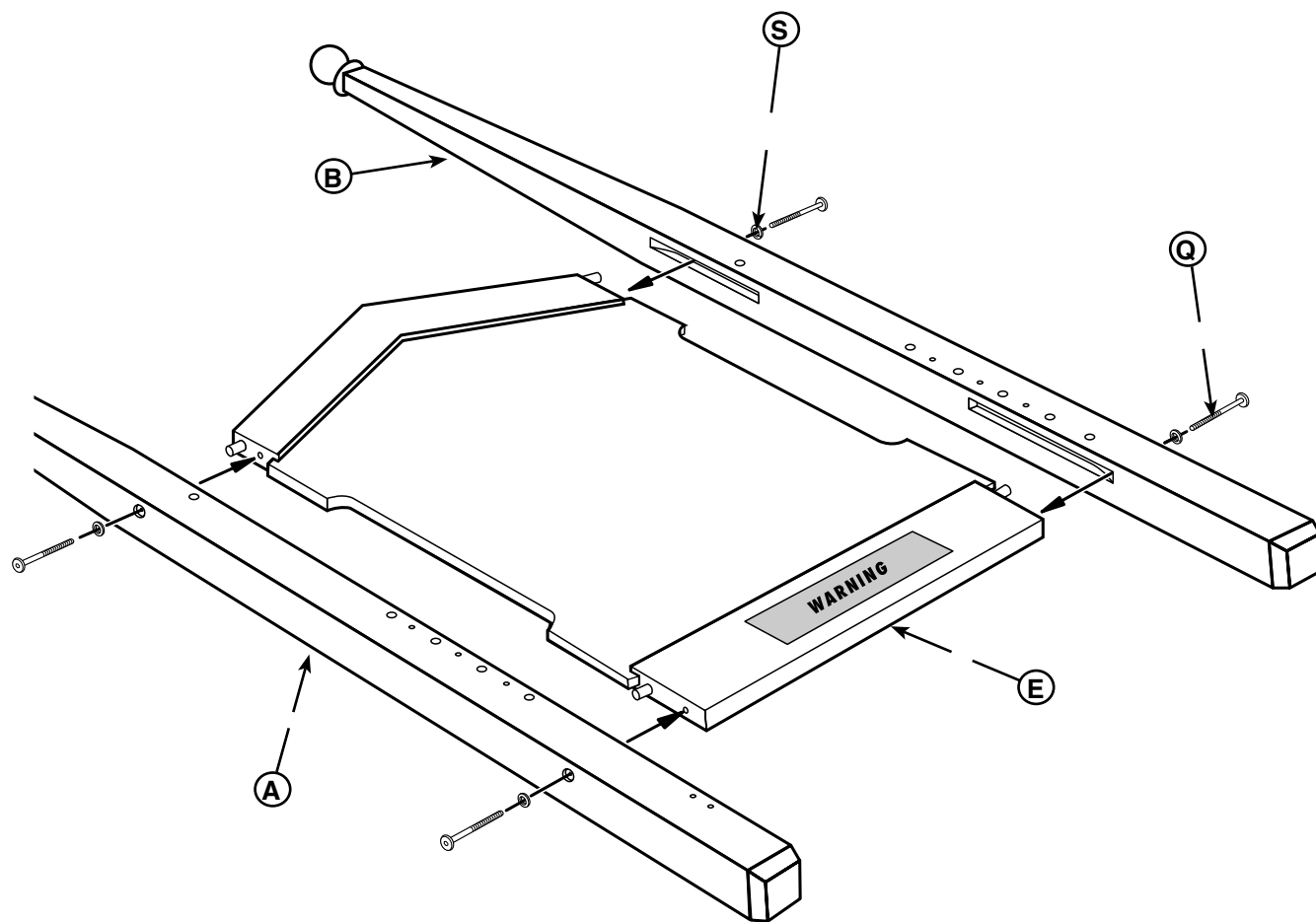
Do not use solvents. Storage: store in a dry place.

Warning: If this crib is not purchased new, do not use it until you have contacted Bratt Decor, Inc. to find out if the crib conforms to the current safety standards.

Place these assembly instructions and the hex tool in the bag provided on the mattress support. You will need these assembly instructions every time you assemble this crib.

Note: All pilot holes have been precisely drilled.  
**DO NOT** drill any new holes during assembly.

**1**

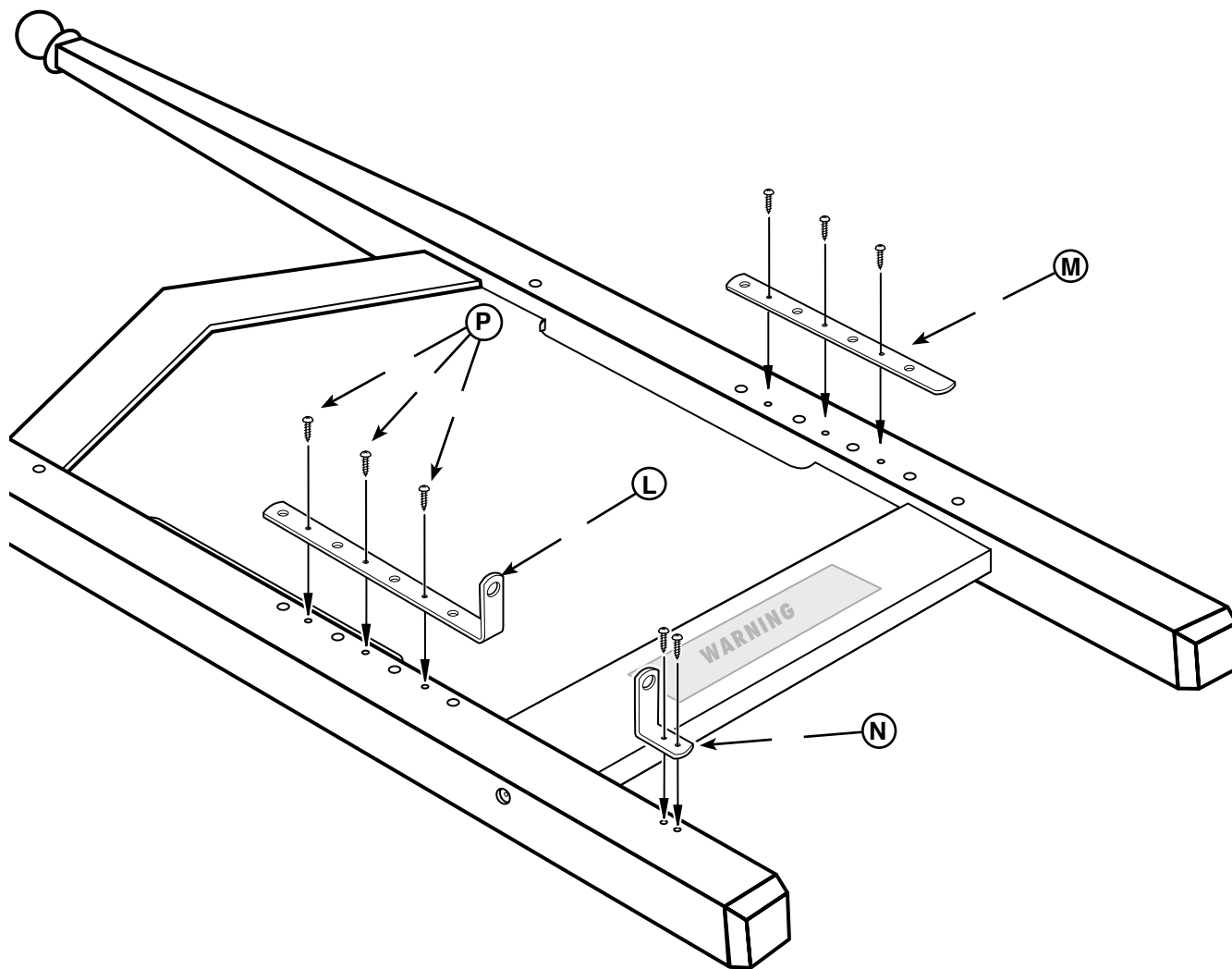


**Assembling the head board and foot board:**

Attach the Corner Posts (A & B), to the Left Panel (E) using 4 of the Long Machine Screws (Q) and Split Washers (S). Make sure the holes are on the top surface as shown. When installing the panel with the "Warning Label", make sure the label is on the upper surface as shown. Now repeat this process using Corner Posts (C & D) and Right Panel (F) to assemble the foot board.

Note: All pilot holes have been precisely drilled.  
DO NOT drill any new holes during assembly.

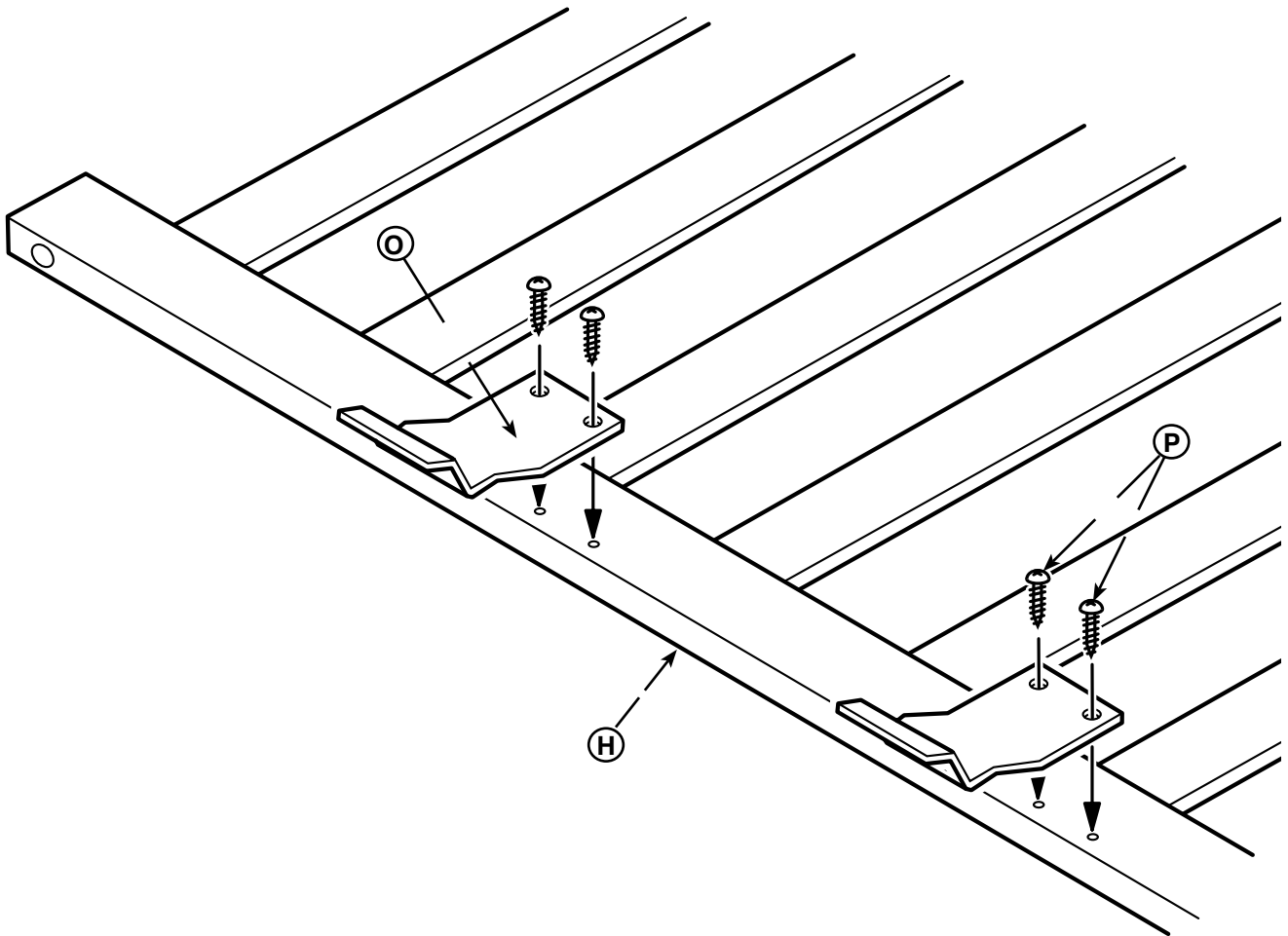
# 2



Attach the Front Bracket (L), the Back Bracket (M) and the L Bracket (N) to the assembled head board using 8 of the Wood Screws (P). Now repeat this for the assembled foot board.

Note: All pilot holes have been precisely drilled.  
**DO NOT** drill any new holes during assembly.

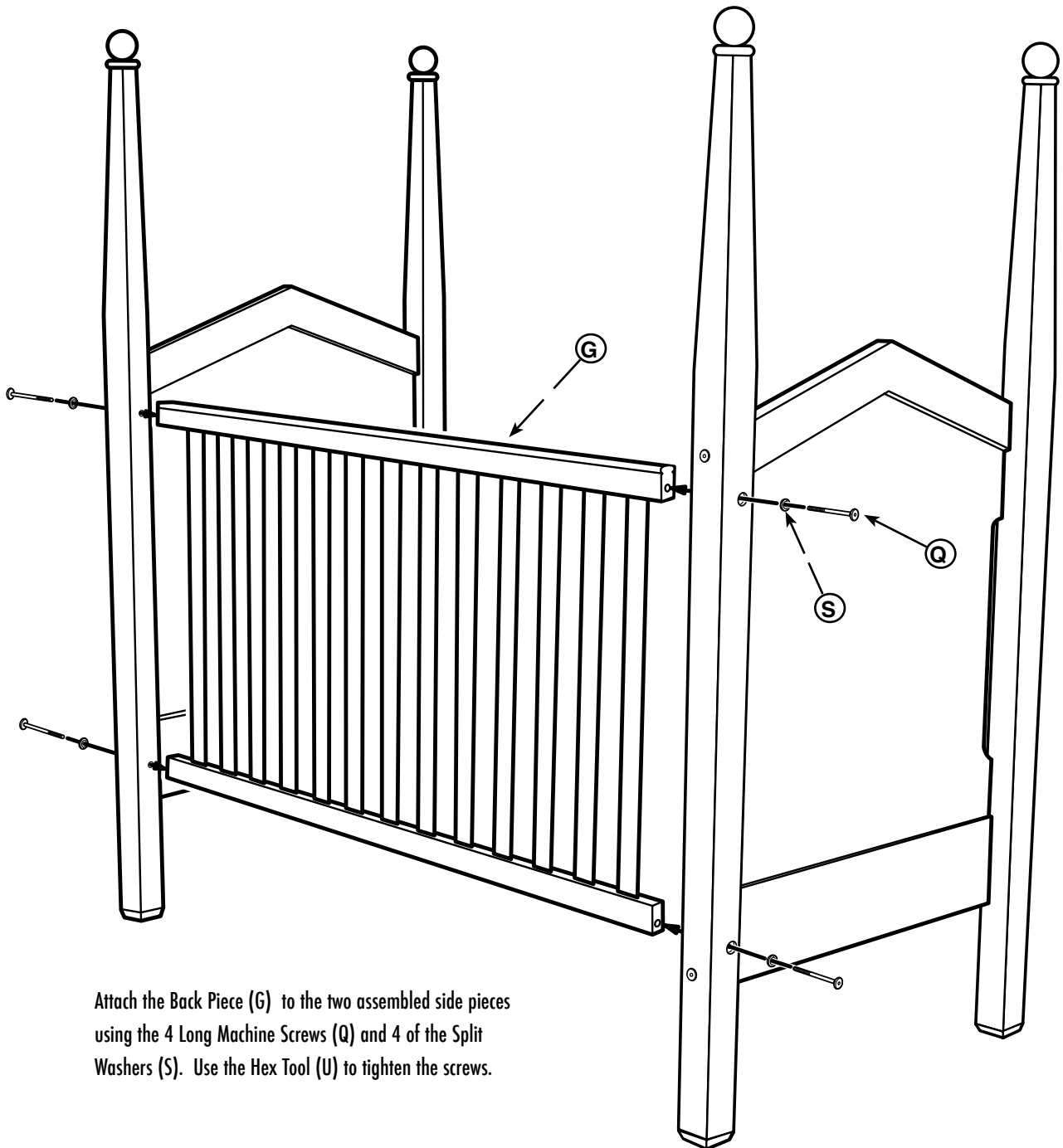
**3**



Attach the 2 Strike Plates (O) to the Front Gate (H) using 4 of the Wood Screws (P). Note, the pilot holes are pre-drilled.

Note: All pilot holes have been precisely drilled.  
**DO NOT** drill any new holes during assembly.

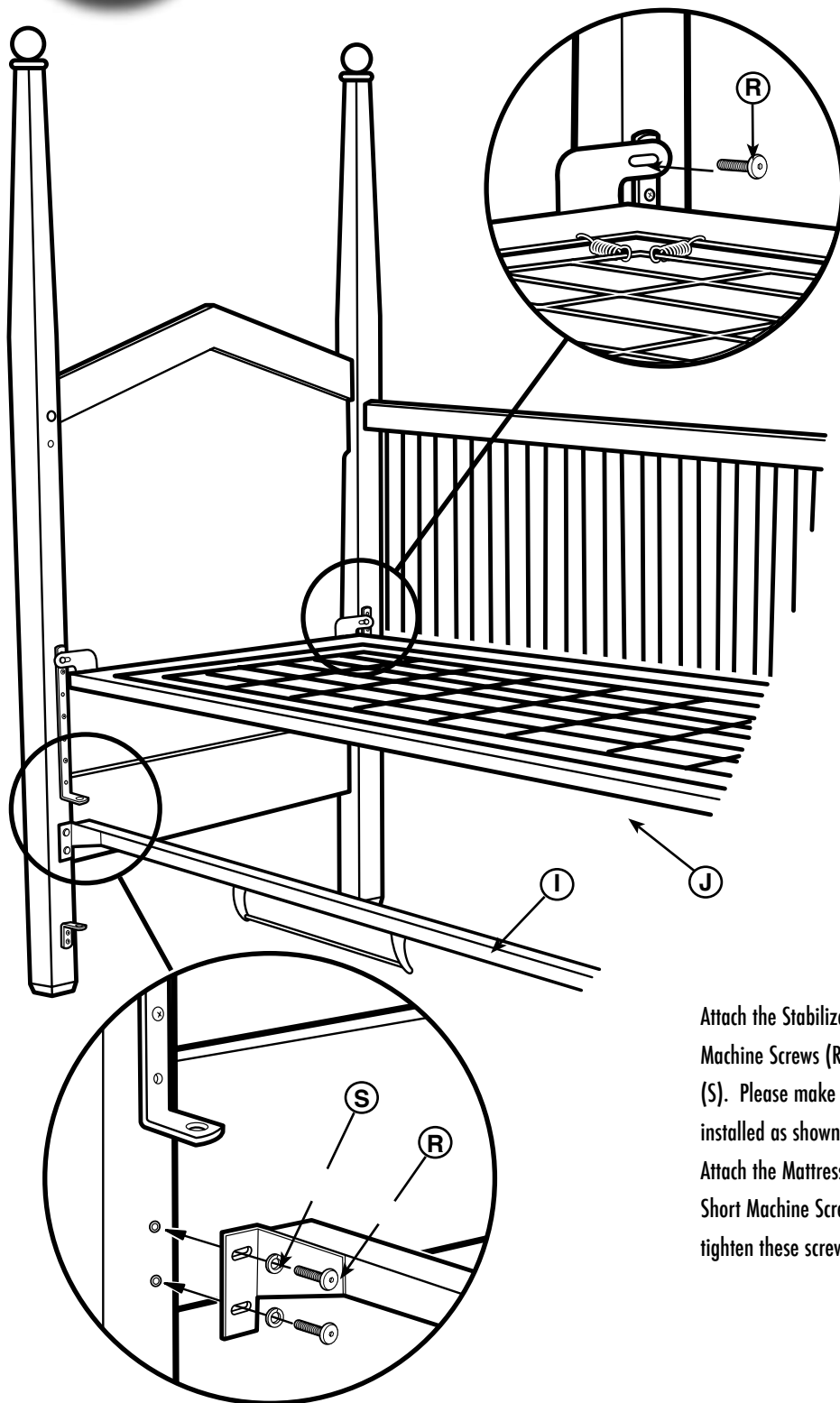
**4**



Attach the Back Piece (G) to the two assembled side pieces using the 4 Long Machine Screws (Q) and 4 of the Split Washers (S). Use the Hex Tool (U) to tighten the screws.

Note: All pilot holes have been precisely drilled.  
DO NOT drill any new holes during assembly.

5



For more information on the proper positions for the Mattress Support (J), please refer to the back of these instructions under the heading: "Mattress Positions"

**CAUTION:**

Under no circumstances should the child be allowed to use this crib when they reach 35 inches tall.

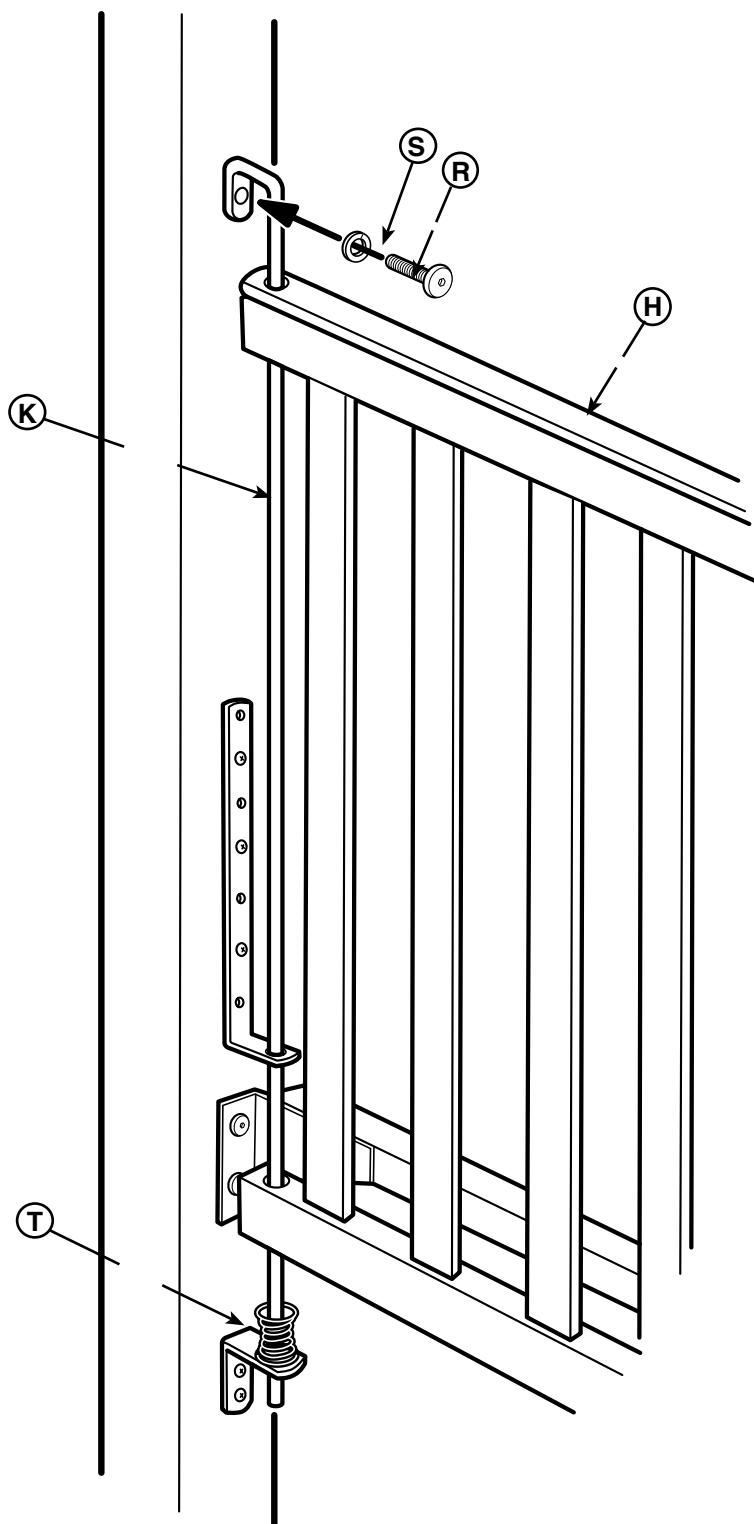
Attach the Stabilizer Bar (I) using 4 of the Short Machine Screws (R) and 4 of the Split Washers (S). Please make sure the Stabilizer Bar (I) is installed as shown.

Attach the Mattress Support (J) using 4 of the Short Machine Screws (R). Use the Hex Tool (U) to tighten these screws.



Note: All pilot holes have been precisely drilled.  
DO NOT drill any new holes during assembly.

6



Finally, install the Front Gate (H) as shown. Make sure that the Strike Plates (O) pointing inside the crib. Attach the slide rod using 1 Short Machine Screw (R) and 1 Split Washer (S). Now repeat on the other side.

### Raising and lowering the gate:

To lock the gate into the top position, simply raise the gate until it clicks.

To lower the gate, first lift the gate slightly, then depress the stabilizer bar with your foot while lowering the gate until it rests on the springs.

# WARNING:

FAILURE TO FOLLOW THESE WARNINGS AND ASSEMBLY INSTRUCTIONS COULD RESULT IN SERIOUS INJURY OR DEATH.

\* Read all instructions before assembling crib.

KEEP INSTRUCTIONS FOR FUTURE USE.

\* Before each usage or assembly, inspect crib for damaged hardware, loose joints, missing parts or sharp edges. DO NOT use crib if any parts are missing or broken. Ask your dealer or write to BRATT DECOR, INC. for replacement parts and instructional literature if needed. DO NOT substitute parts.

\* After raising side, make sure latches are secure.

\* When child is able to climb out or reaches the height of 35" (90 cm), the crib shall no longer be used.

\* DO NOT place crib near window where cords from blind or drapes may strangle a child.

\* If refinishing, use a non-toxic finish specified for children's products.

\* DO NOT leave child in crib with side lowered. Be sure side is in raised and locked position whenever child is in crib.

\* When child is able to pull to standing position, set mattress to lowest position and remove bumper pads, large toys and other objects that could serve as steps for climbing out.

\* Never use plastic shipping bags or other plastic film as mattress covers because they can cause suffocation.

\* DO NOT use a water mattress with this crib.

\* Replace teething rail if damaged or loose

# CAUTION:

It is extremely important to make sure all bolts and other fasteners are securely tightened and checked for tightness at least once a week.

# WARNING:

Strings can cause strangulation! Do not place items with a string around a child's neck, such as hood strings or pacifier cords. Do not suspend strings over a crib or attach strings to toys.

# CAUTION:

ANY MATTRESS USED IN THIS CRIB MUST BE AT LEAST 27 1/4 INCHES BY 51 5/8 INCHES WITH A THICKNESS NOT EXCEEDING 6 INCHES.