

joy

iron baby changer

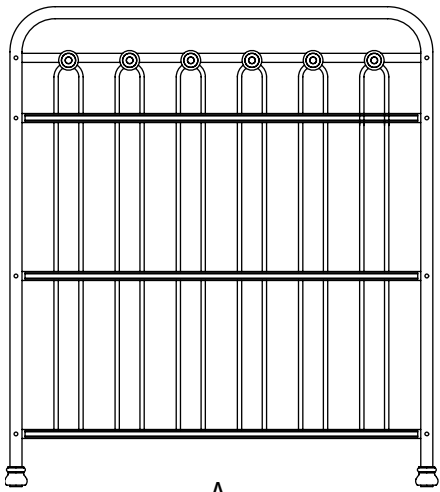


This changer conforms to the standards of the U.S. Consumer Product Safety Commission.

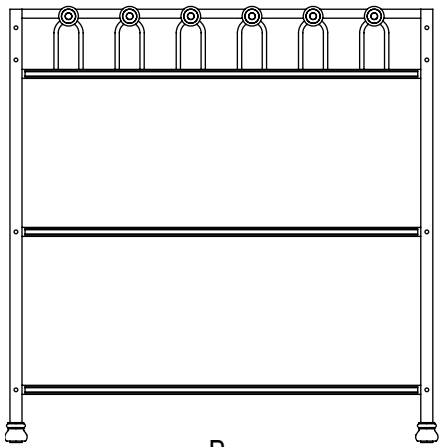


Model #
S B B - J Y 1 1 - 1
Made in China

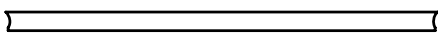
LARGE COMPONENTS AND FASTENERS



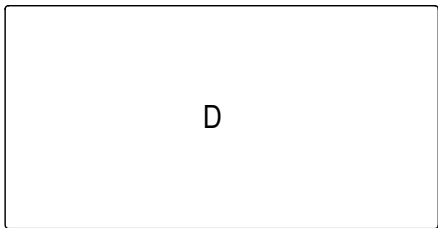
A



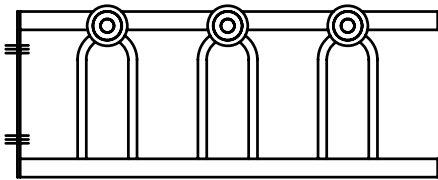
B



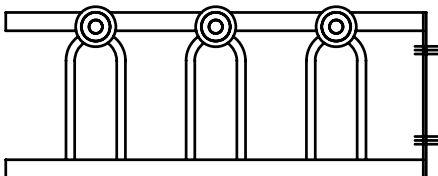
C



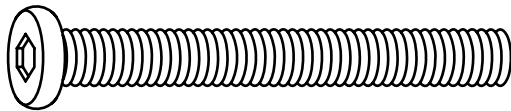
D



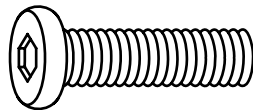
E



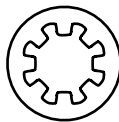
F



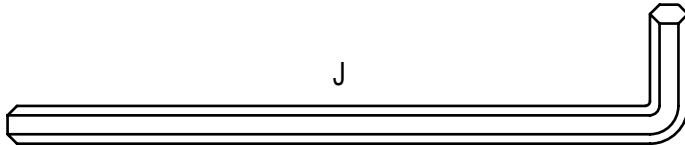
G



H

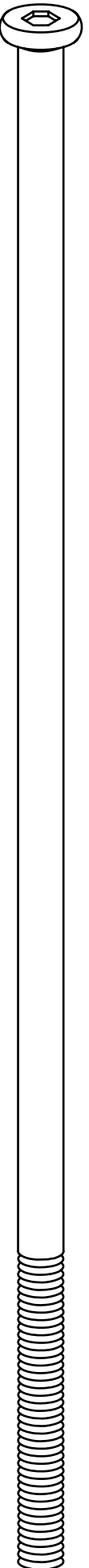


I



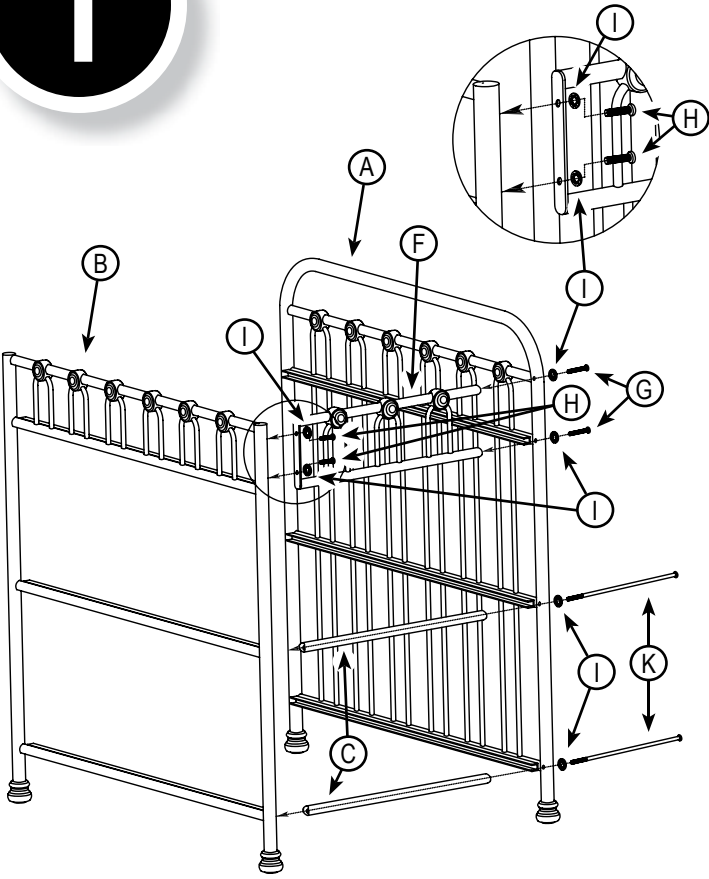
J

K

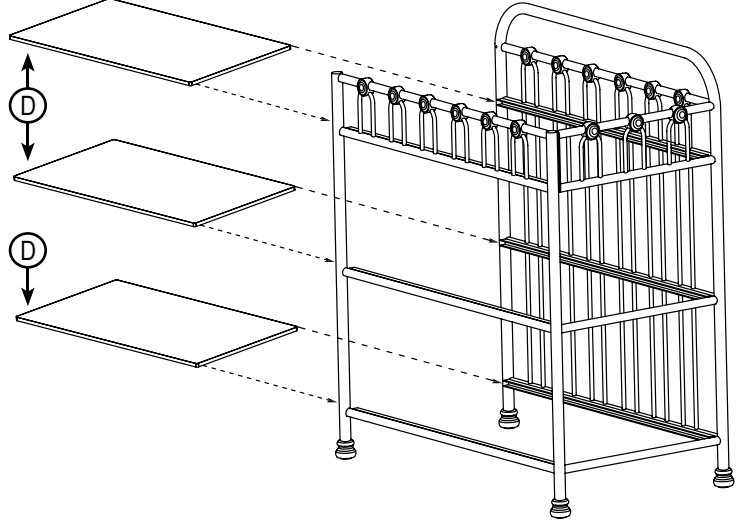


| | | |
|---|-------------------------------|----|
| A | Back Panel | 1 |
| B | Front Panel | 1 |
| C | Rails | 4 |
| D | Board | 3 |
| E | Left Panel | 1 |
| F | Right Panel | 1 |
| G | Long Hex Machine Screws | 4 |
| H | Short Hex Machine Screws | 4 |
| I | Star Washers | 12 |
| J | Hex Tool | 1 |
| K | Extra Long Hex Machine Screws | 4 |

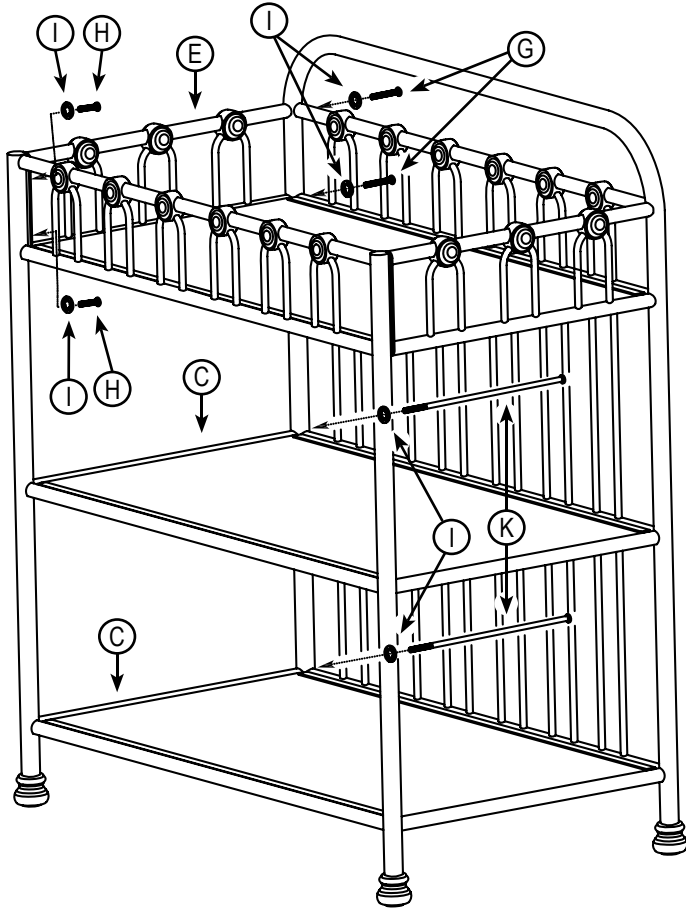
1



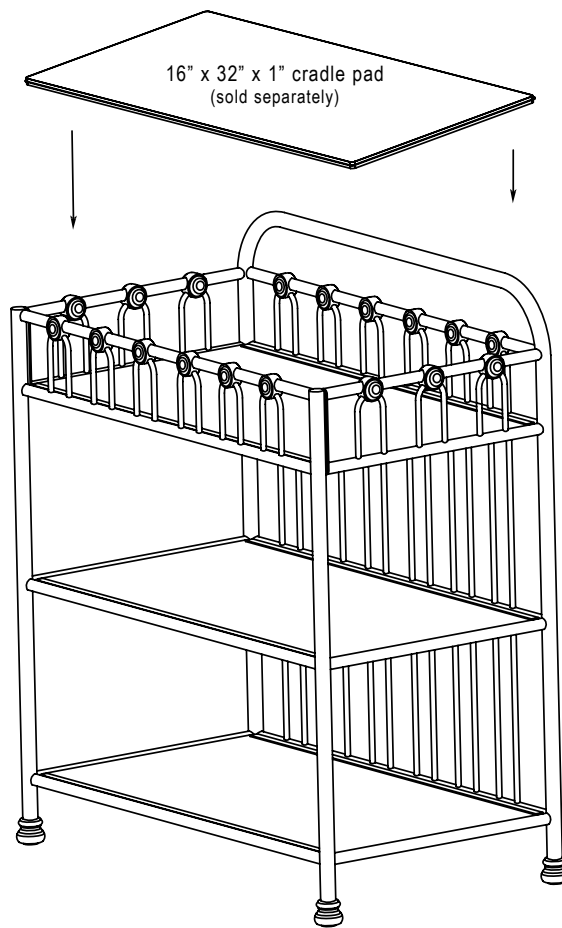
2



3



4



⚠ WARNING:

FAILURE TO FOLLOW THESE WARNINGS AND ASSEMBLY INSTRUCTIONS COULD RESULT IN SERIOUS INJURY OR DEATH.

- * Read all instructions before assembling changing table. KEEP INSTRUCTIONS FOR FUTURE USE.
- * **Fall Hazard:** To prevent death or serious injury, always keep child within arm's reach.
- * Stop using changing table when child reaches the weight of more than 35 lbs (13.6 kgs).
- * Check this product for damaged hardware, loose joints, loose bolts or other fasteners, missing parts or sharp edges before and after assembly and frequently during use. Securely tighten loose bolts and other fasteners. DO NOT use changing table if any parts are missing, damaged or broken. Contact Bratt Decor, Inc. for replacement parts and instructional literature if needed. DO NOT substitute parts.
- * This product is not intended to be used as a changing table without a standard 16" x 32" x 1" changing pad. Use of this product without this may result in death or serious injury to your child from falling. Follow all instructions on attaching and using the standard 16" x 32" x 1" changing pad.
- * Please use a standard 16" x 32" x 1" changing pad.

MAINTENANCE:

Once a week inspect the changing table for any damaged hardware, loose joints, missing parts or sharp edges. Securely tighten and maintain all loose bolts and fasteners. Discontinue using the crib if any parts are missing or broken, contact Bratt Decor, Inc. for replacement parts if needed.

Cleaning: if changing table is dirty, wipe with a cloth dampened with warm water. Do not use solvents.

Storage: store in a dry place.

Warning: If this changing table is not purchased new, do not use it until you have contacted Bratt Decor, Inc. to find out if the changing table conforms to the current safety standards.

Parent should ensure a safe environment for the child by checking regularly, before placing the child in the product, that every component is properly and securely in place.